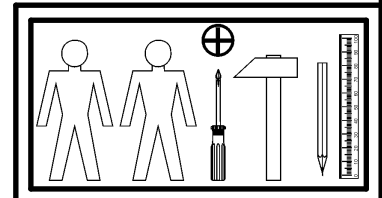
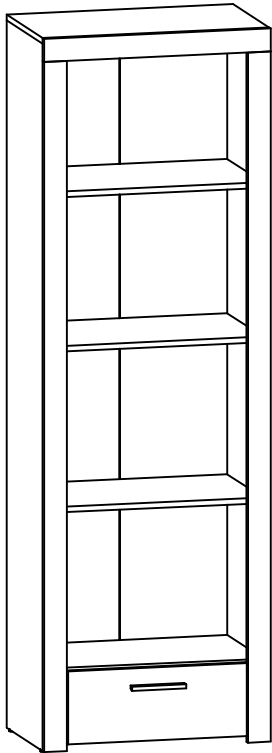
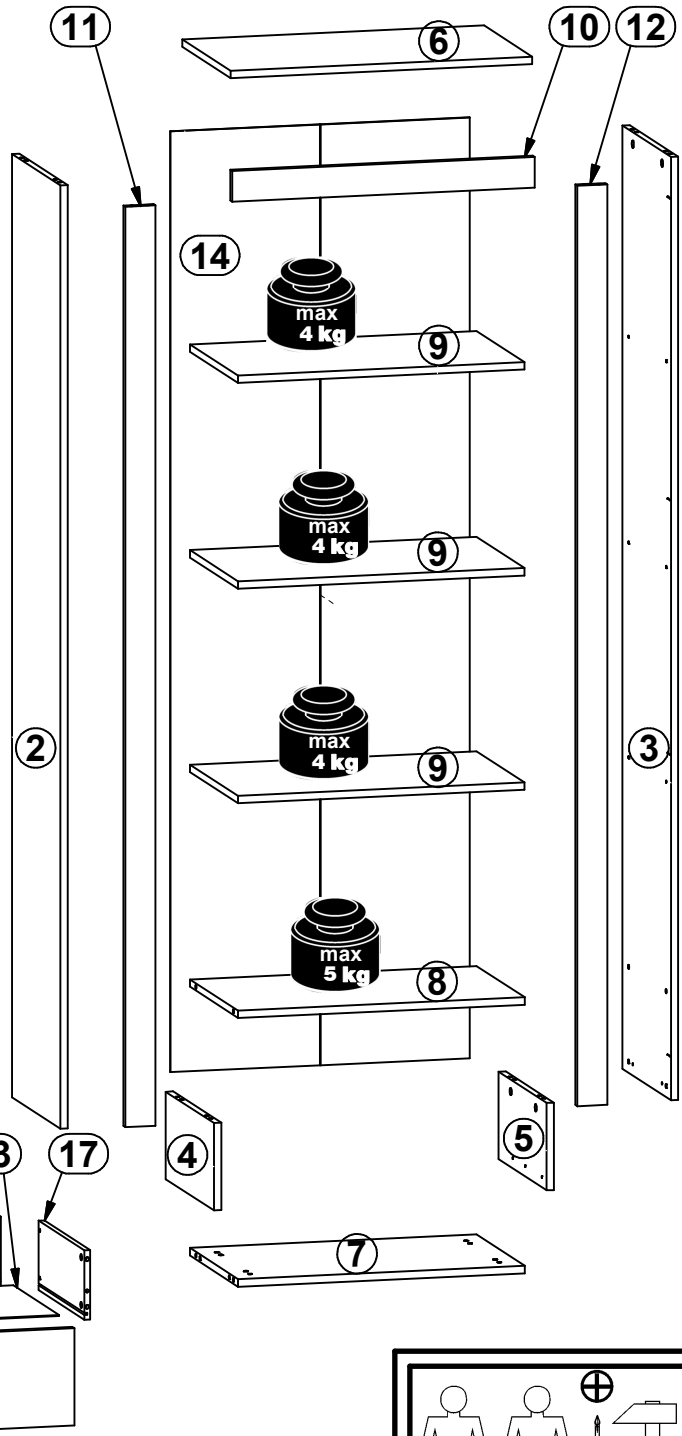
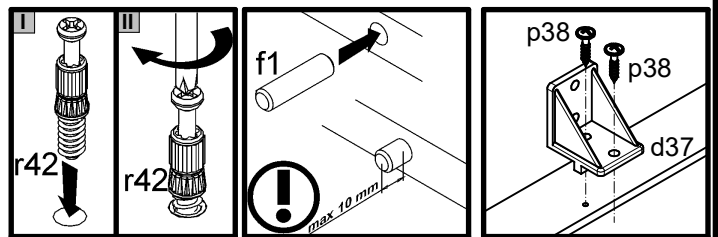
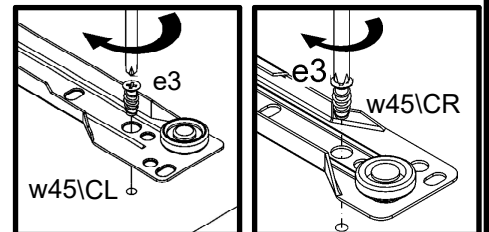
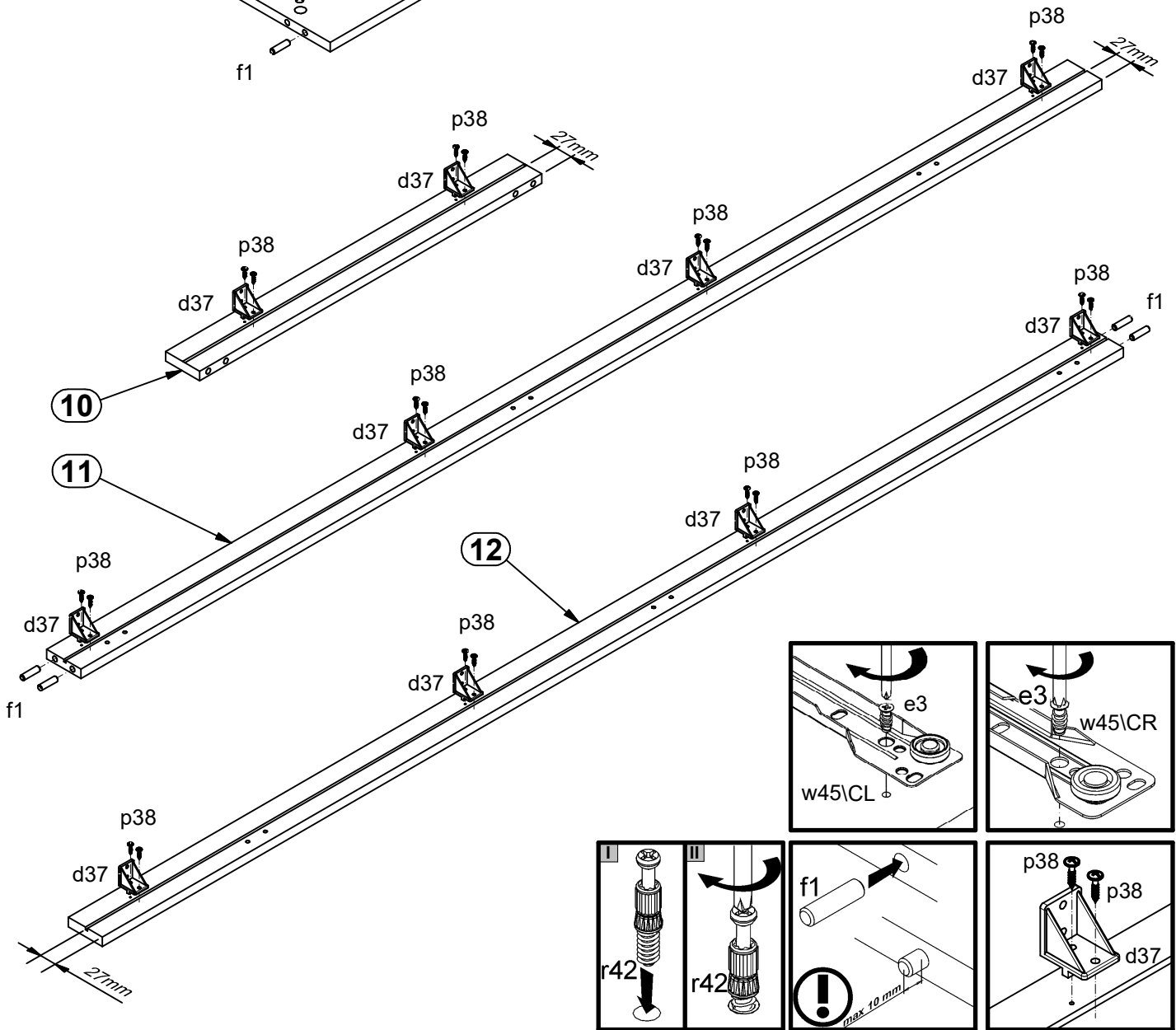
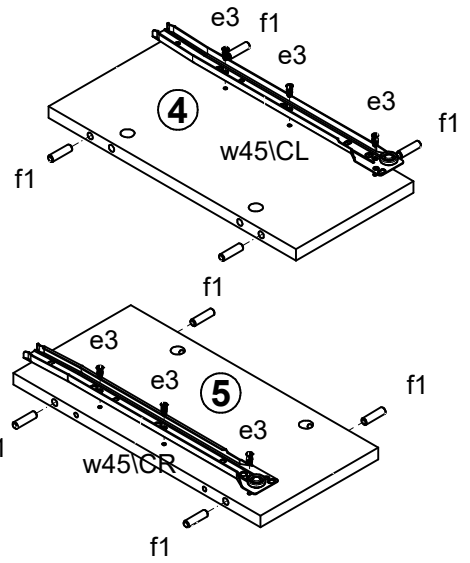
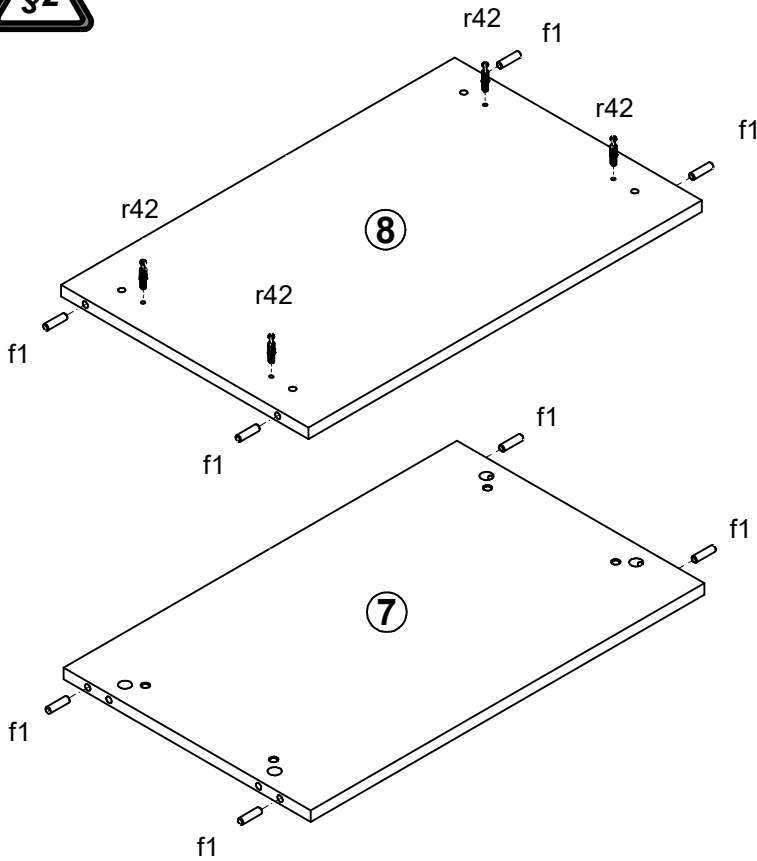


A	B	C	D	
1	S382-0011	490	196	3/3
2	S382-1019	1900	370	1/3
3	S382-1020	1900	370	1/3
4	S382-1021	176	370	1/3
5	S382-1022	176	370	1/3
6	S382-2006	620	370	2/3
7	S382-3011	589	370	2/3
8	S382-3012	589	370	2/3
9	S382-3014	588	368	2/3
10	S382-5015	621	62	1/3
11	S382-5016	1854	62	1/3
12	S382-5017	1854	62	1/3
13	S382-9006	458	348	2/3
14	S382-9303	1895	615	1/3
15	ZS4-5508	447	140	1/3
16	ZS6-501	350	140	1/3
17	ZS6-502	350	140	1/3

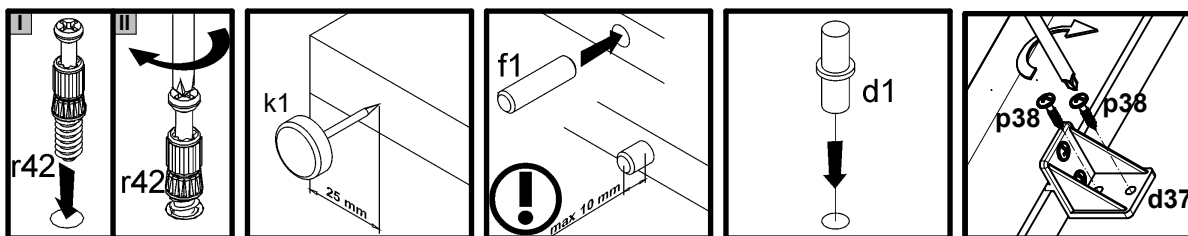
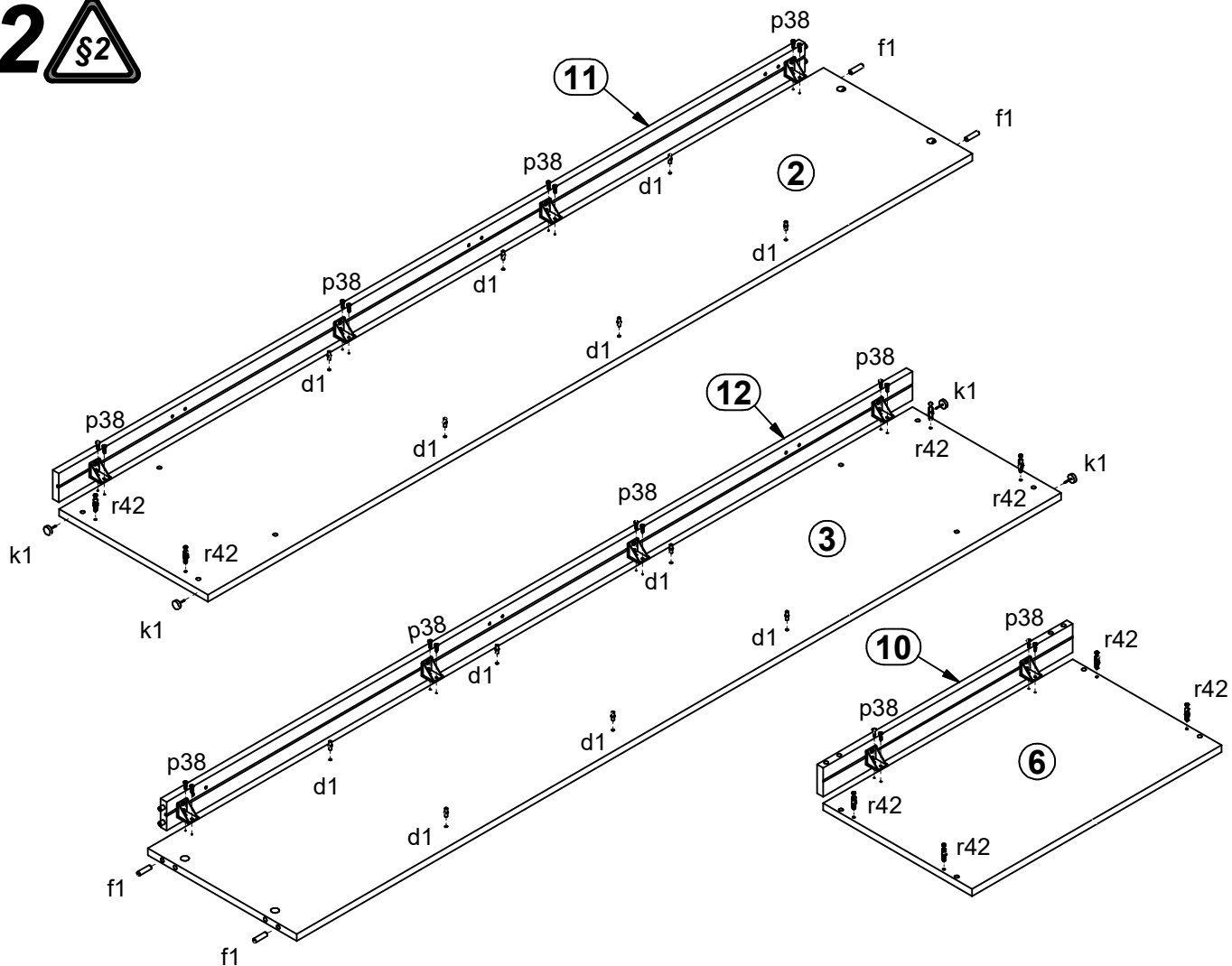


1x 123 mm c328	12x Ø5x17 mm d1	10x d37	4x Ø7x50 mm e1	6x Ø6x13 mm e3	4x Ø5x9 mm e19	24x Ø8x30 mm f1	2x Ø6x30 mm f9	4x Ø6.5x40 mm f25
4x k1	55x l1	40x Ø3.5x16 mm p38	2x Ø4x22 mm p60	12x Ø15x12 mm #16 r1	4x Ø12x10.5 mm #12 r15	16x 20/11 r42	1x 350 mm w45\CL	1x 350 mm w45\CR
1x 350 mm w45\DL	1x 350 mm w45\DR	4x Ø16 s2	1x 4 mm z1				1x n26\1	1x Ø3.5x16 mm p38

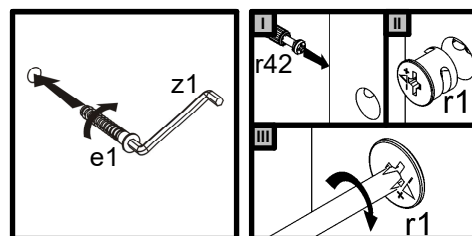
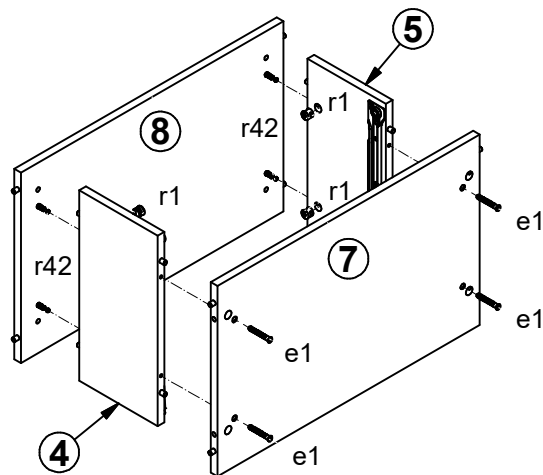
1 



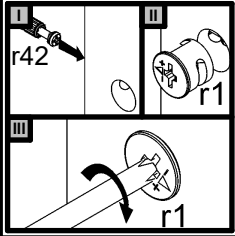
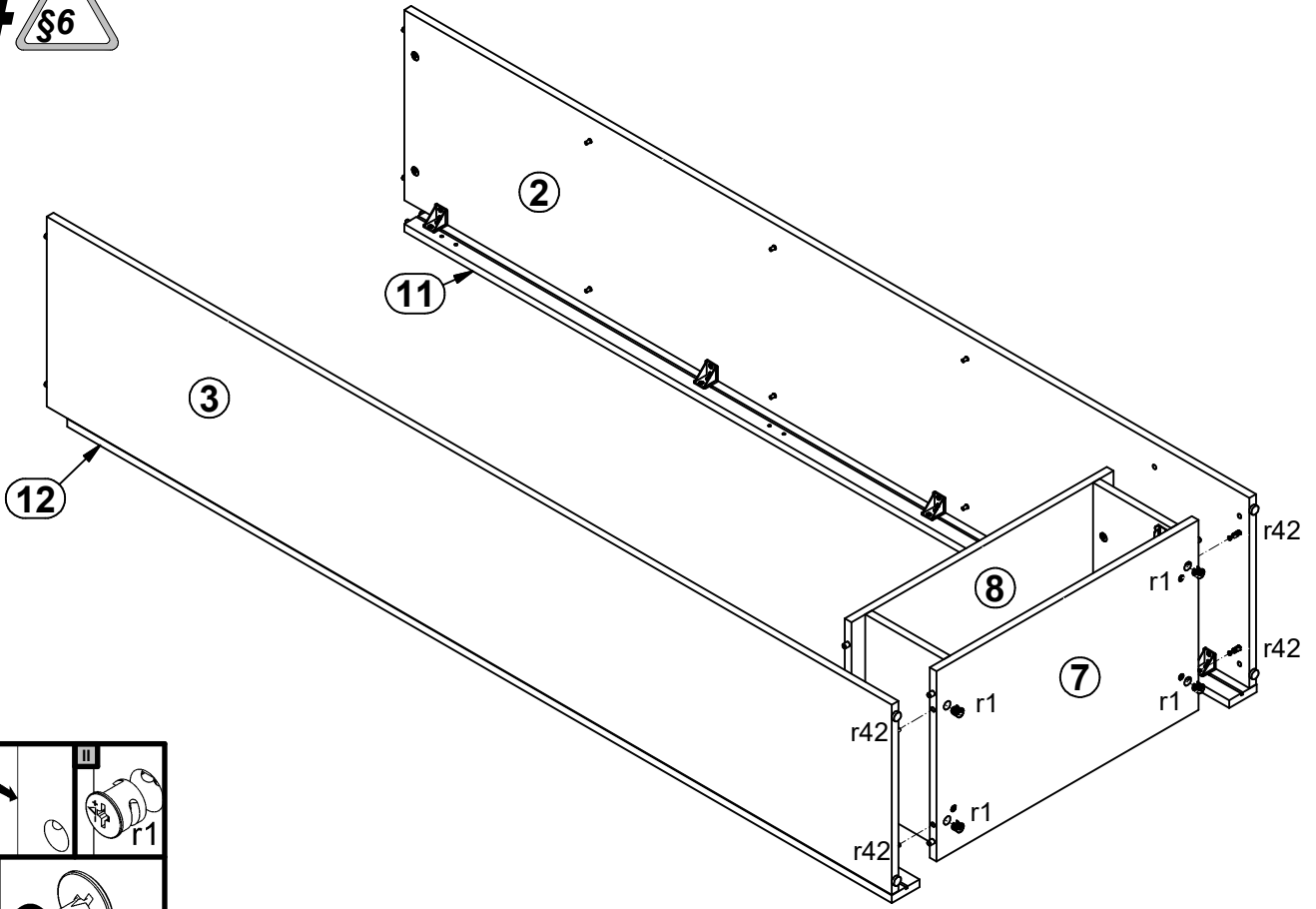
2



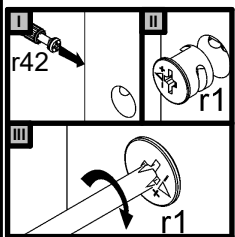
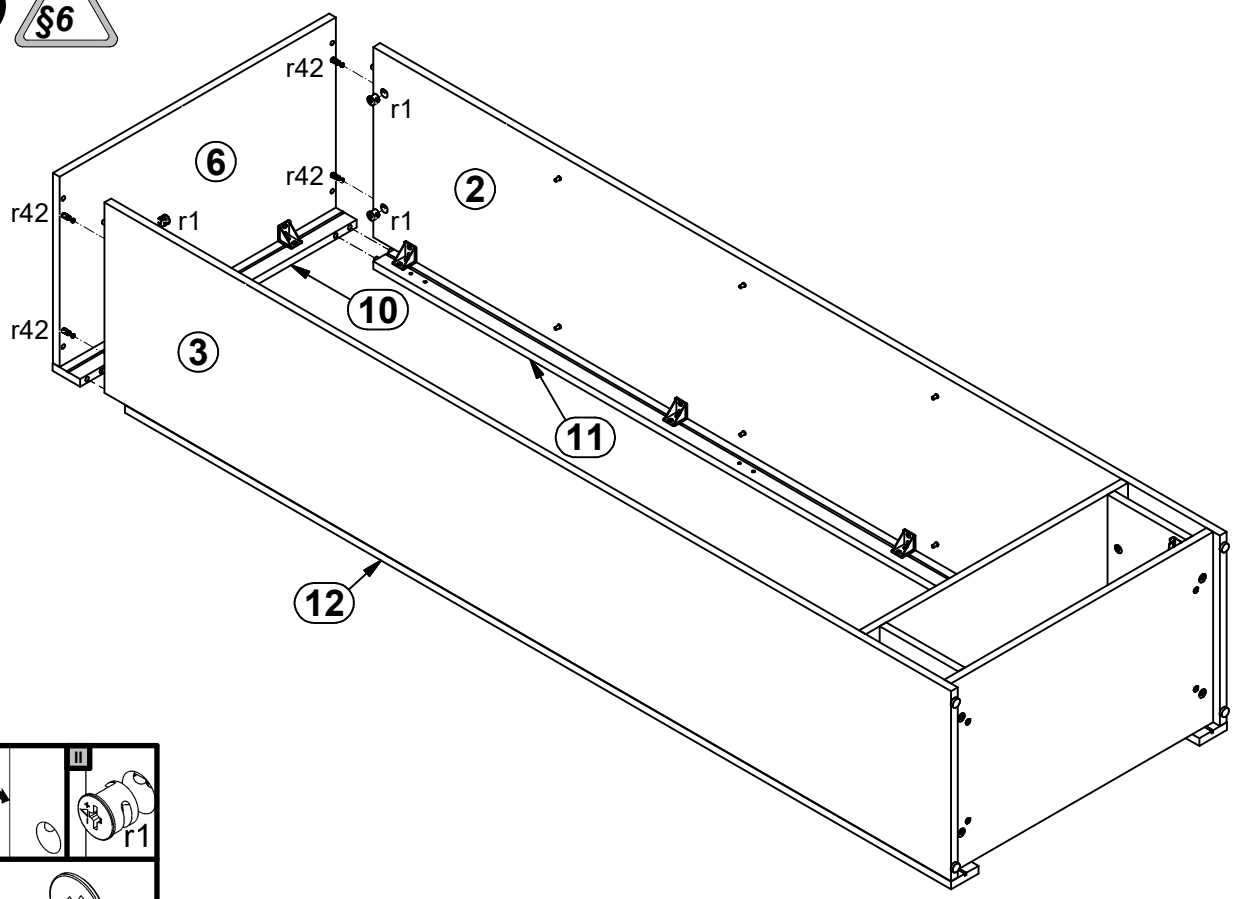
3

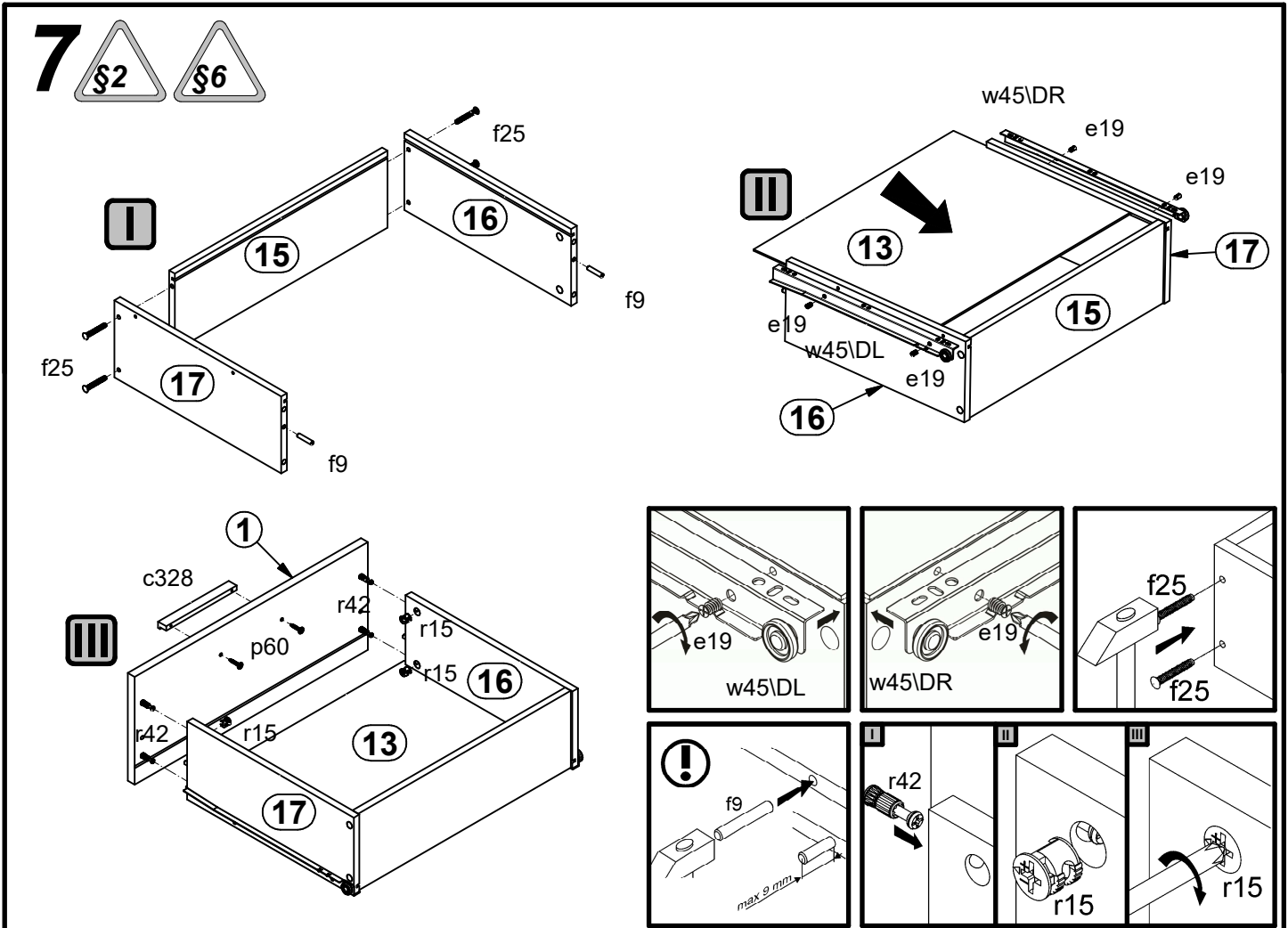
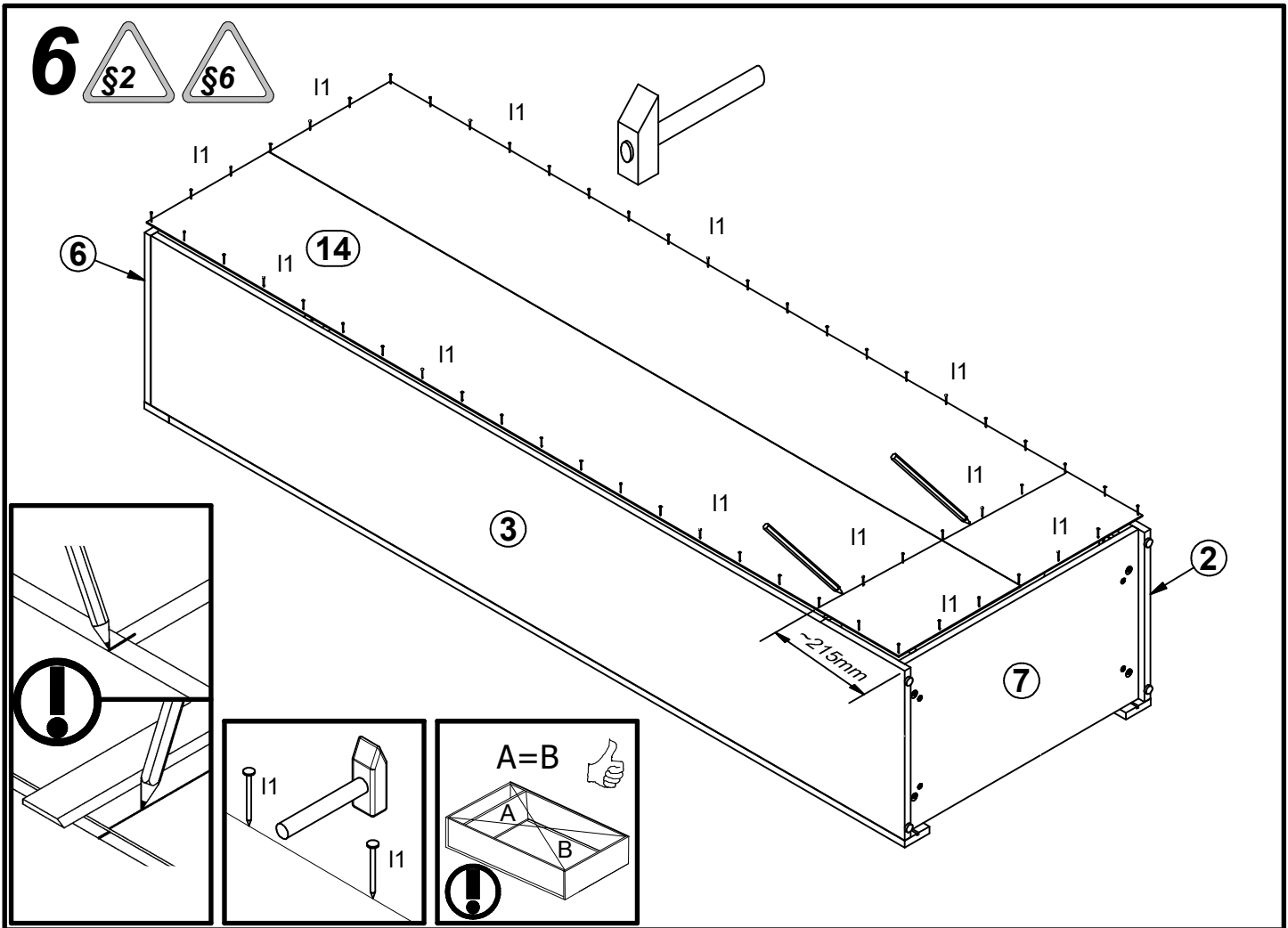


4



5





8

