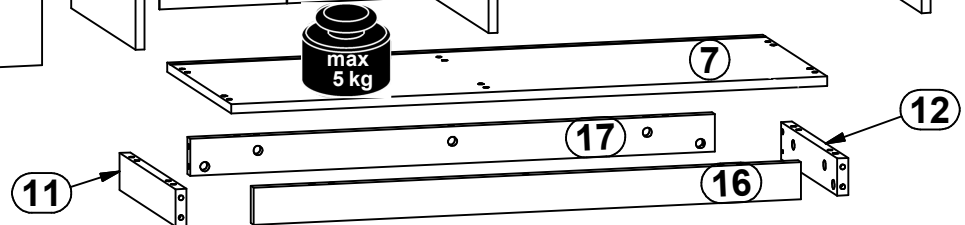
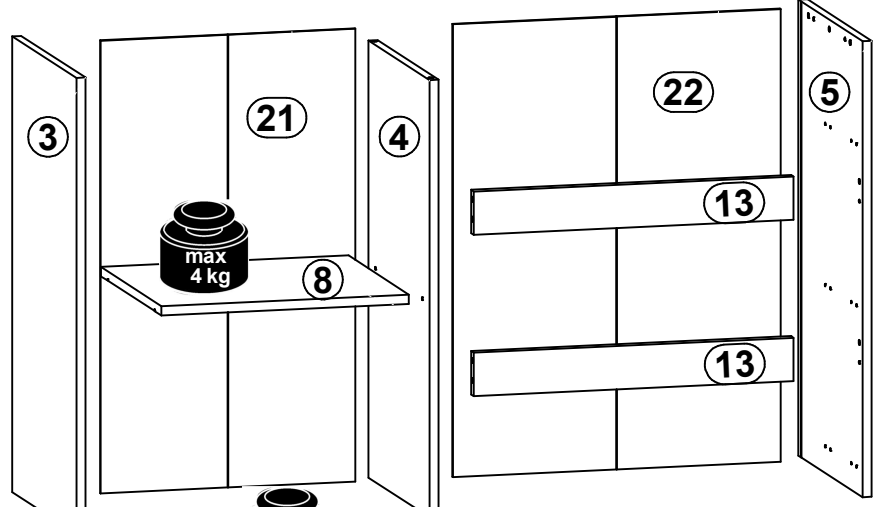
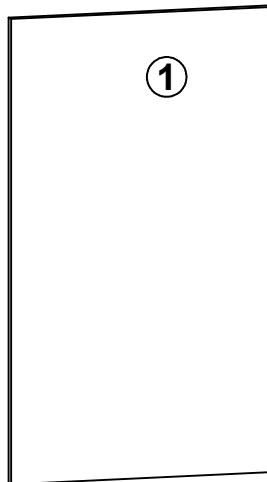
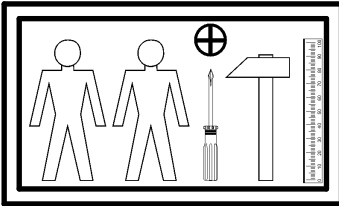
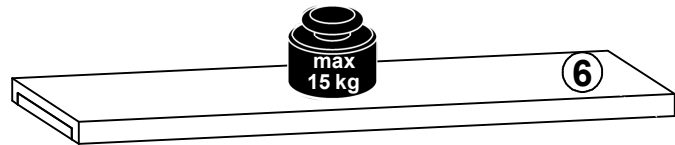
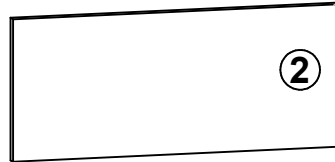
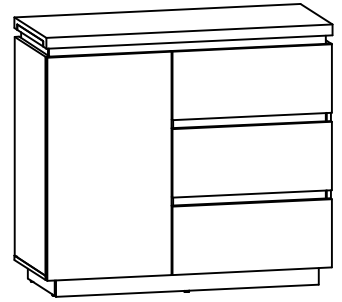
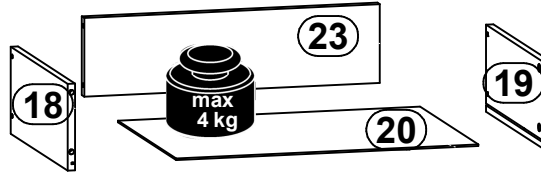


A	B	C	D
1	S426-0005	750	426, 2/2
2	S426-0006	546,	230 2/2
3	S426-1001	735	394 1/2
4	S426-1003	705	374 1/2
5	S426-1010	735	394 1/2
6	S426-2005	980,	410 1/2
7	S426-2006	980,	394 1/2
8	S426-3004	407,	370, 1/2
9	S426-4003	347	60 1/2
10	S426-4004	347	60 1/2
11	S426-4007	344	60 1/2
12	S426-4008	344	60 1/2
13	S426-4010	526,	70 1/2
14	S426-4011	948,	60 1/2
15	S426-4012	917,	60 1/2
16	S426-4013	900,	60 1/2
17	S426-4014	863,	60 1/2
18	S426-5051	350	140 1/2
19	S426-5052	350	140 1/2
20	S426-9004	497,	357 1/2
21	S426-9303	730	419, 1/2
22	S426-9304	730	539, 1/2
23	ZQ6-5002	486	127 1/2

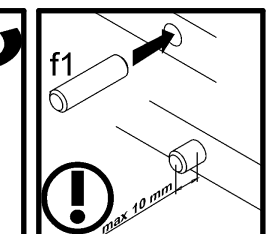
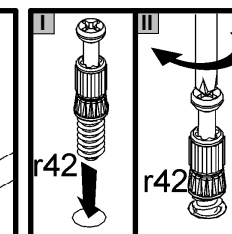
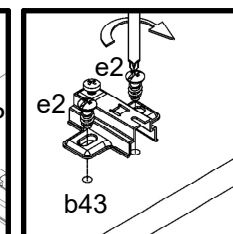
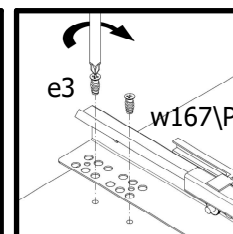
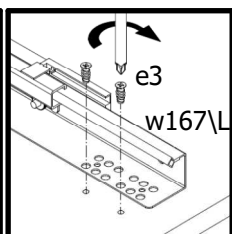
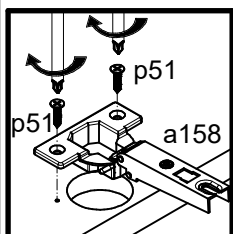
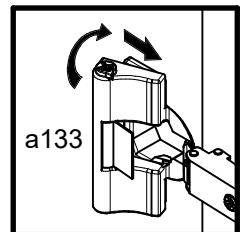
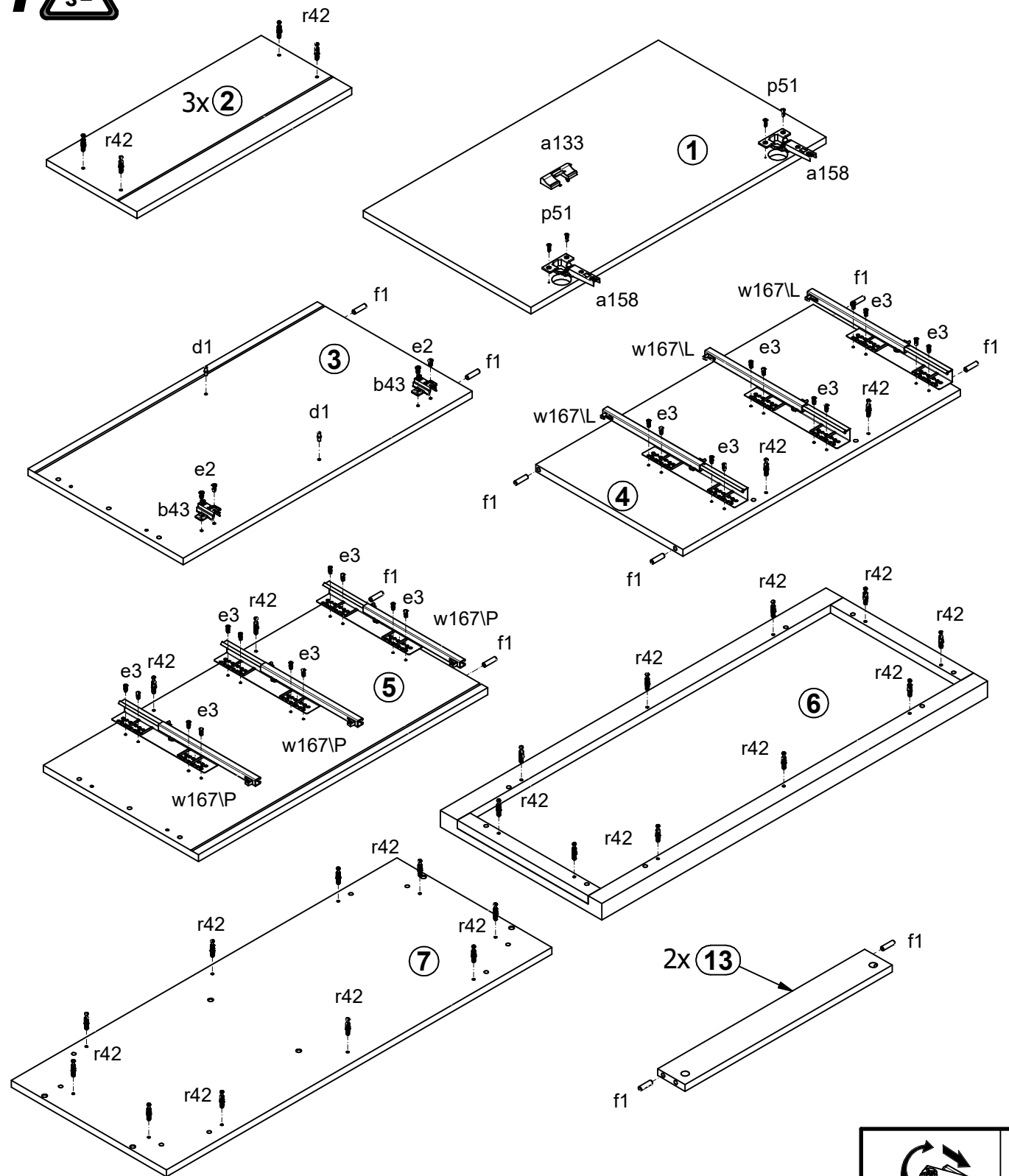


3x

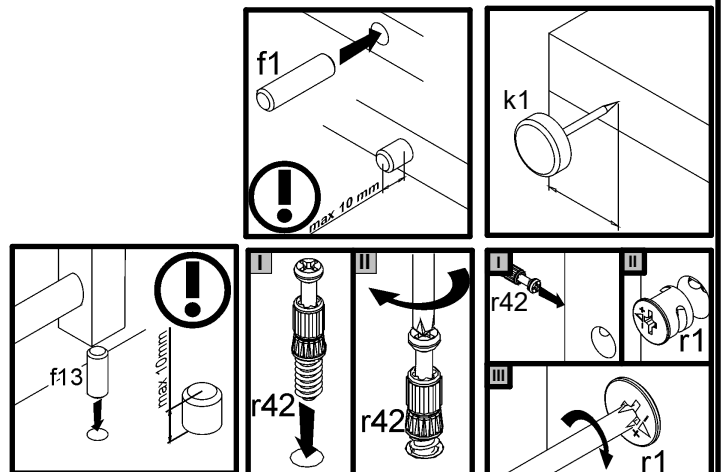
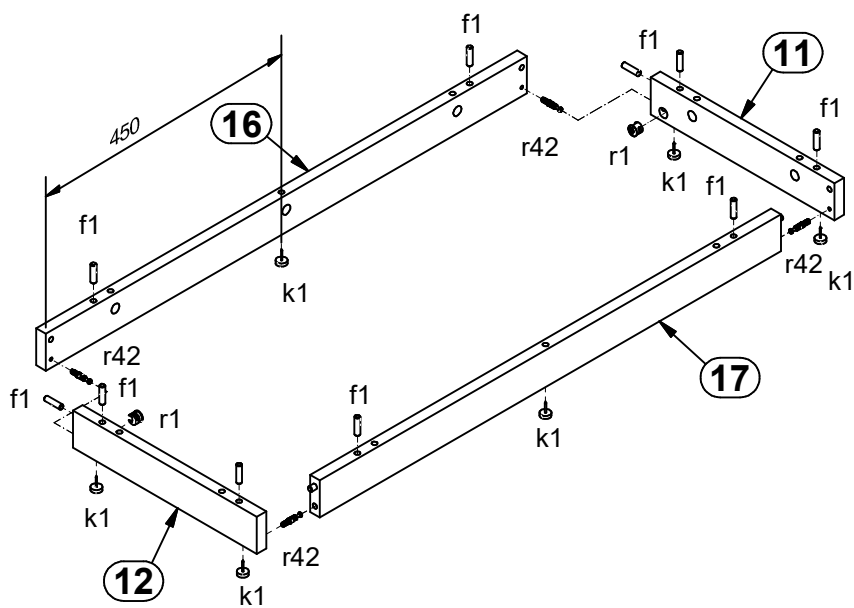
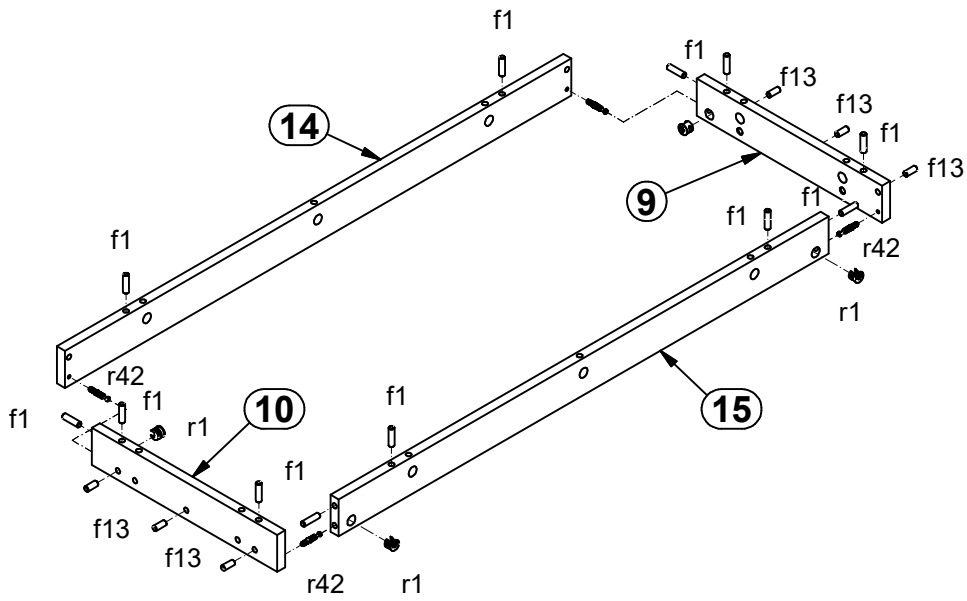


1x a133	2x a158	2x b43	4x d1	6x e1	4x e2	24x e3	4x e45	36x f1
6x f13	12x f25	6x k1	8x l2	4x n108	10x p38	4x p51	10x p55	8x p93
32x r1	12x r15	44x r42	3x w167L	3x w167P	2x s1	3x s2	1x z1	1x n26

1 §2

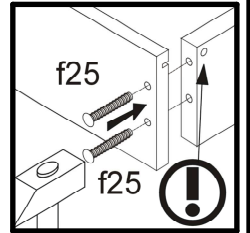
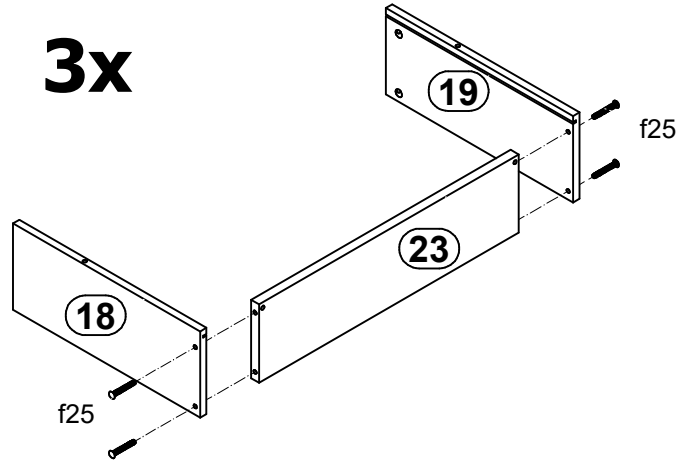


2



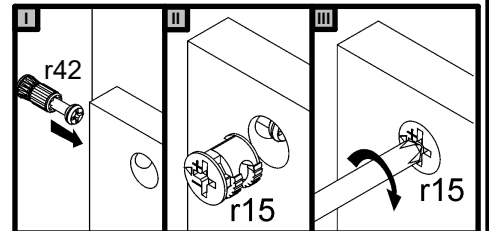
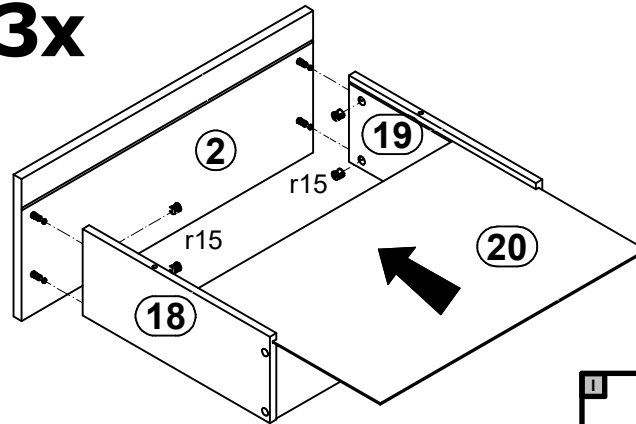
3

3x



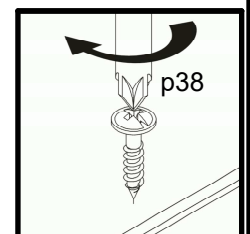
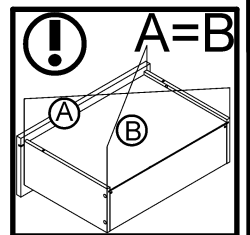
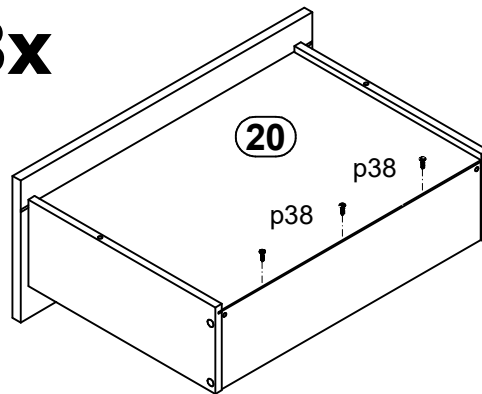
4

3x

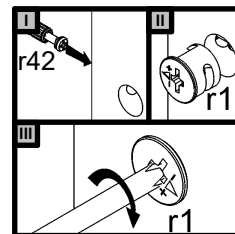
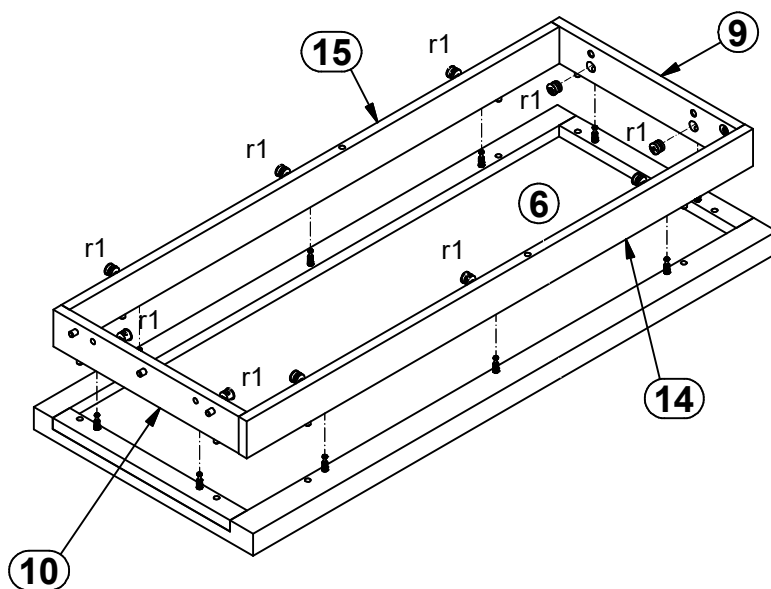


5

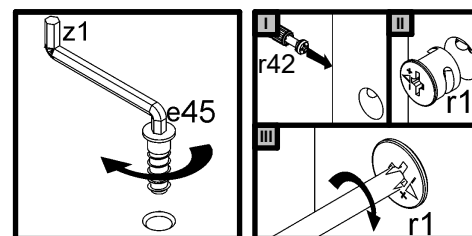
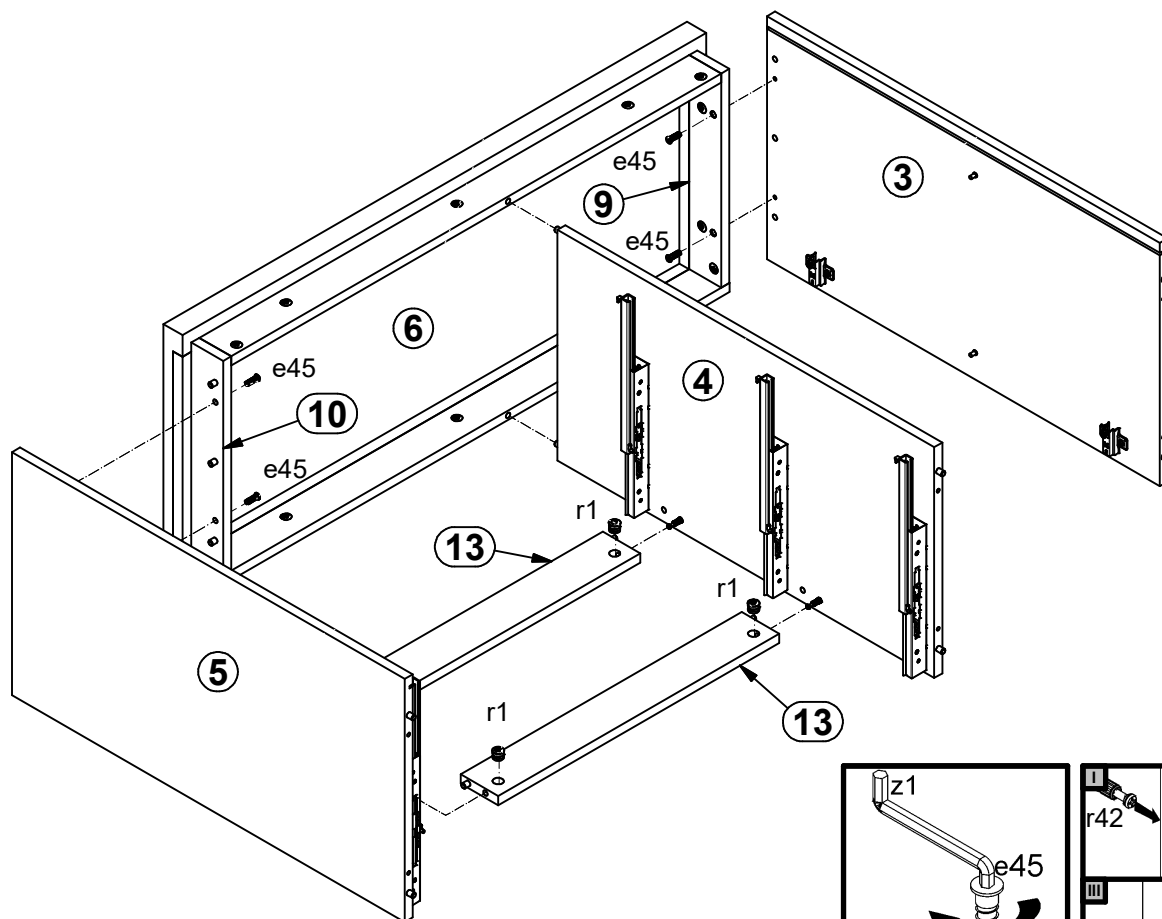
3x



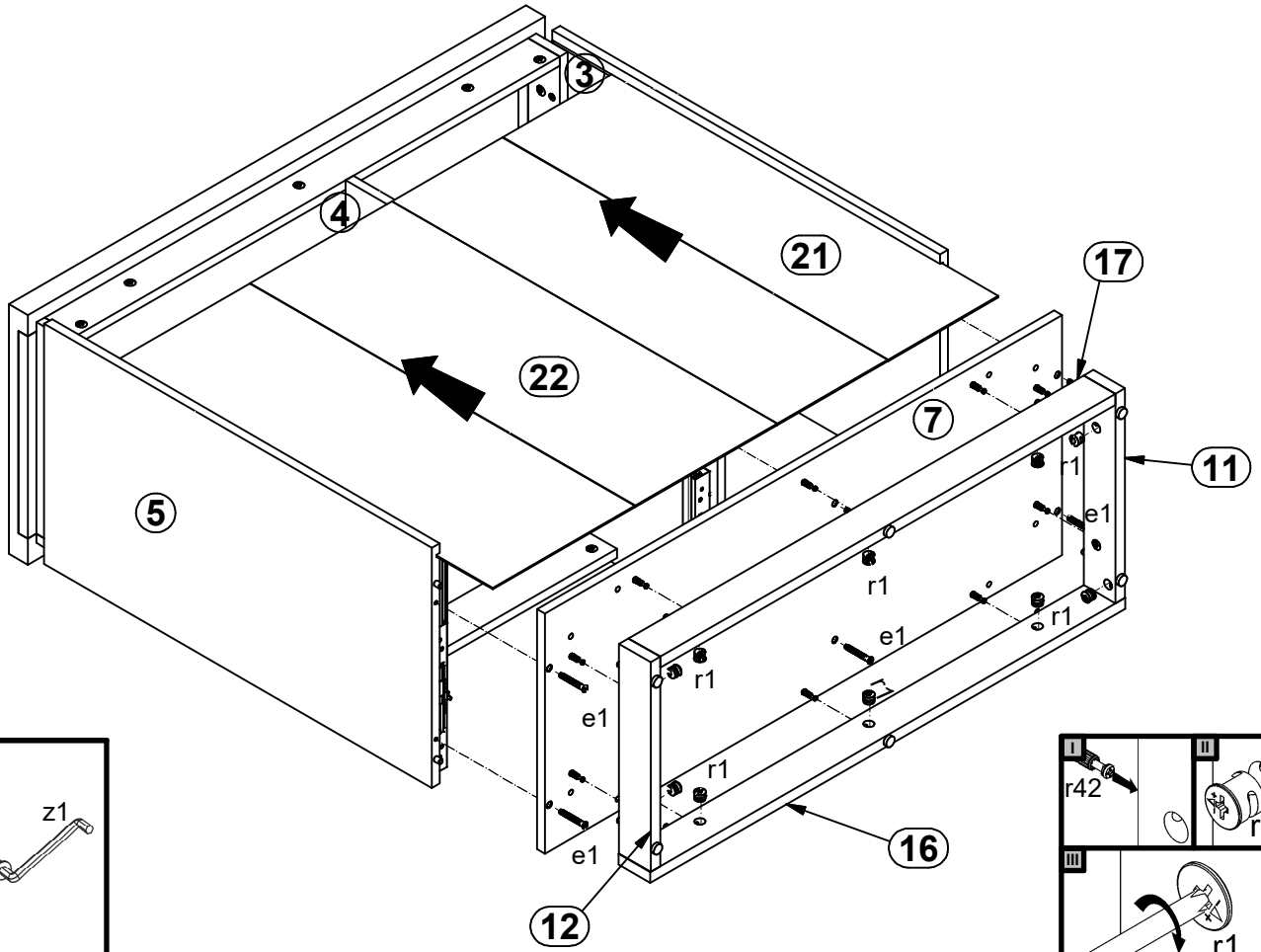
6



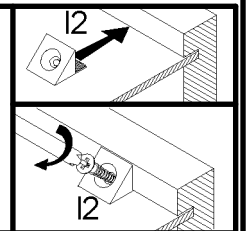
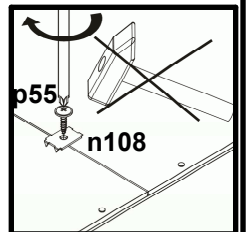
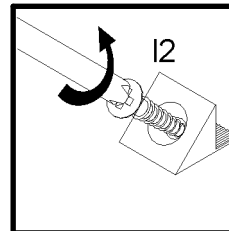
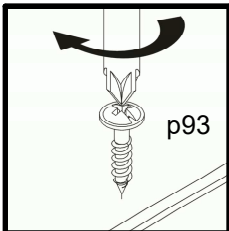
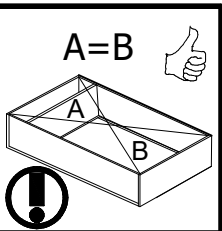
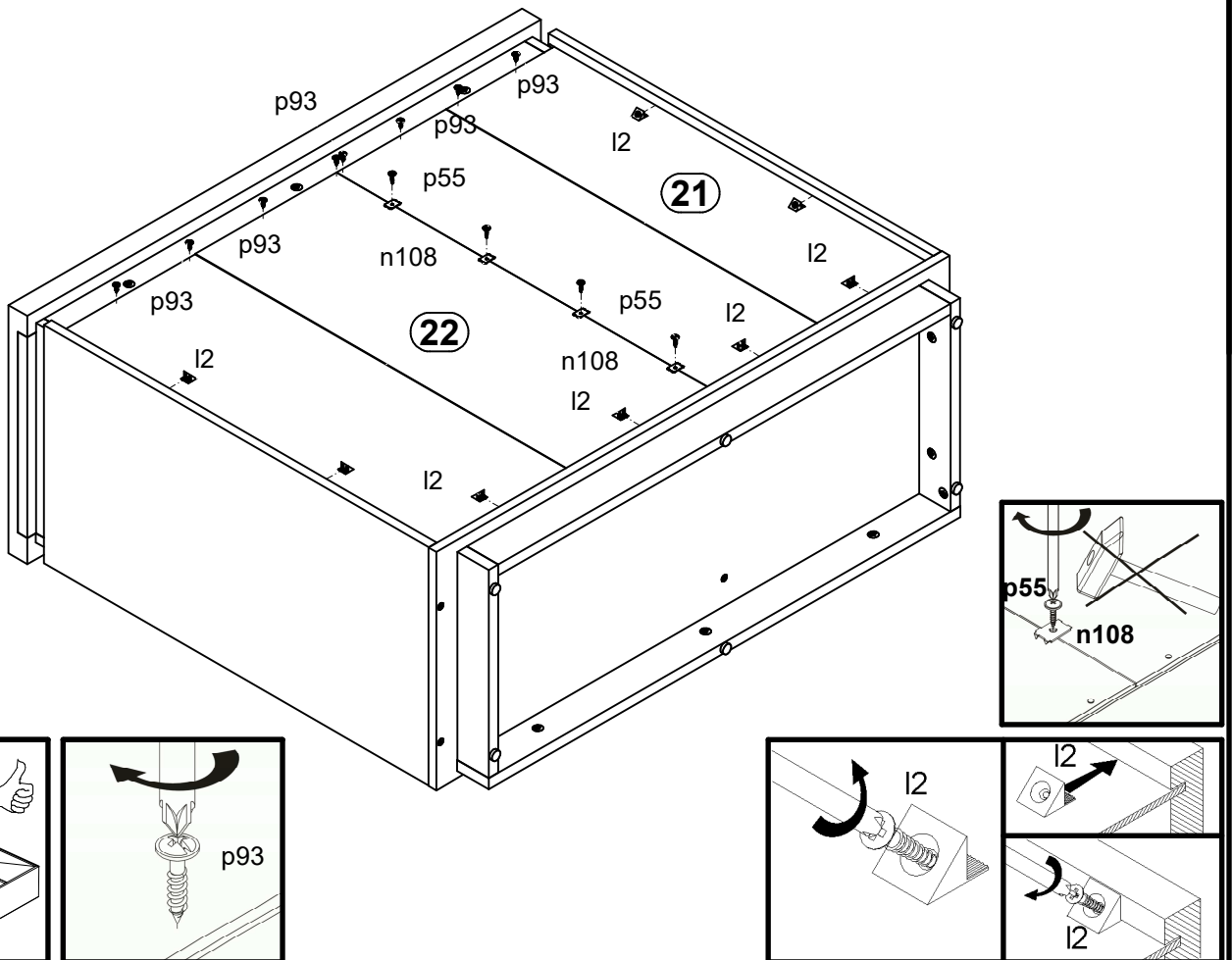
7



8



9



10

