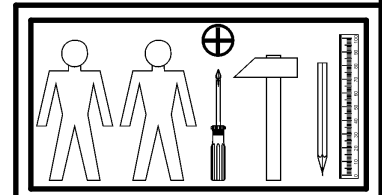
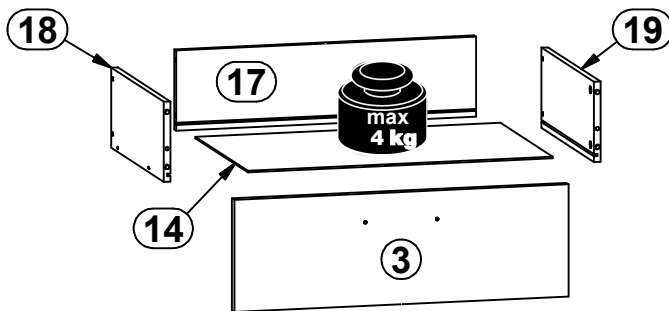
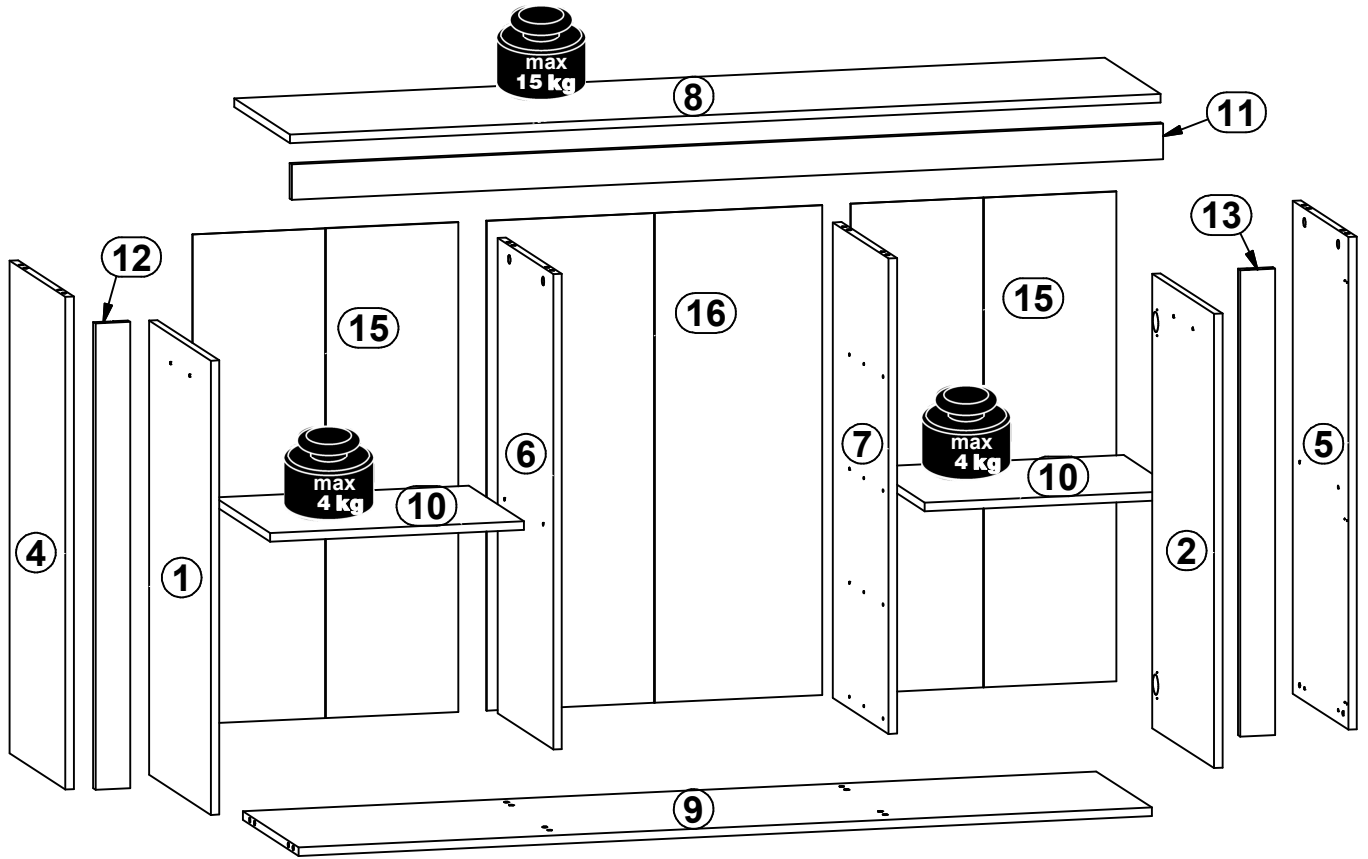
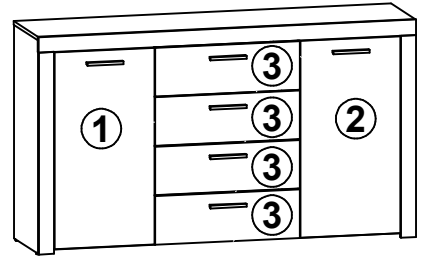
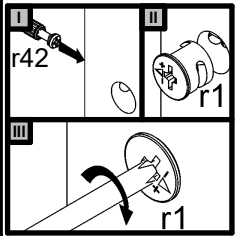
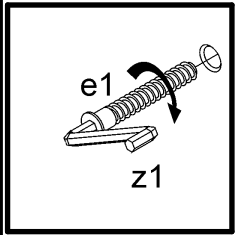
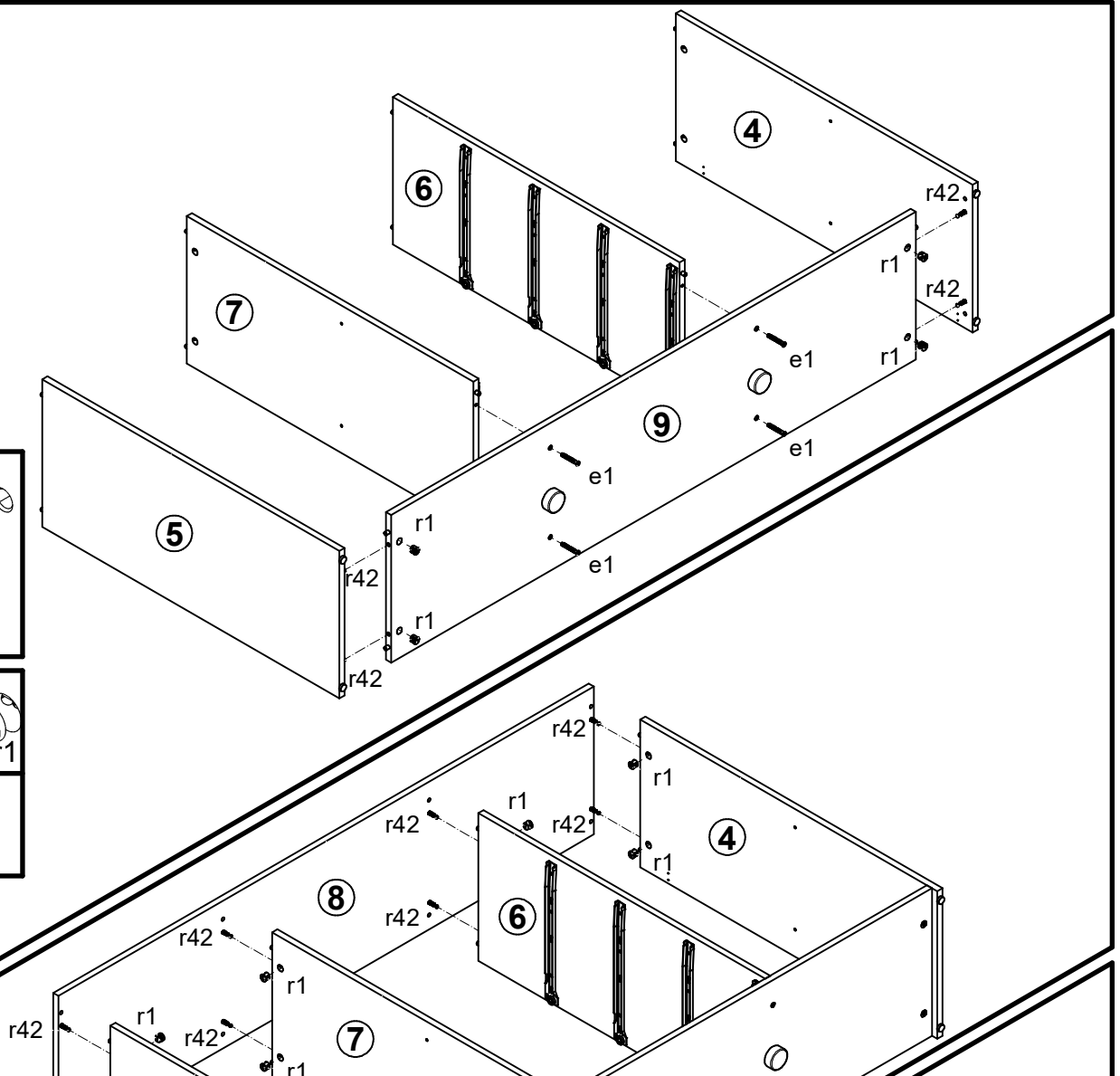


| A | B | C | D | A | B | C | D | | |
|----|-----------|------|-----|-----|----|-----------|------|-----|-----|
| 1 | S382-0015 | 793 | 410 | 4/4 | 11 | S382-5023 | 1551 | 62 | 3/4 |
| 2 | S382-0016 | 793 | 410 | 4/4 | 12 | S382-5024 | 814 | 62 | 3/4 |
| 3 | S382-0017 | 595 | 196 | 4/4 | 13 | S382-5025 | 814 | 62 | 3/4 |
| 4 | S382-1029 | 860 | 370 | 1/4 | 14 | S382-9009 | 543 | 348 | 2/4 |
| 5 | S382-1030 | 860 | 370 | 1/4 | 15 | S382-9305 | 855 | 473 | 1/4 |
| 6 | S382-1031 | 830 | 370 | 1/4 | 16 | S382-9306 | 855 | 597 | 1/4 |
| 7 | S382-1032 | 830 | 370 | 1/4 | 17 | ZS4-5510 | 534 | 140 | 1/4 |
| 8 | S382-2008 | 1550 | 370 | 2/4 | 18 | ZS6-501 | 350 | 140 | 1/4 |
| 9 | S382-3017 | 1519 | 370 | 2/4 | 19 | ZS6-502 | 350 | 140 | 1/4 |
| 10 | S382-3018 | 452 | 365 | 2/4 | | | | | |

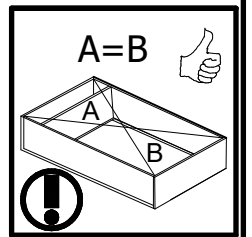
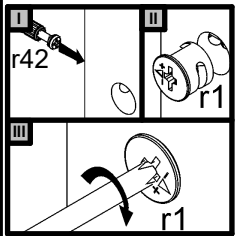
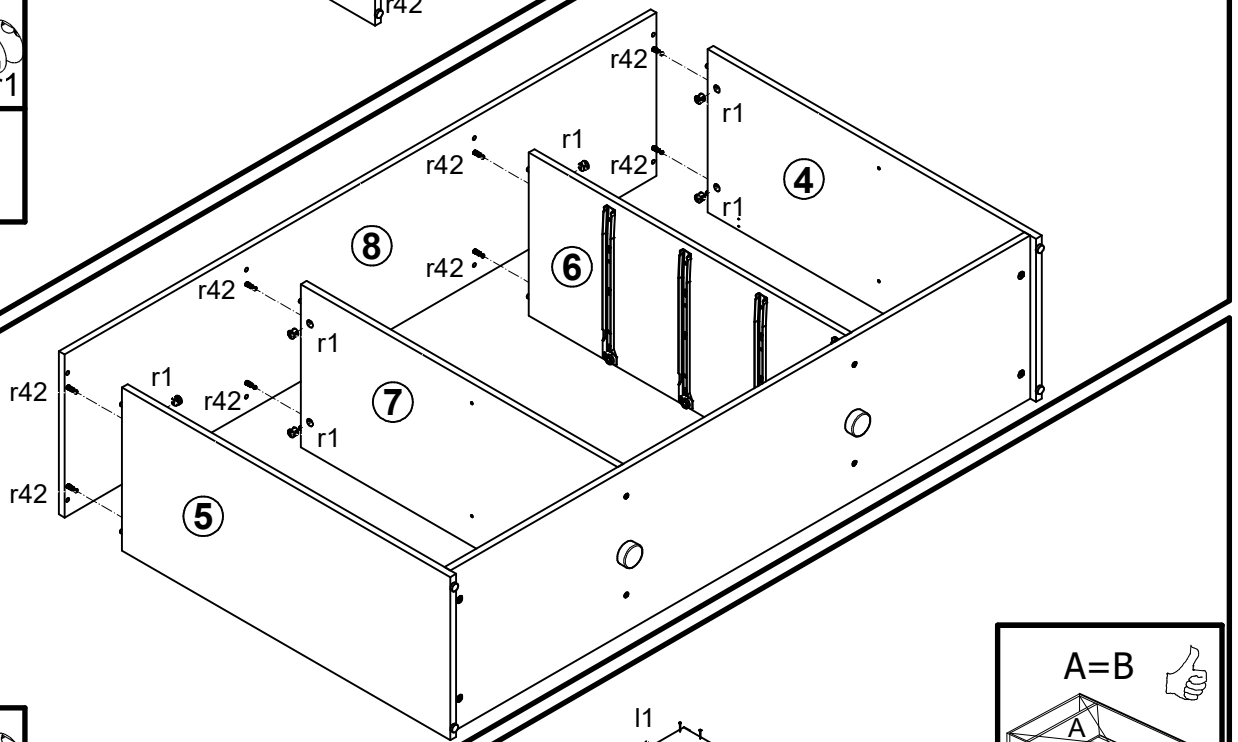


| | | | | | | | | |
|------------------------|----------------------------|-------------------------------|----------------------|---------------------|------------------------|-------------------------|--------------------------|-------------------------|
| 4x a132 | 4x b43 | 6x c328 128 mm | 8x d1 Ø5x17 mm | 9x d37 | 4x e1 Ø7x50 mm | 16x e19 Ø5x9 mm | 8x e2 Ø6,3x13 mm | 24x e3 Ø6x13 mm |
| 20x f1 Ø8x30 mm | 16x f25 Ø6,5x40 mm | 8x f9 Ø6x30 mm | 4x k1 | 2x k27 | 90x l1 | 8x p25 Ø3,5x16 mm | 37x p38 Ø3,5x16 mm | 8x p51 Ø3,5x15 mm |
| 12x p60 Ø4x22 mm | 12x r1 Ø15x12 mm #16 | 16x r15 Ø12x10,5 mm #12 | 28x r42 20/11 | 4x t19 333 mm | 4x w45\CL 350 mm | 4x w45\CR 350 mm | 4x w45\DL 350 mm | 4x w45\DR 350 mm |
| 1x z1 4 mm | 2x s2 Ø16 | 1x n26\1 | | | | | | |

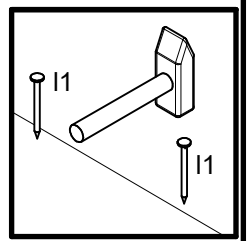
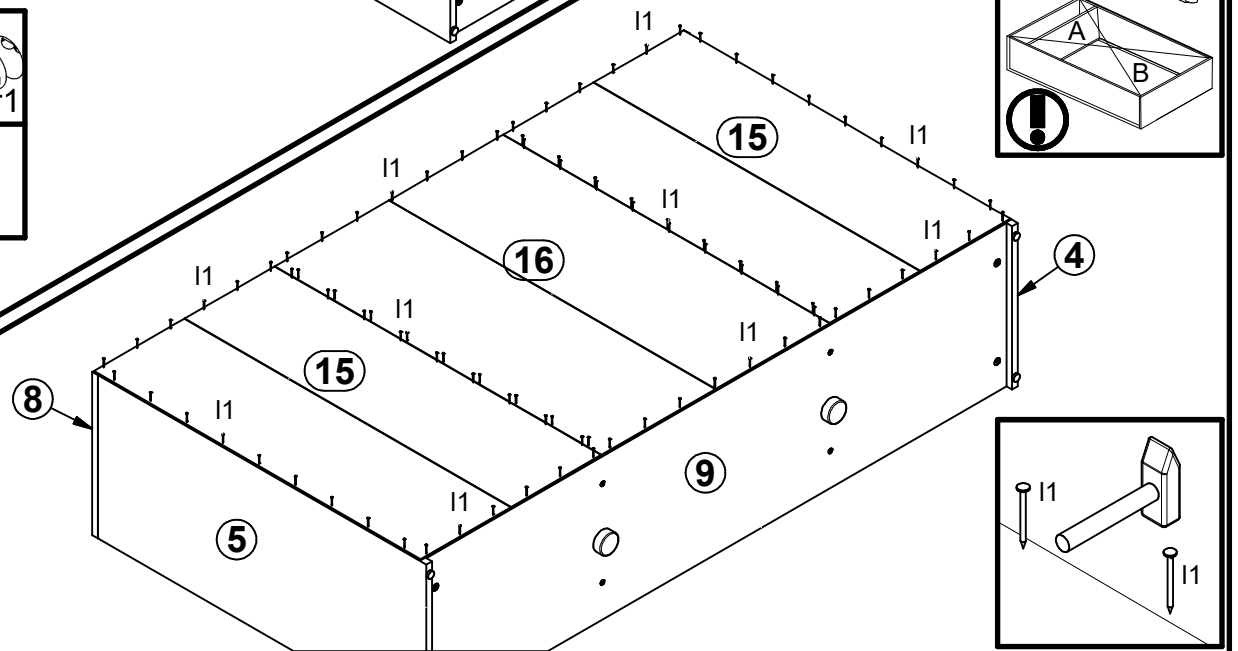
2



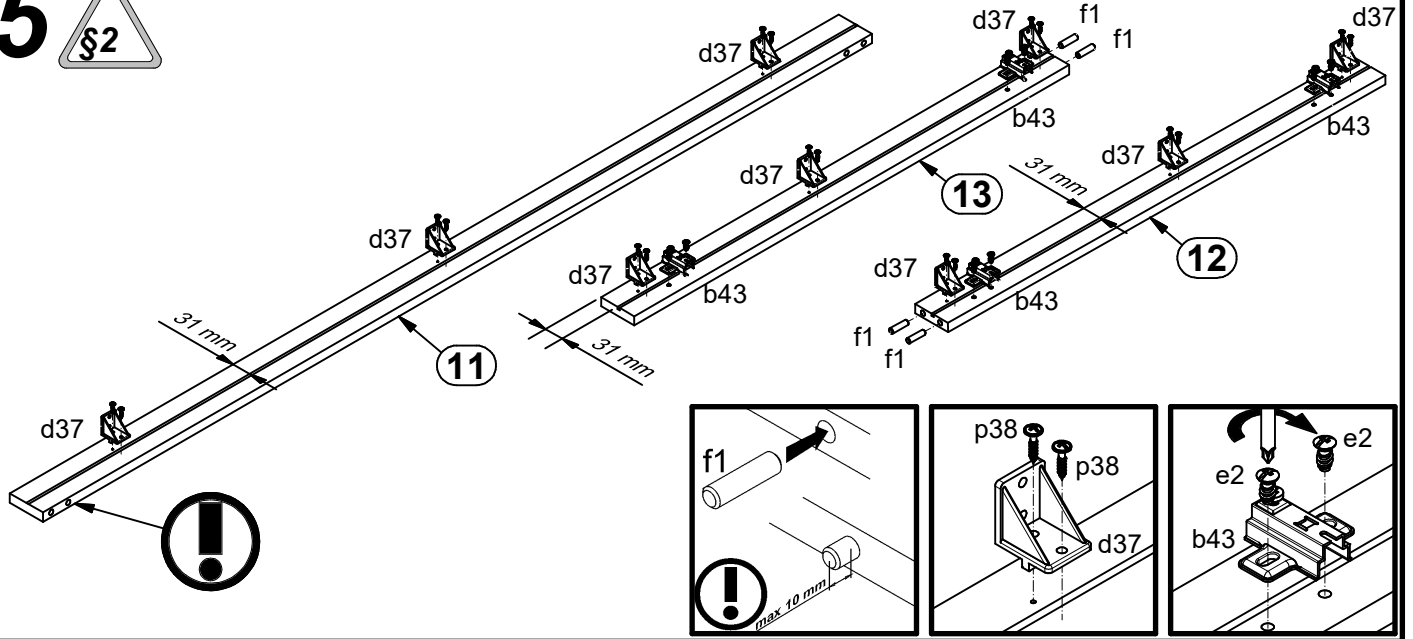
3



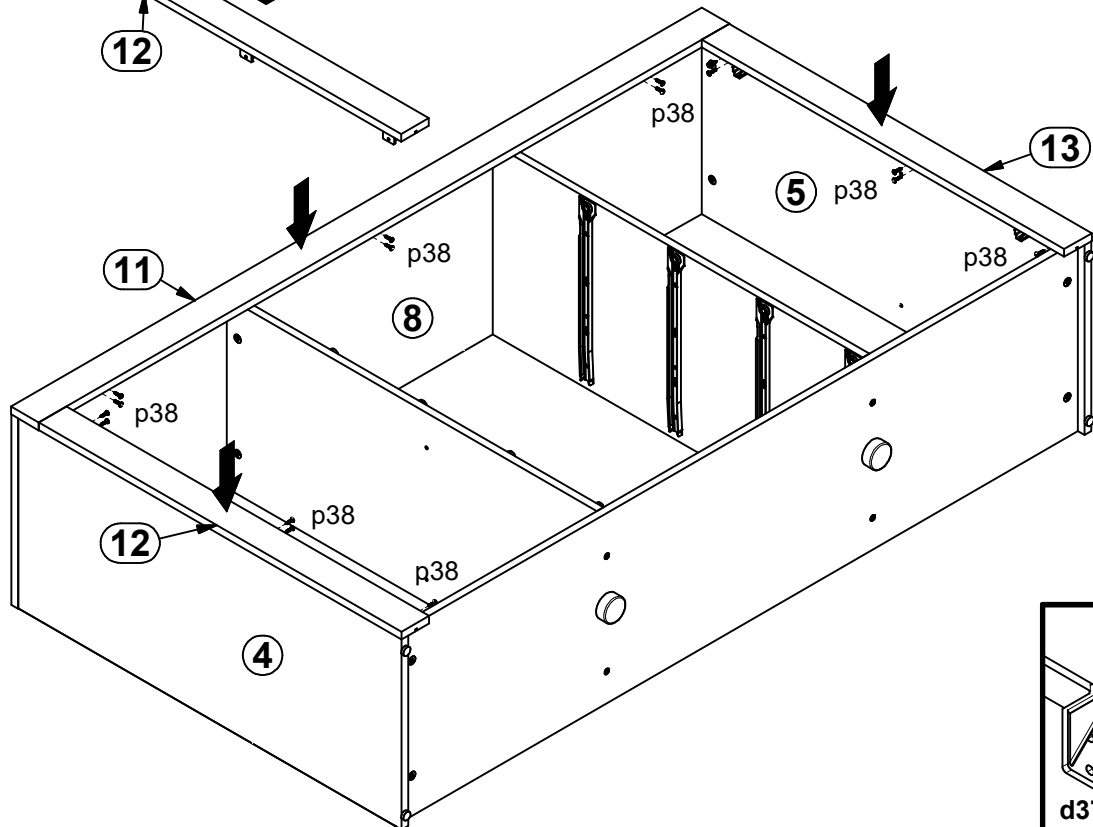
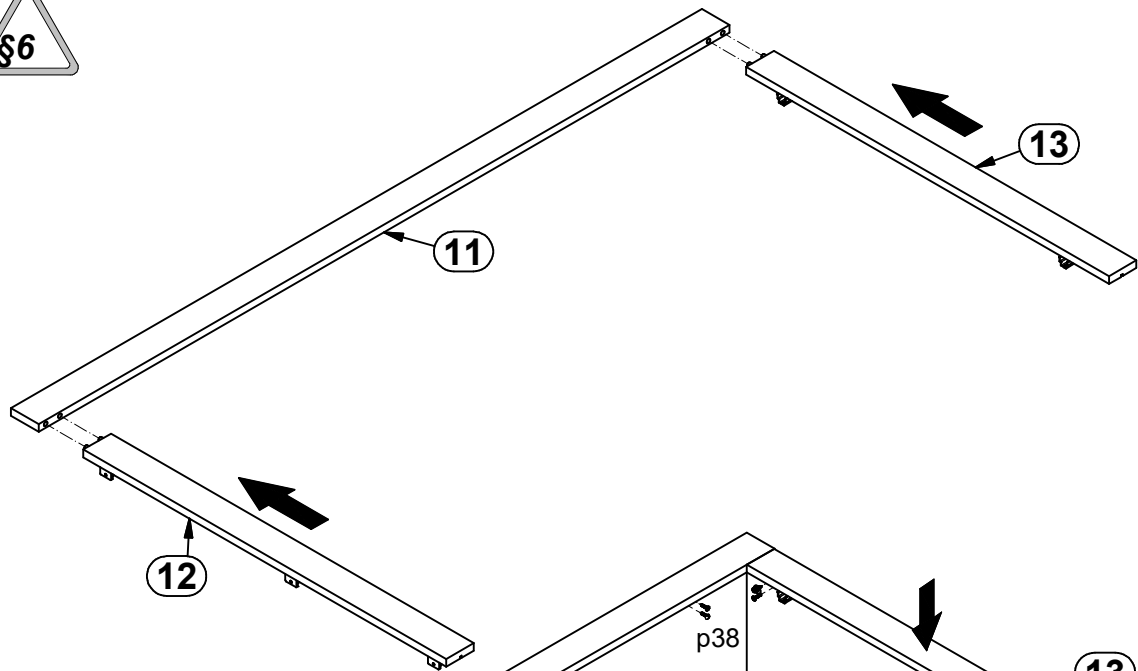
4



5



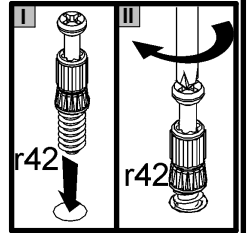
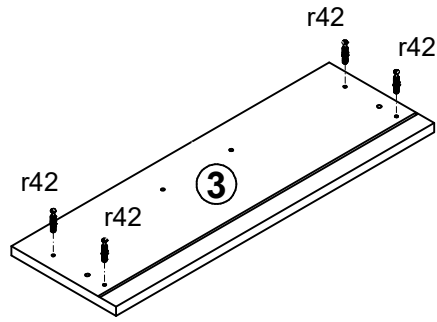
6



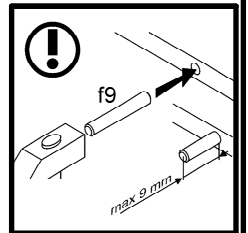
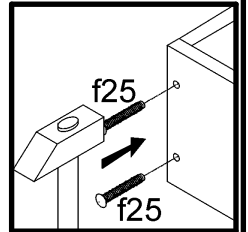
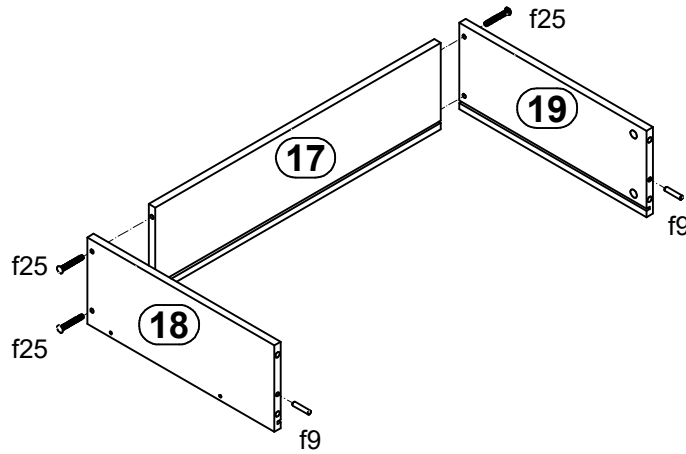
7



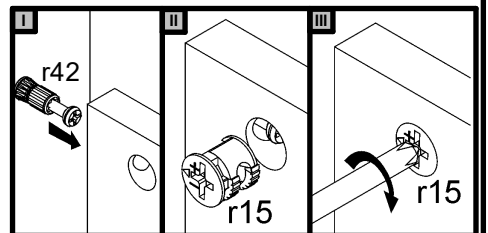
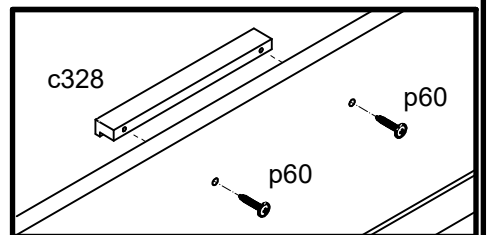
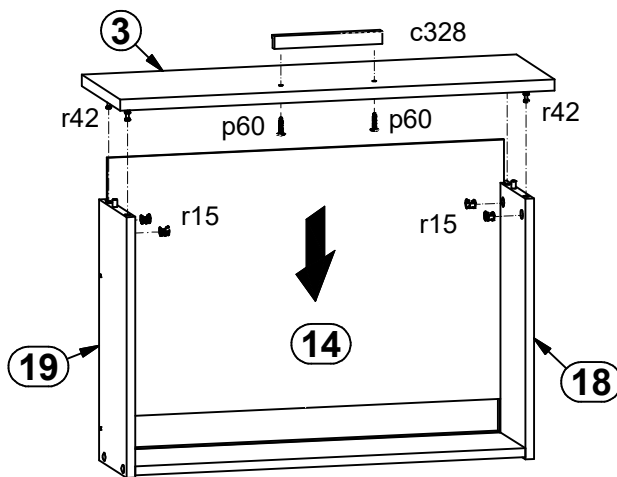
I



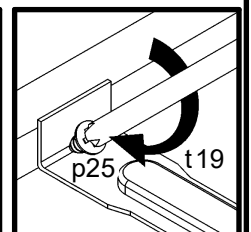
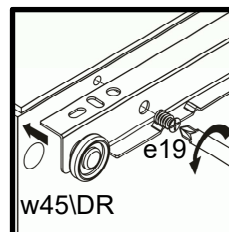
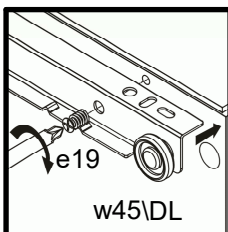
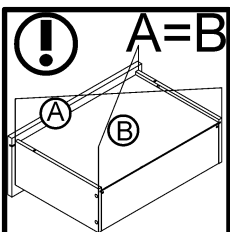
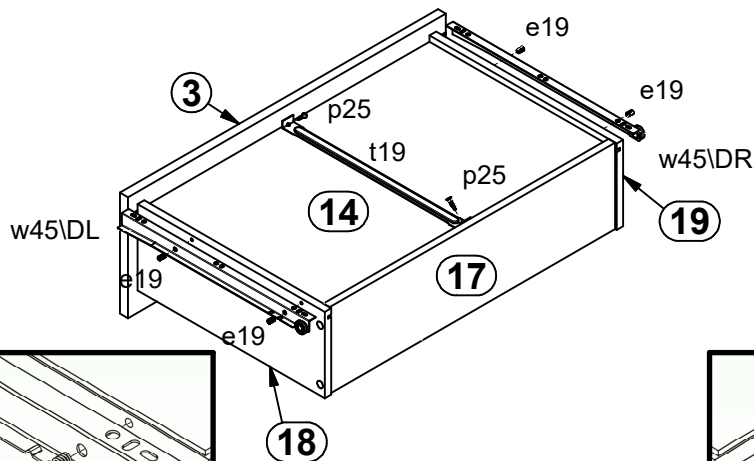
II



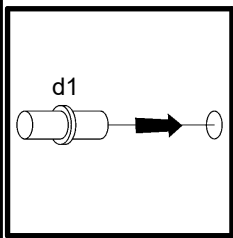
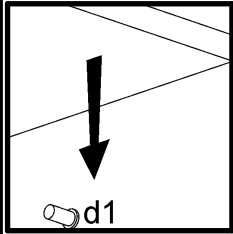
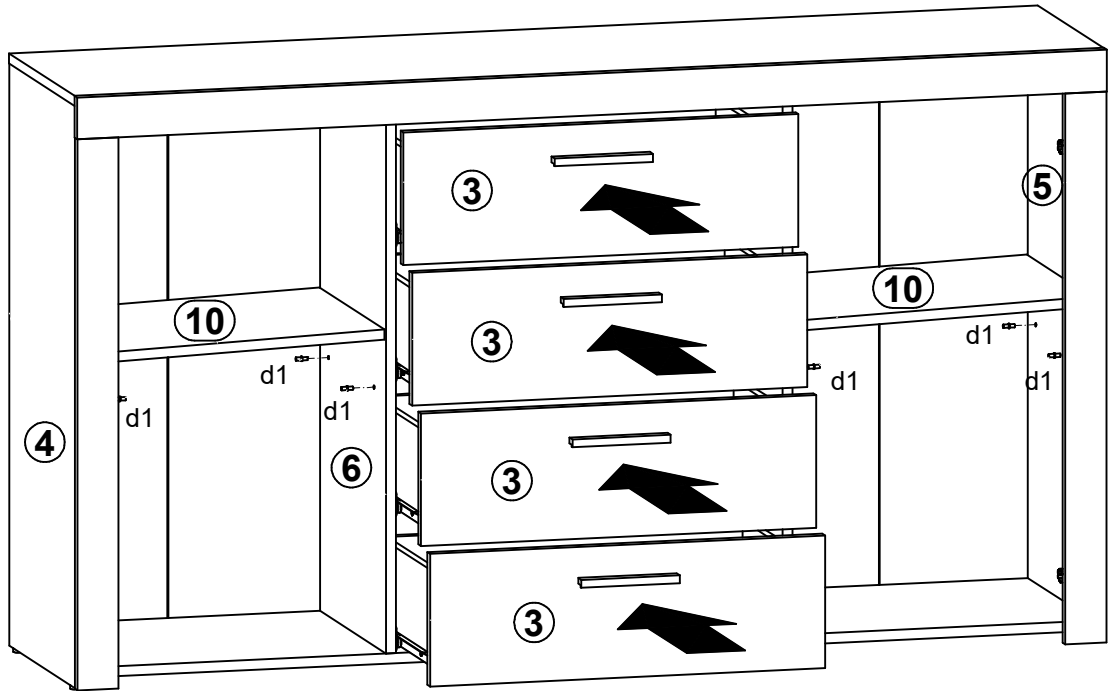
III



IV



8



9

