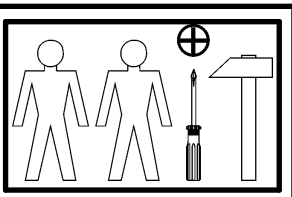
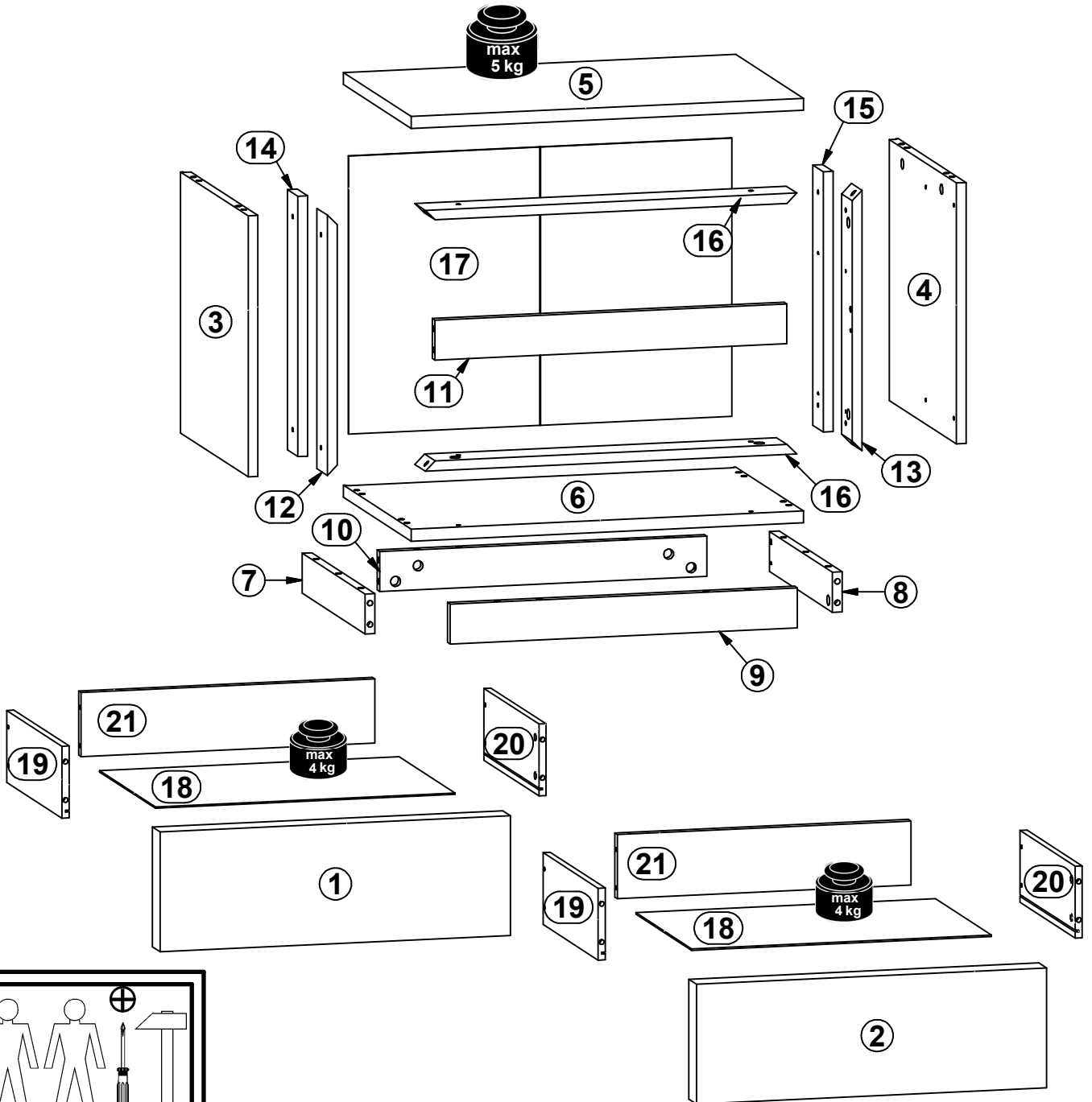
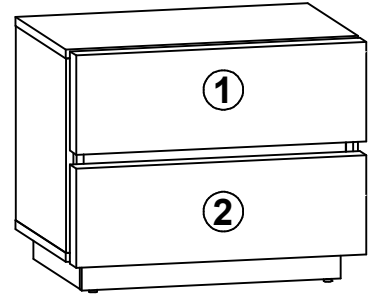
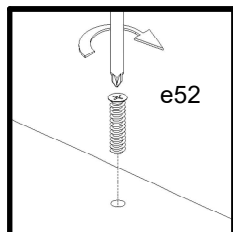
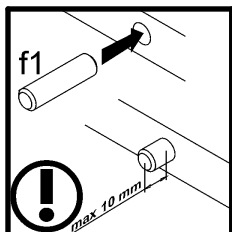
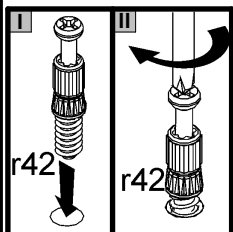
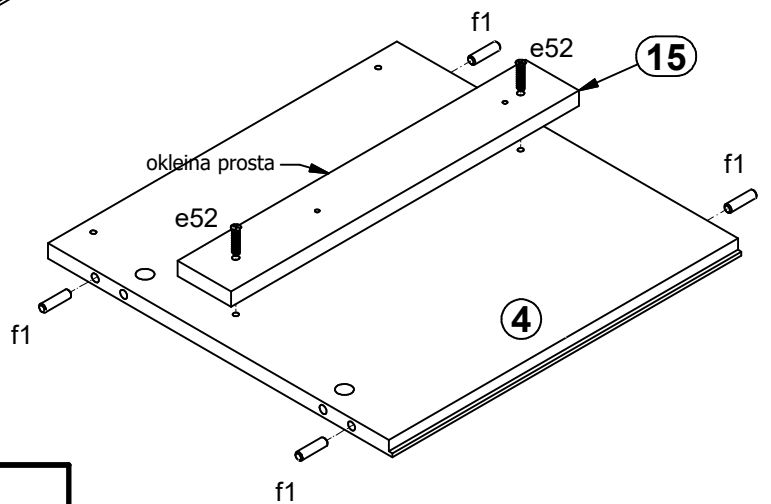
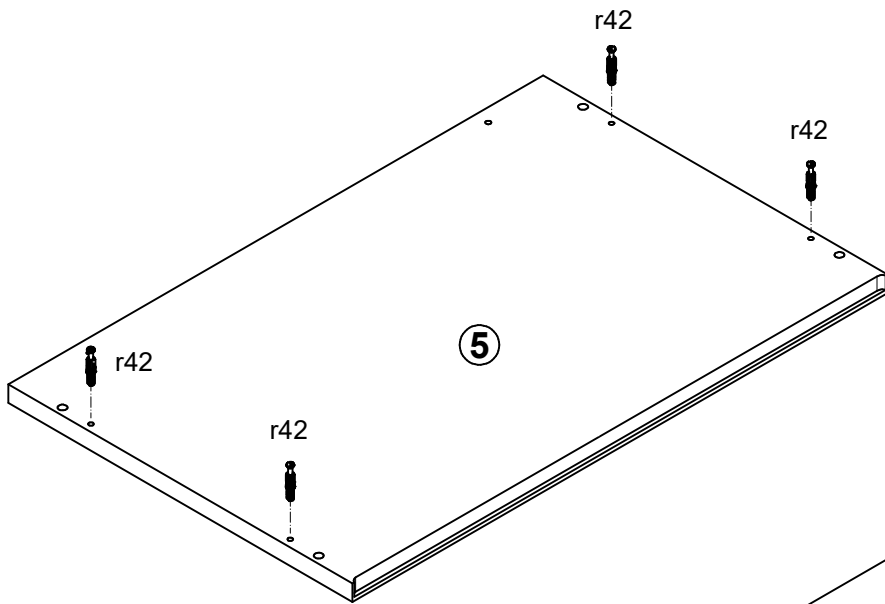
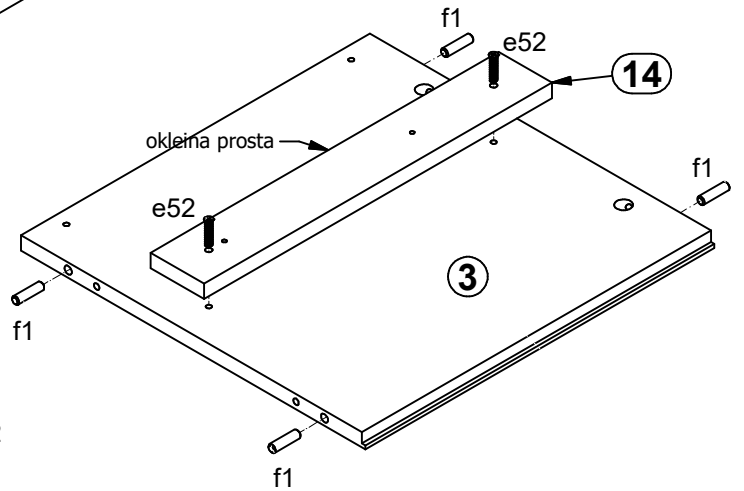
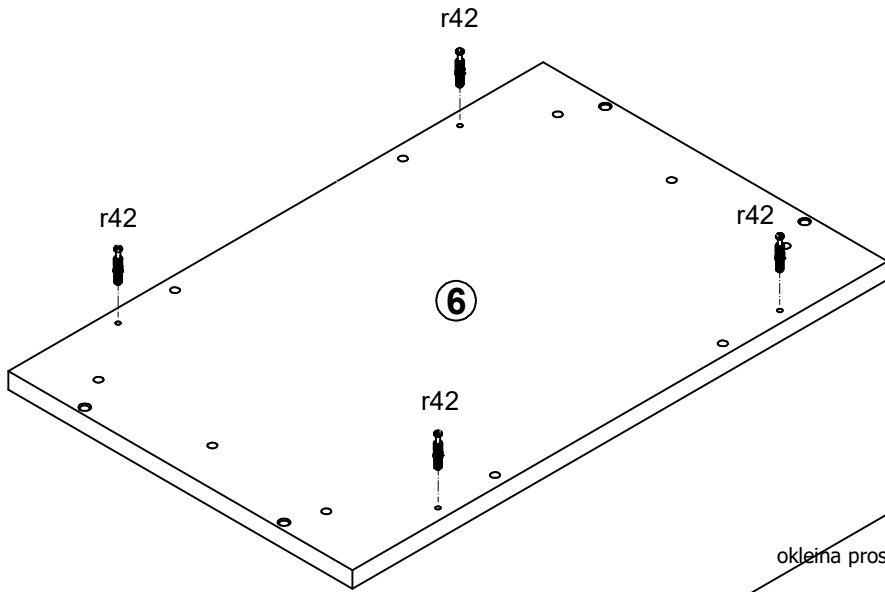


| A | B | C | D | A | B | C | D | | |
|----|----------|-----|-----|-----|----|----------|-----|-----|-----|
| 1 | S317-011 | 596 | 200 | 3/3 | 12 | S317-436 | 391 | 60 | 2/3 |
| 2 | S317-012 | 596 | 200 | 3/3 | 13 | S317-437 | 391 | 60 | 2/3 |
| 3 | S317-114 | 392 | 387 | 1/3 | 14 | S317-438 | 391 | 60 | 1/3 |
| 4 | S317-115 | 392 | 387 | 1/3 | 15 | S317-439 | 391 | 60 | 1/3 |
| 5 | S317-211 | 601 | 387 | 1/3 | 16 | S317-440 | 569 | 60 | 2/3 |
| 6 | S317-212 | 601 | 387 | 1/3 | 17 | S317-911 | 418 | 587 | 1/3 |
| 7 | S317-404 | 360 | 60 | 1/3 | 18 | S317-912 | 510 | 355 | 1/3 |
| 8 | S317-405 | 360 | 60 | 1/3 | 19 | ZQ2-512 | 350 | 120 | 1/3 |
| 9 | S317-413 | 532 | 60 | 1/3 | 20 | ZQ2-513 | 350 | 120 | 1/3 |
| 10 | S317-414 | 501 | 60 | 1/3 | 21 | ZQ2-519 | 500 | 107 | 1/3 |
| 11 | S317-435 | 539 | 60 | 2/3 | | | | | |

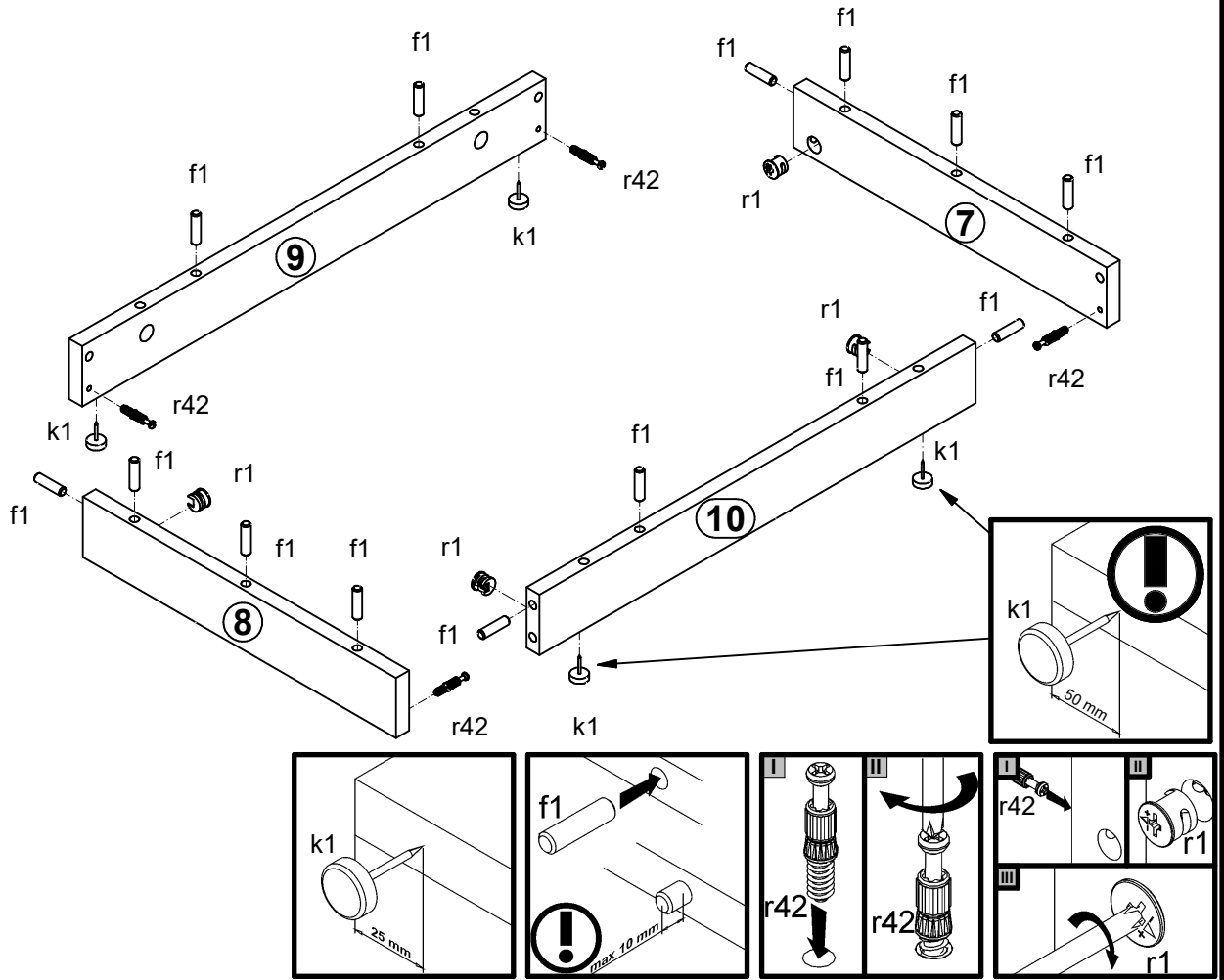


| | | | | | | | | |
|------------------------------|----------------------|--------------------------|-----------------------|-------------------------|----------|-------------|-------------------------|----------------------------|
| 4x Ø7x50 mm e1 | 8x Ø6x13 mm e3 | 12x Ø6.3x26 mm e52 | 24x Ø8x30 mm f1 | 8x Ø6.5x40 mm f25 | 4x k1 | 25x l1 | 8x Ø3.5x16 mm p38 | 22x Ø15x12 mm #16 r1 |
| 8x Ø12x10.5 mm #12 r15 | 4x 39/39 r38 | 22x 20/11 r42 | 2x 350 mm W117/L | 2x 350 mm W117/P | 1x z1 | 1x n26/1 | 1x Ø3.5x16 mm p38 | |

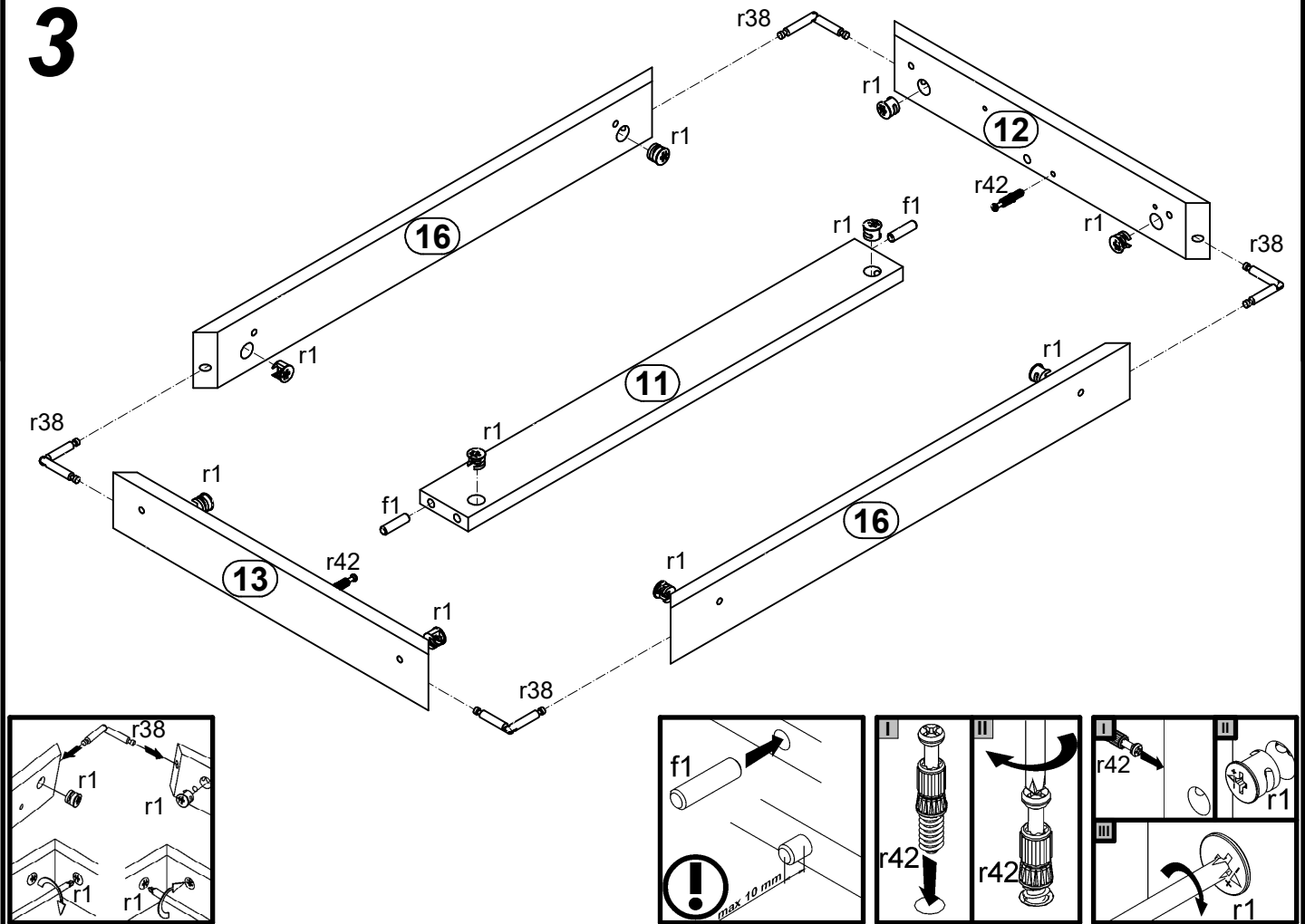
1



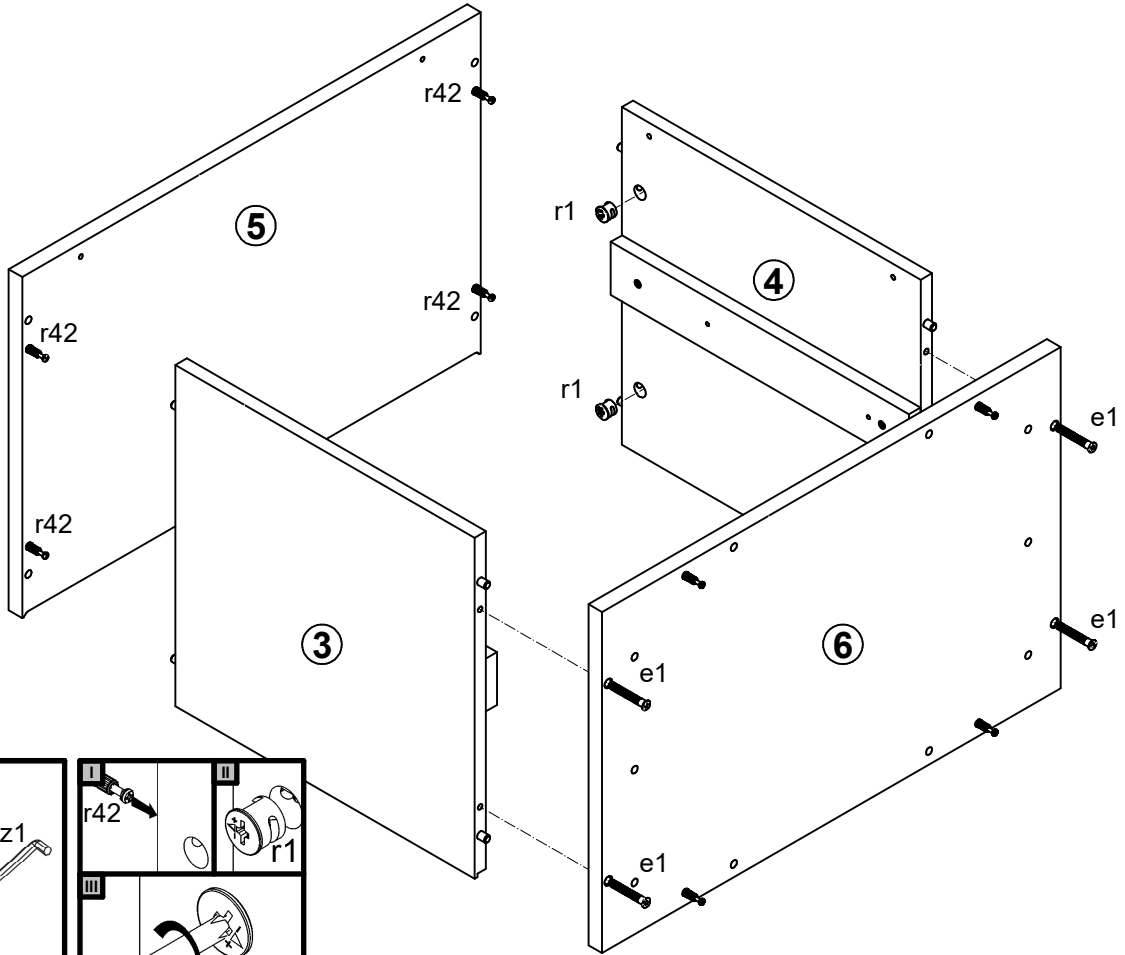
2



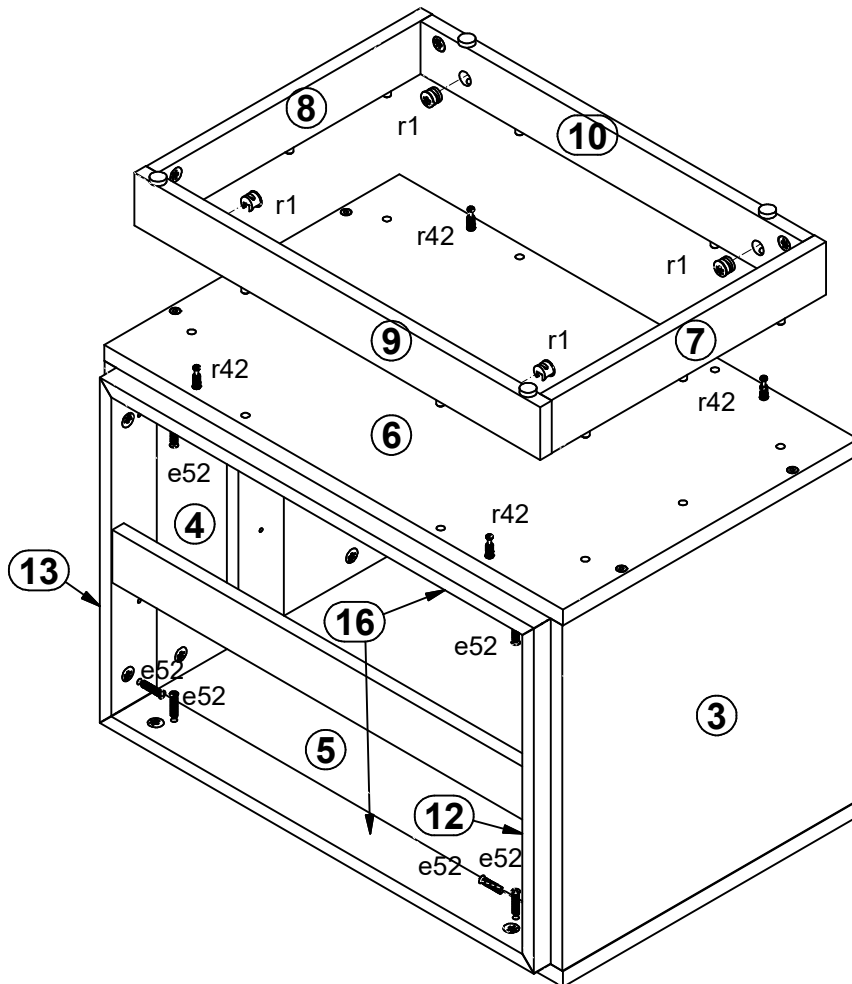
3



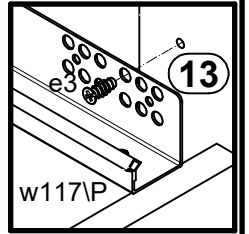
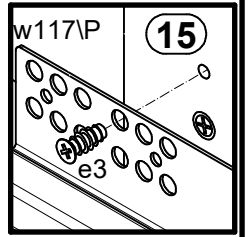
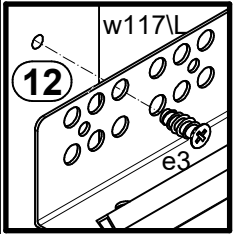
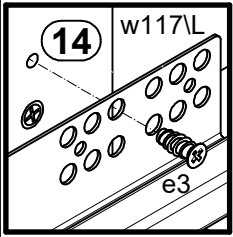
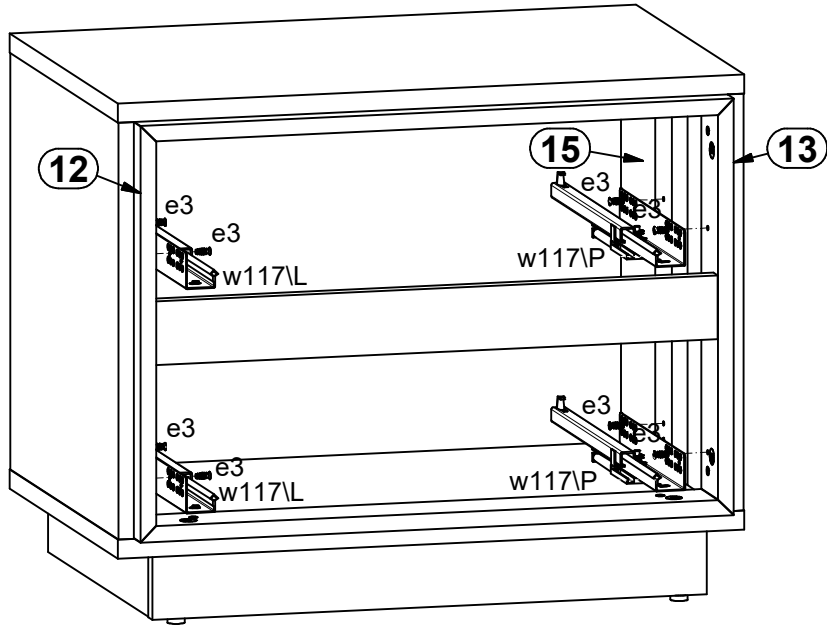
4



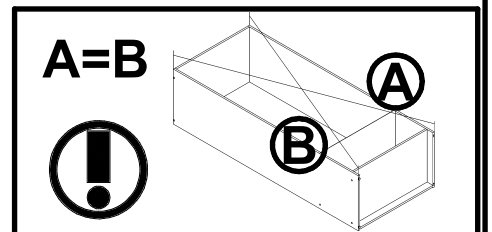
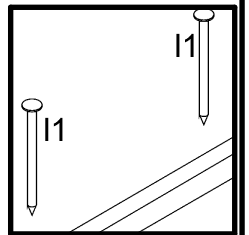
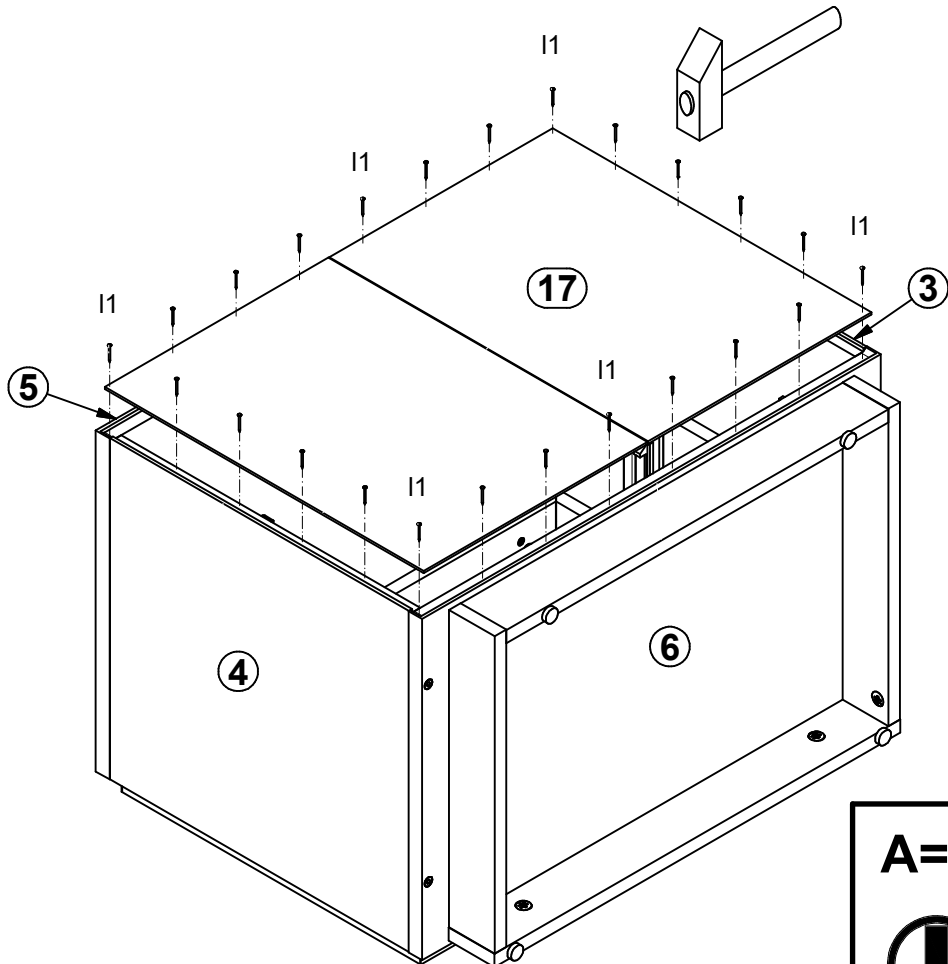
5



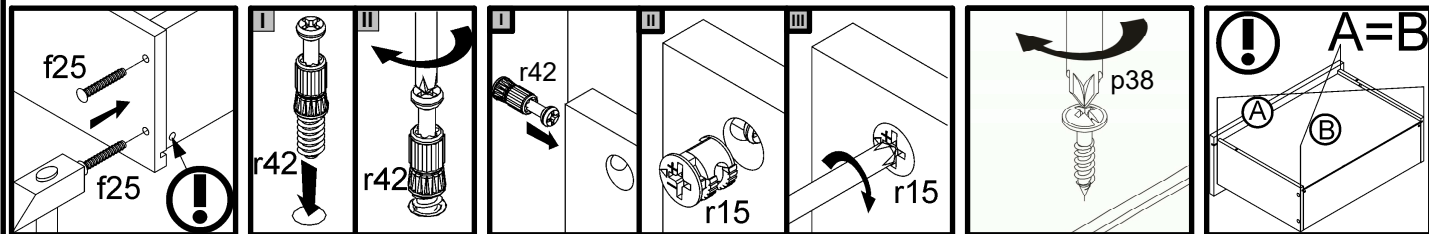
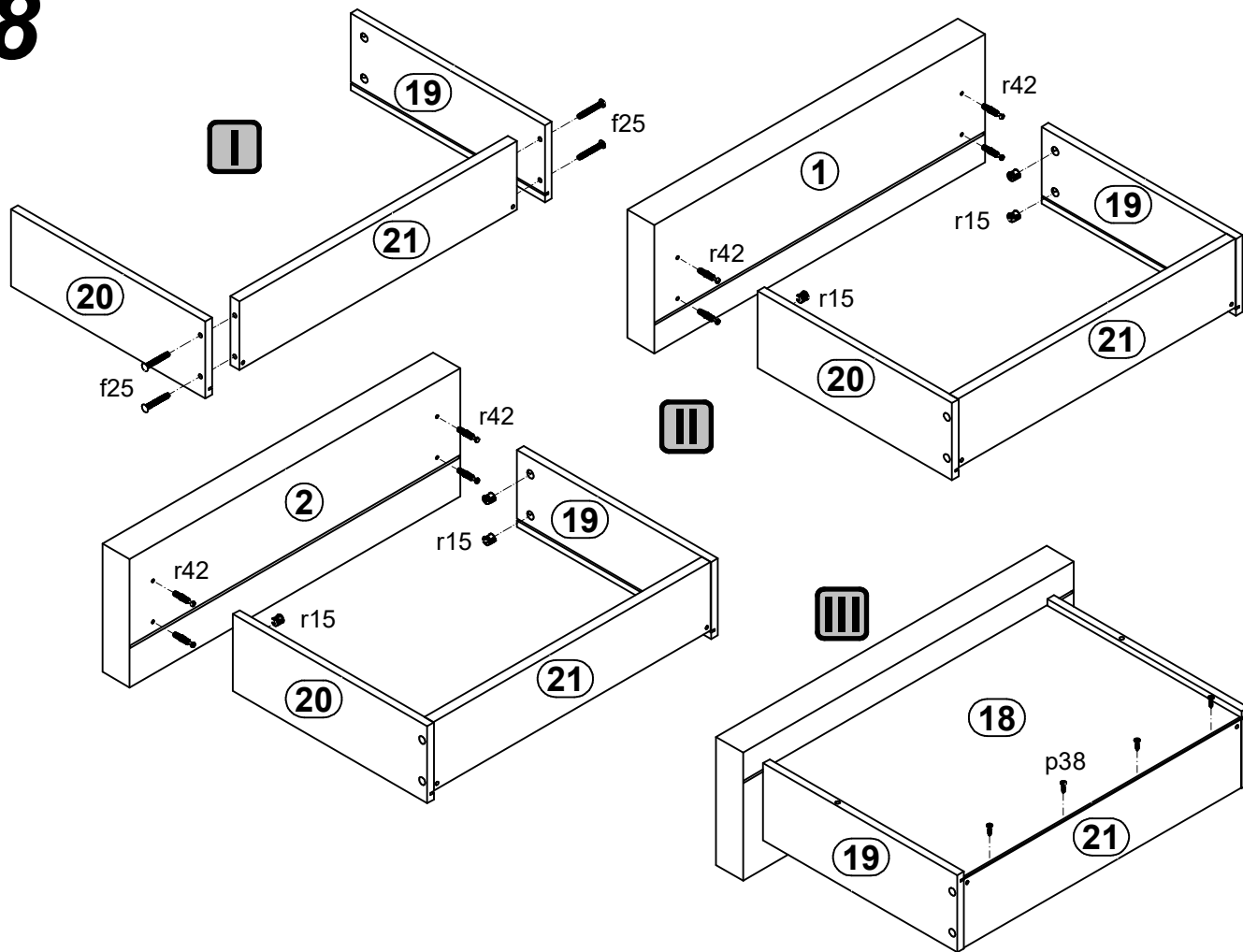
6



7



8



9

