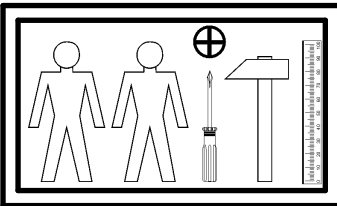
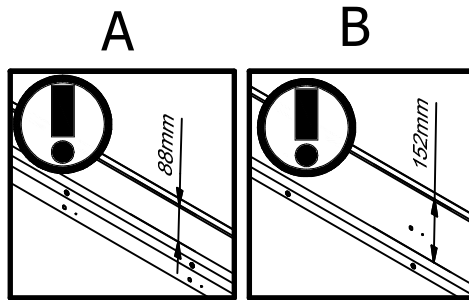
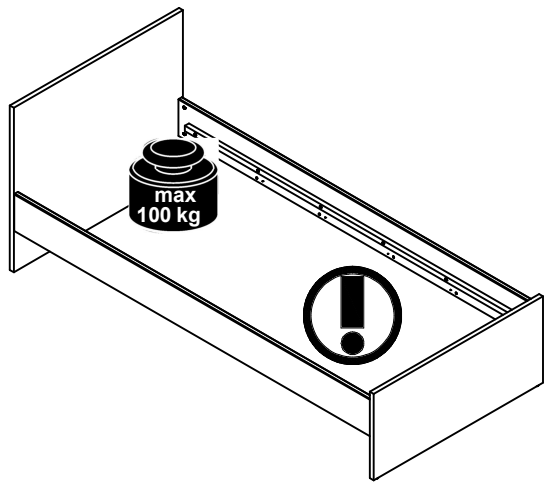
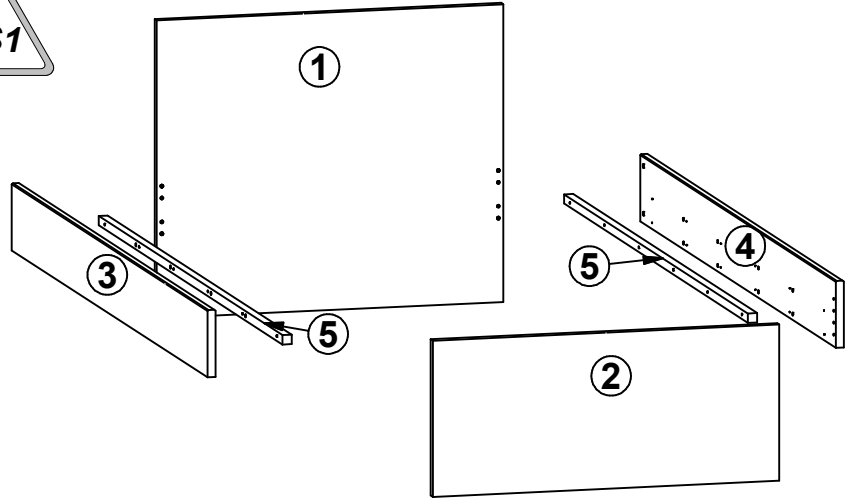





A	B	C	D	
1	S382-4001	950	800	1/2
2	S382-4002	950	420	1/2
3	S382-4003	2000	180	2/2
4	S382-4004	2000	180	2/2
5	ZZ1-747	1880	25	2/2

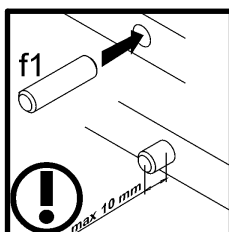
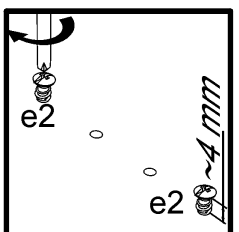
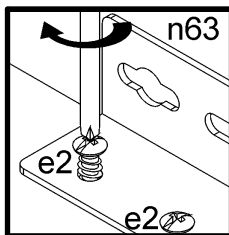
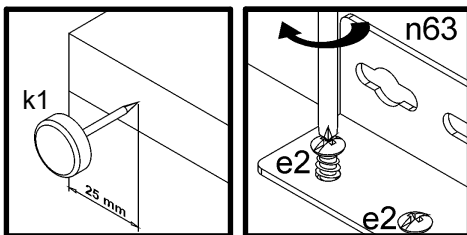
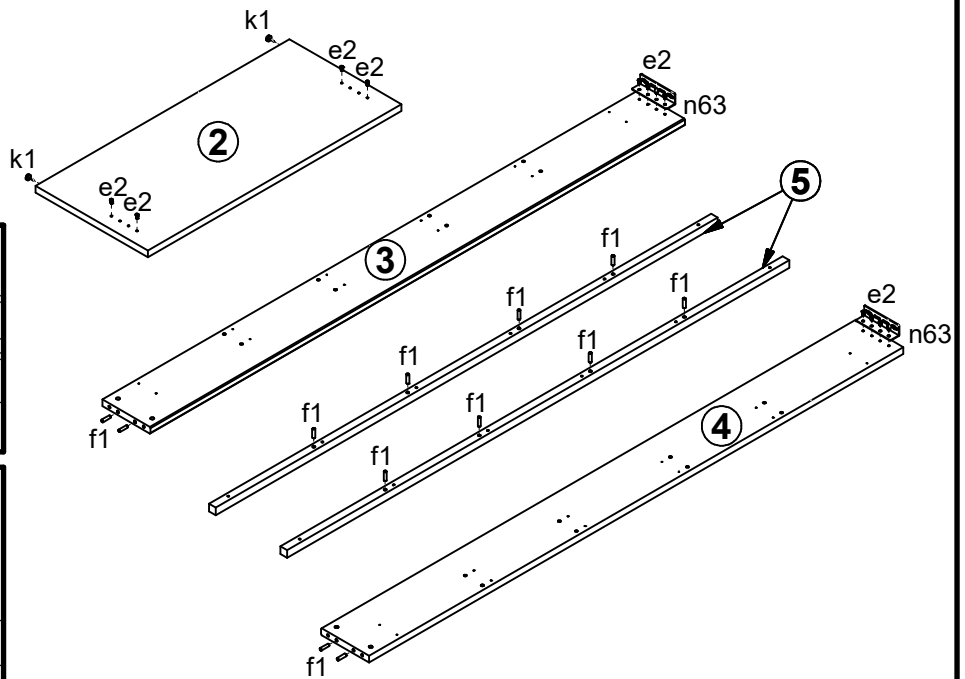


A/B

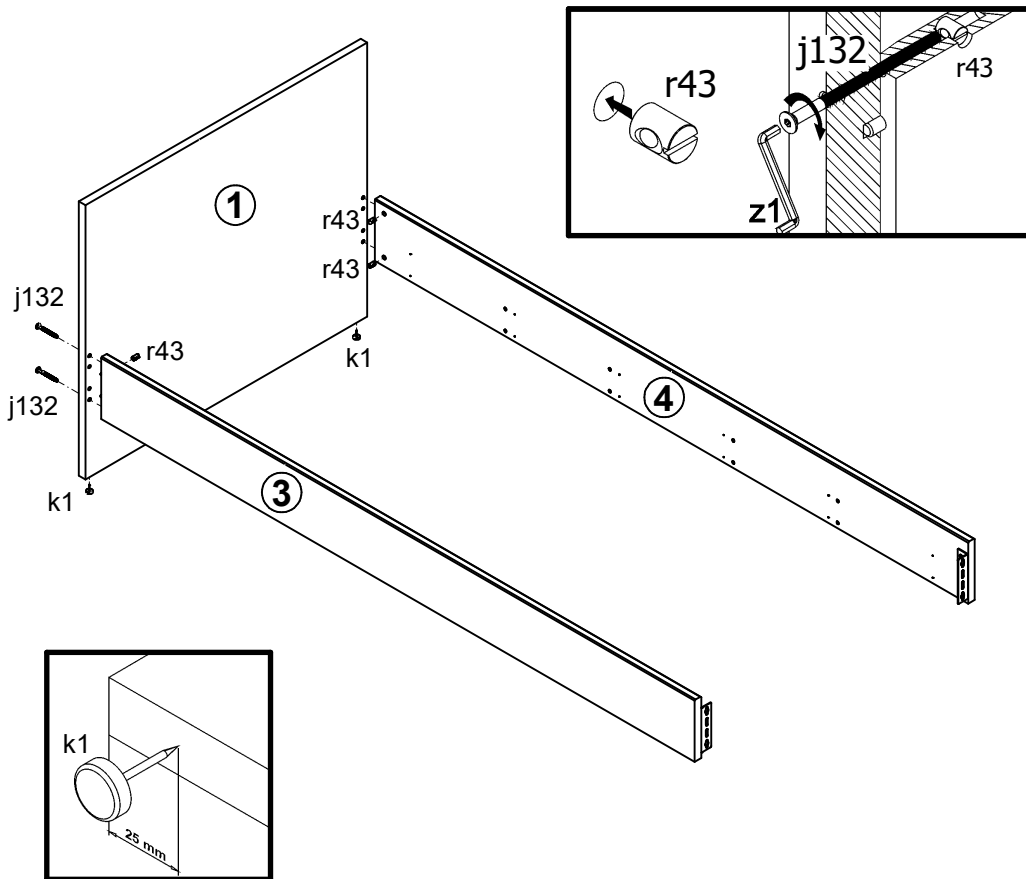


- 16x 
Ø6.3x13 mm **e2**
- 12x 
Ø8x30 mm **f1**
- 4x 
M6x65 mm **j132**
- 4x 
k1
- 2x 
130x34x34/2 mm **n63**
- 12x 
Ø4x40 mm **p10**
- 6x 
Ø4x35 mm **p6**
- 4x 
Ø10x16 mm **r43**
- 1x 
4 mm **z1**

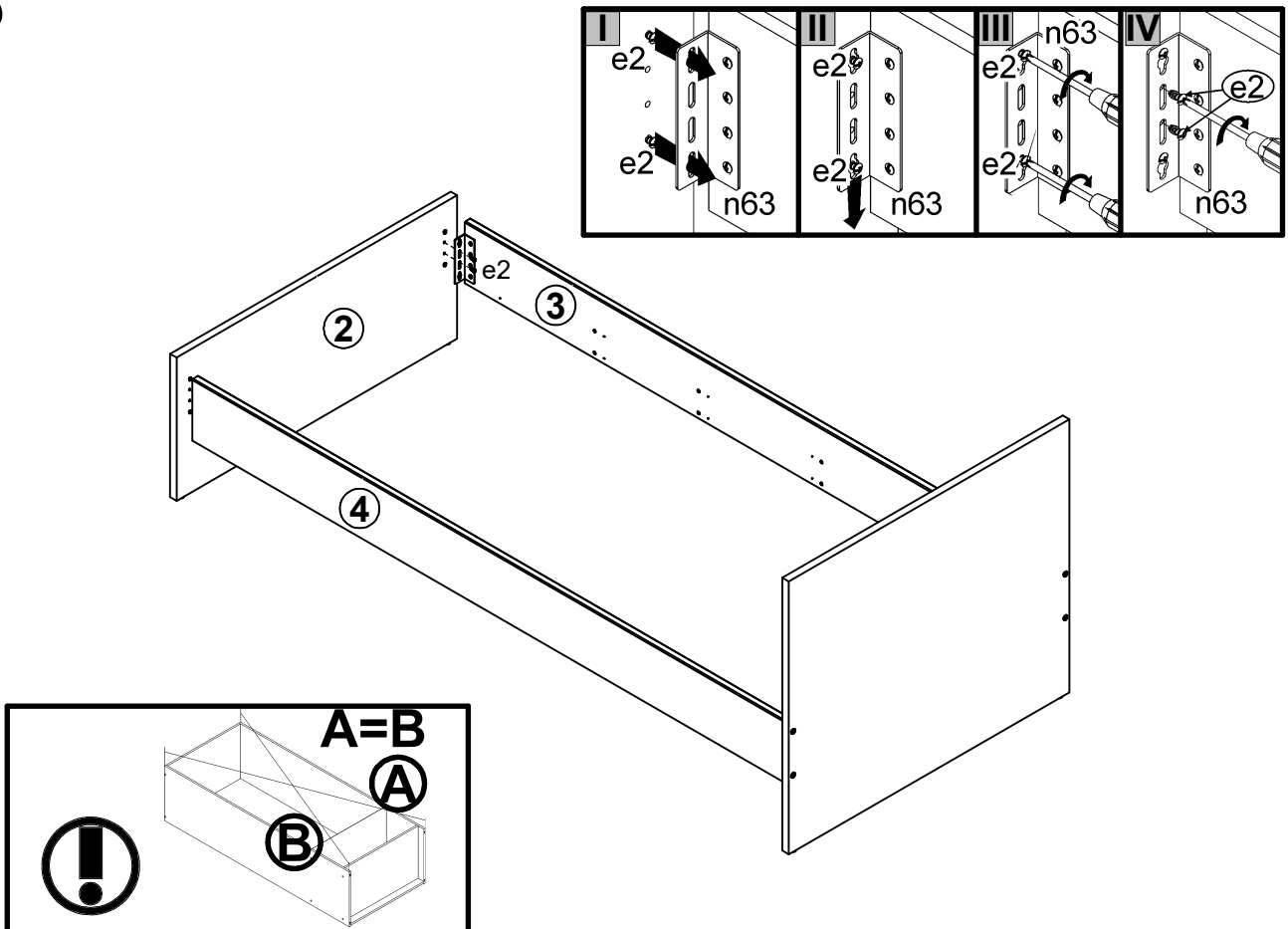
1



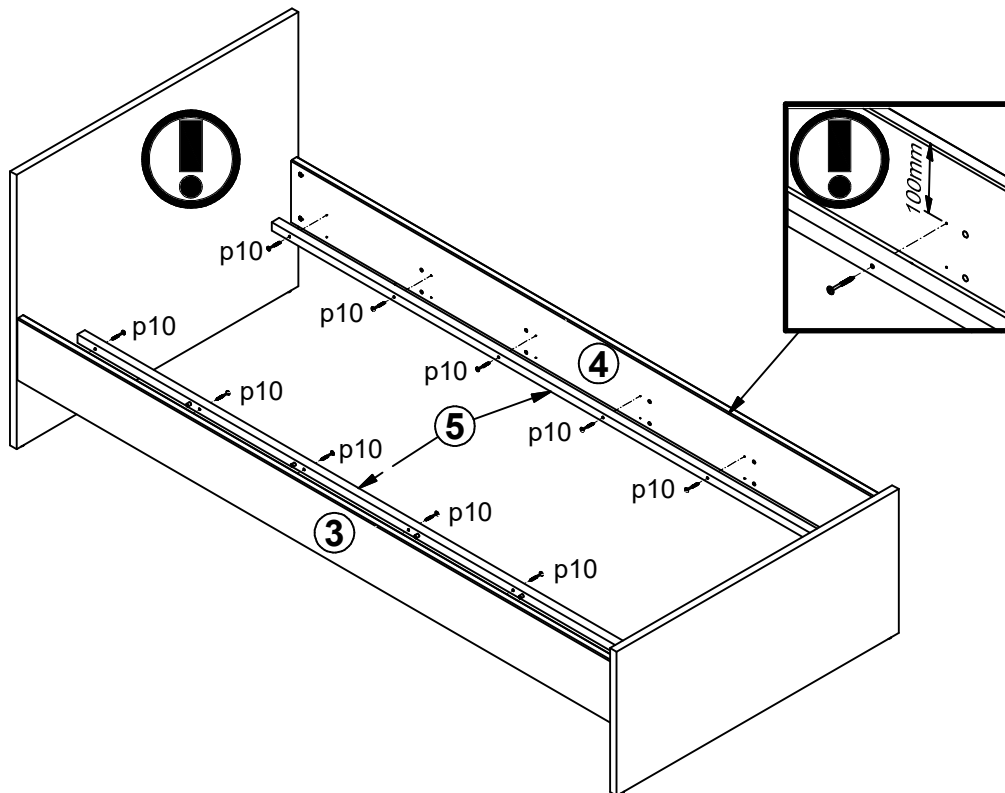
2



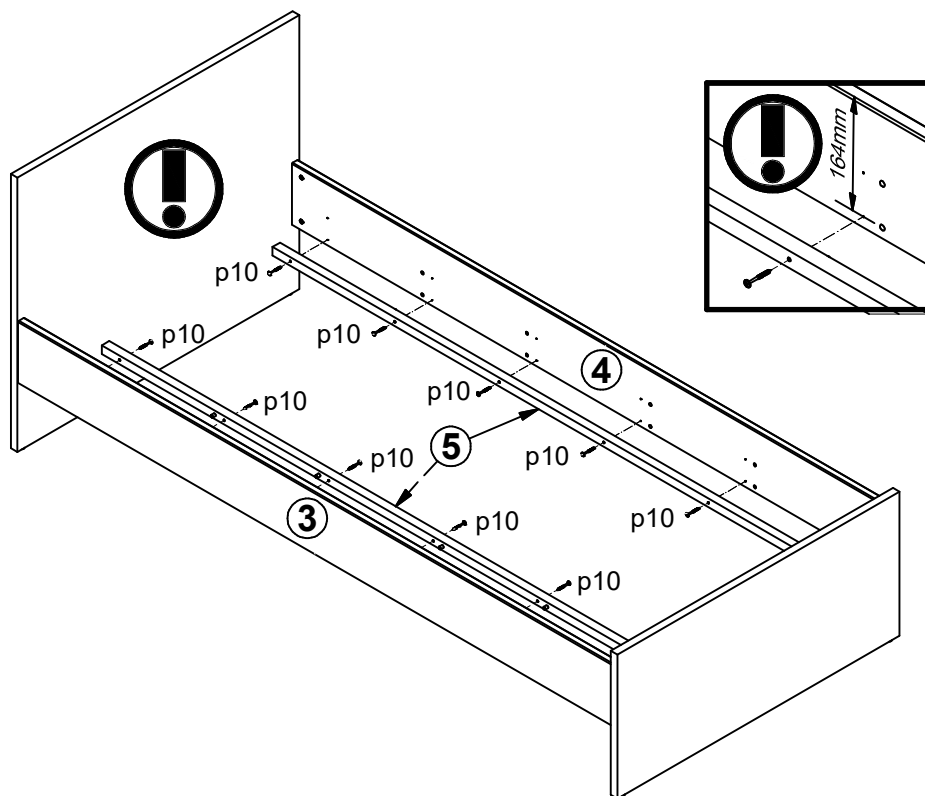
3



4A



4B



5

