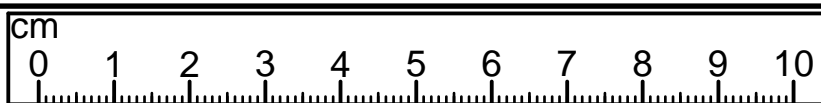
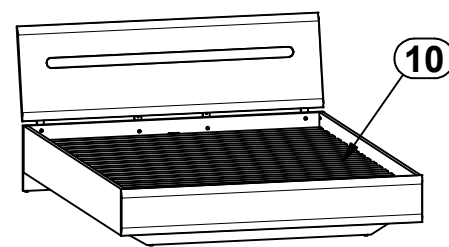
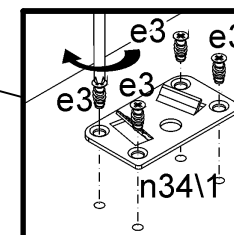
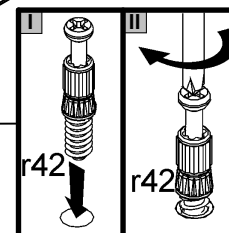
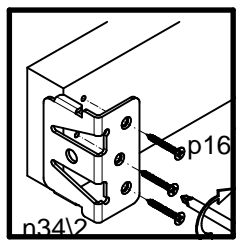
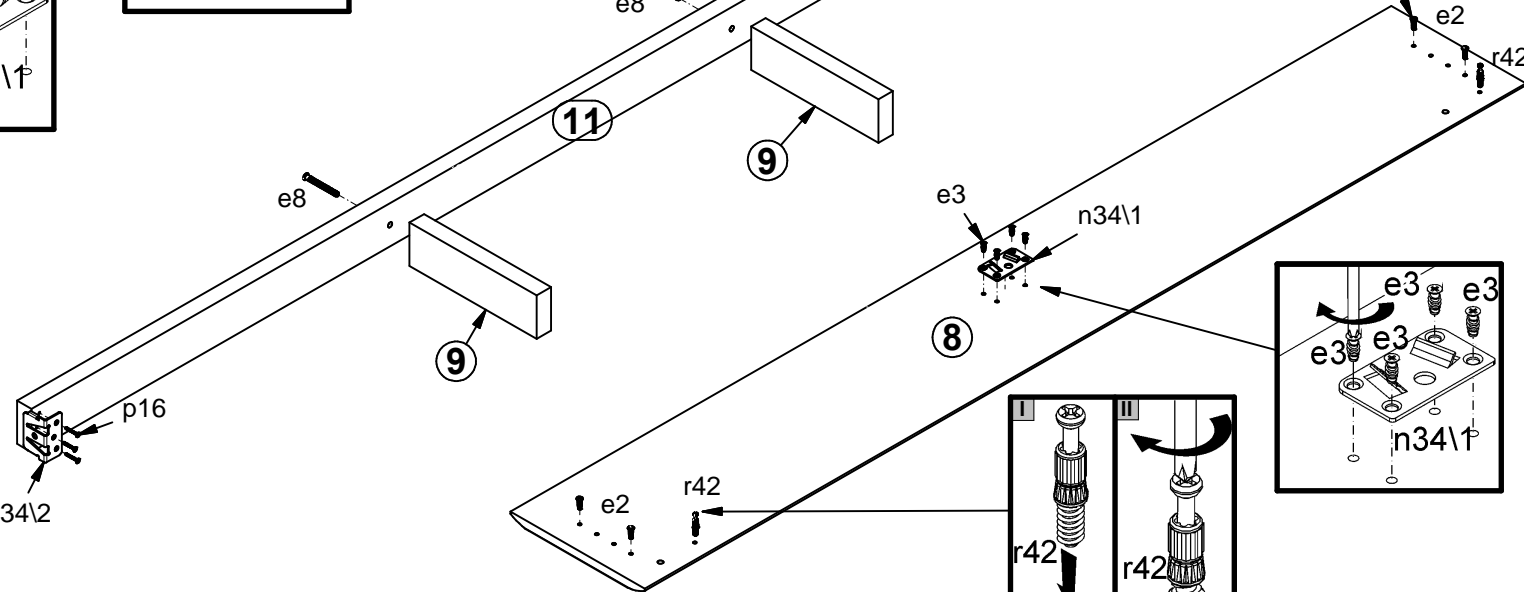
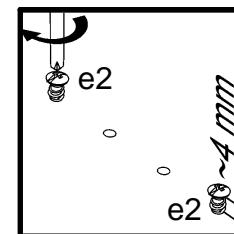
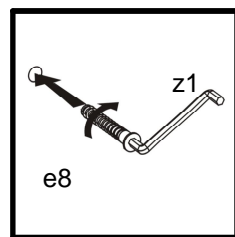
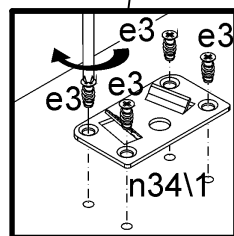
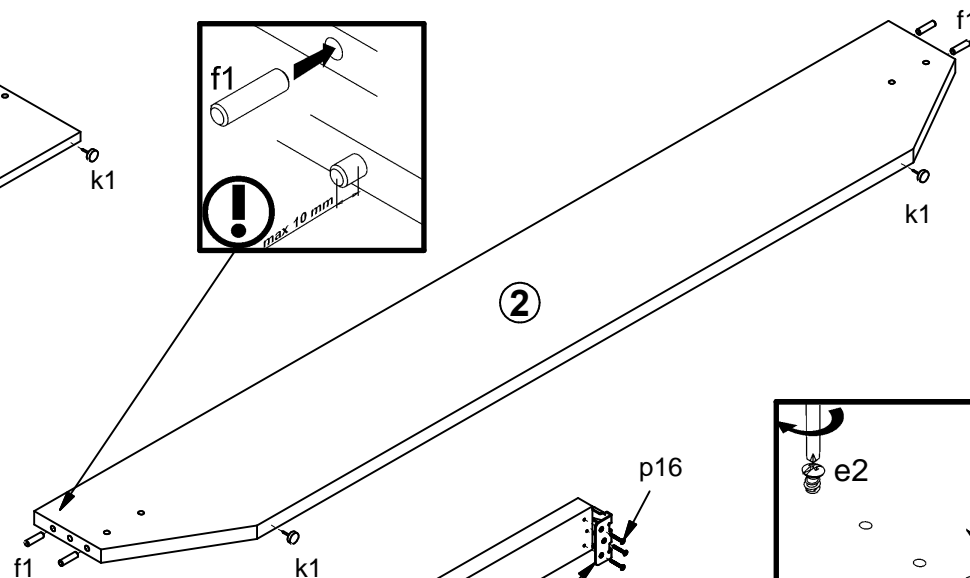
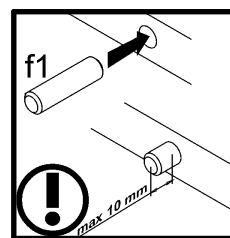
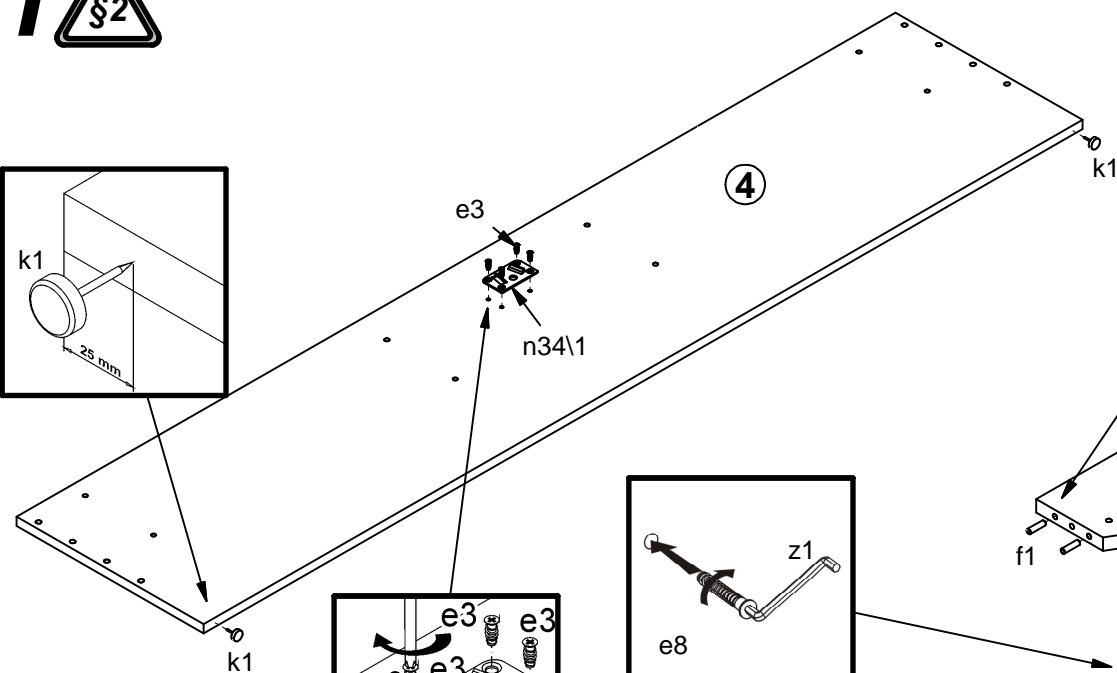
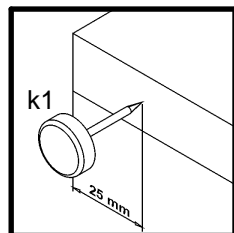


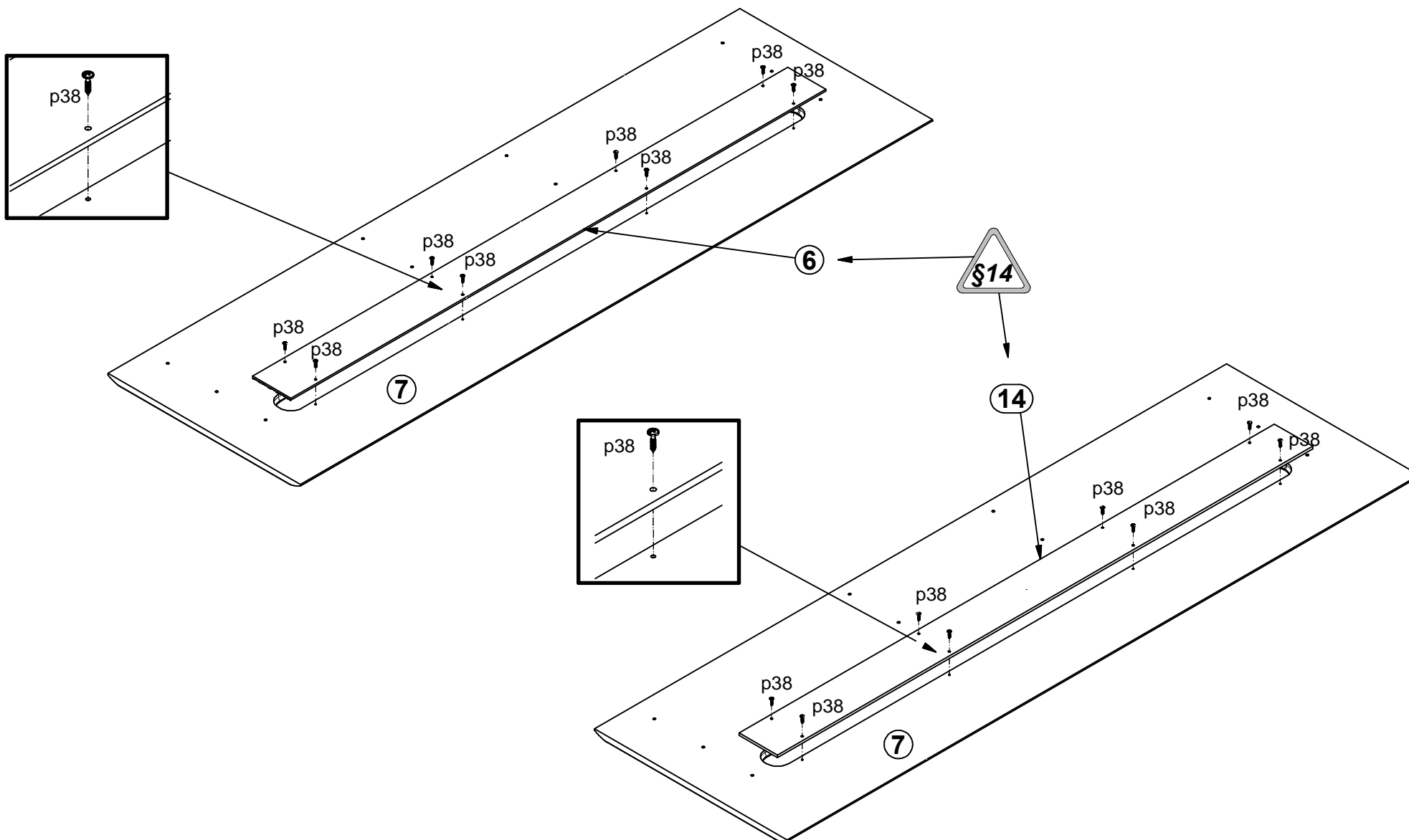
A	B	C1	C2	C3	D
1	S504-1034	2000	250	22	2/3
2	S504-1035	1600	232,	22	1/3
3	S504-1036	2000	250	22	2/3
4	S504-4004	1646,	350	15	1/3
5	S504-4006	250	130	15	2/3
6	S504-5707	1397	100	6,	3/3
7	S504-7307	503	1650	16	3/3
8	S504-7308	252,	1650	16	3/3
9	ZZ1-416	238	70	27	2/3
10	ZZ1-501	1872,	1578,	18	1/1
11	ZZ1-719	1983	70	27	2/3
12	ZZ1-747	1880	25	25	2/3
13	n64				1/3
14	S504-7356	1397	100	6,	3/3

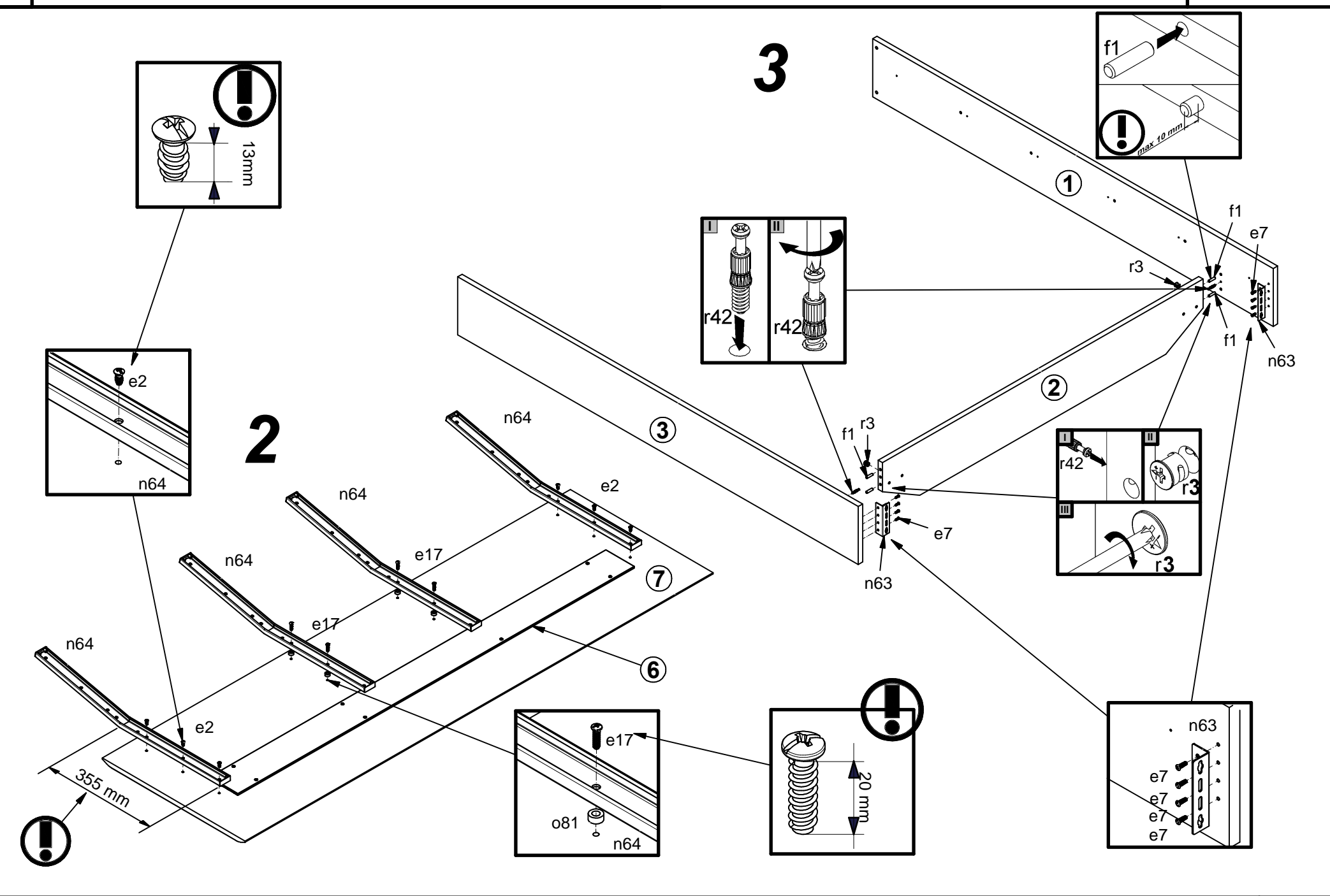


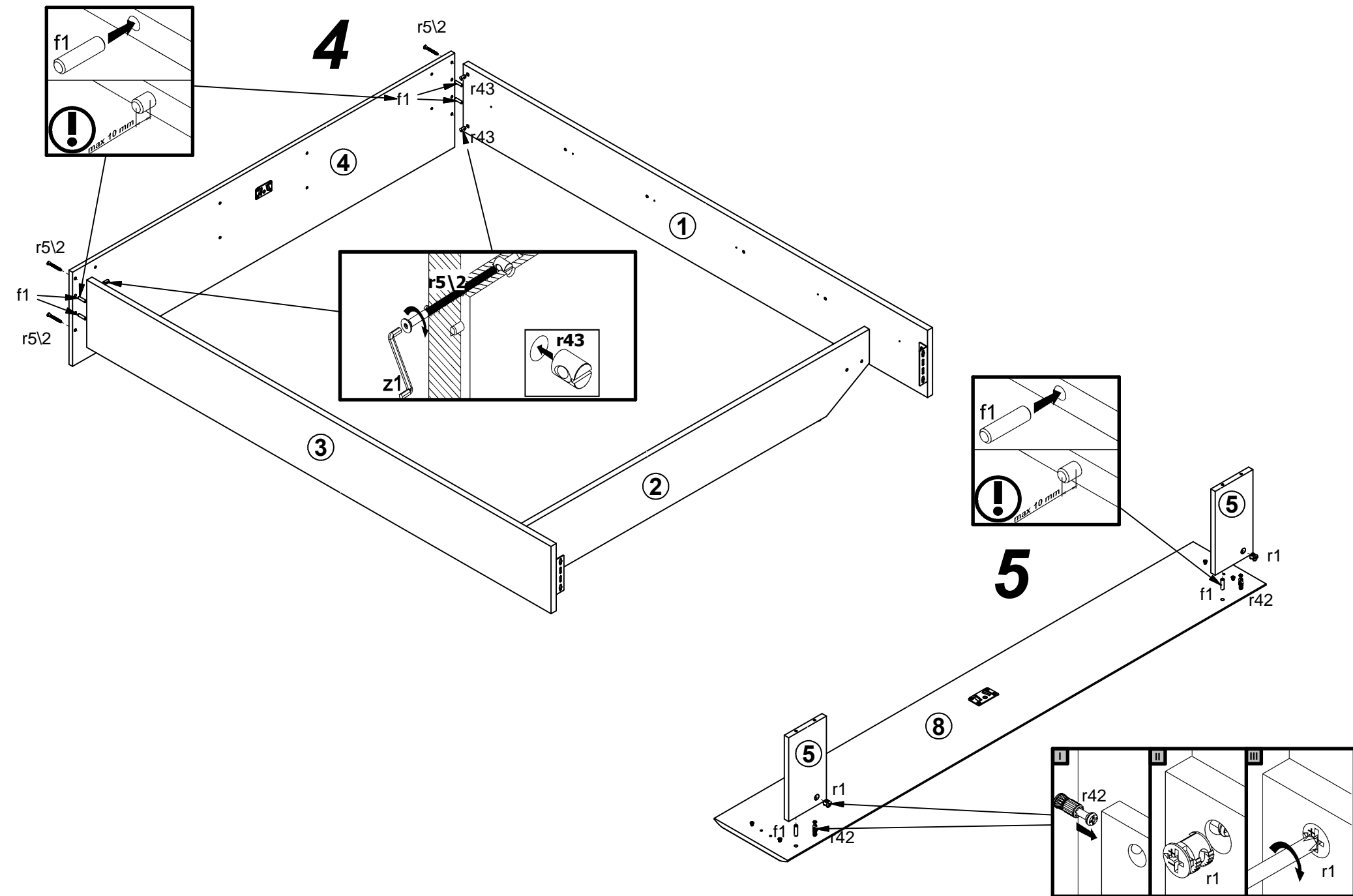
4x Ø7x50 mm e1	14x Ø6,3x13 mm e2	8x Ø6x13 mm e3	8x Ø6,3x16 mm e7	2x Ø7x60 mm e8	4x Ø6,3x20 mm e17	18x Ø8x30 mm f1	8x M6 j10	8x Ø6x25 mm j145	4x k1	2x n34/1	2x n34/2	2x 130x34x34/2 mm n63
8x Ø6xØ12x1,4 mm o40	12x Ø4x40 mm p10	6x Ø3,5x25 mm p16	8x Ø3,5x16 mm p38	2x Ø15x12 mm #16 r1	2x Ø15x15 mm #22 r3	4x r42	4x Ø6x54 mm r5/2	4x Ø10x16 mm r43	4x Ø13xØ7/6 mm o81	6x Ø4x35 mm p6	1x z1	

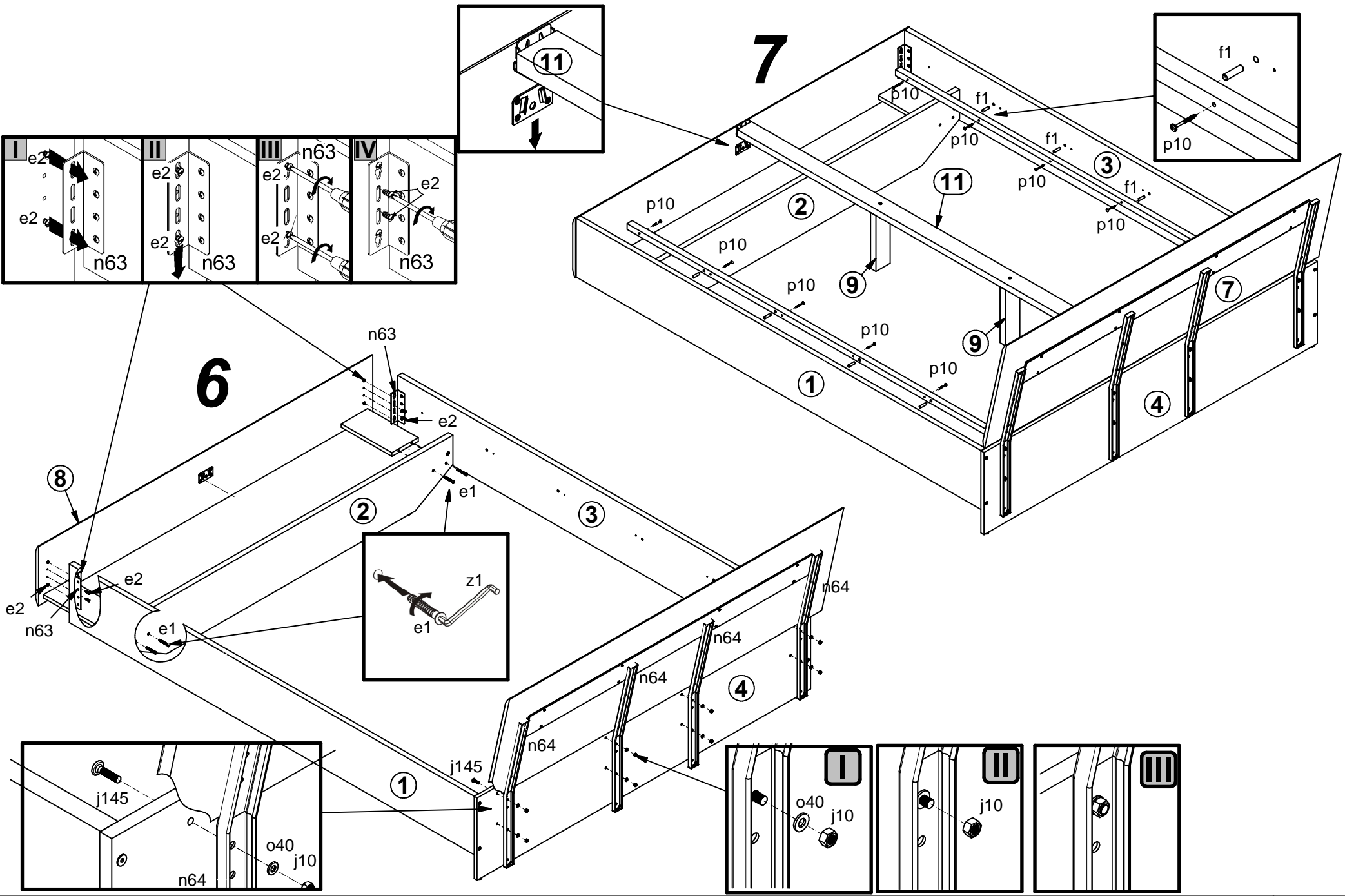


1









7

