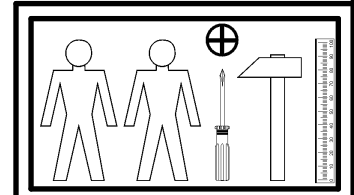
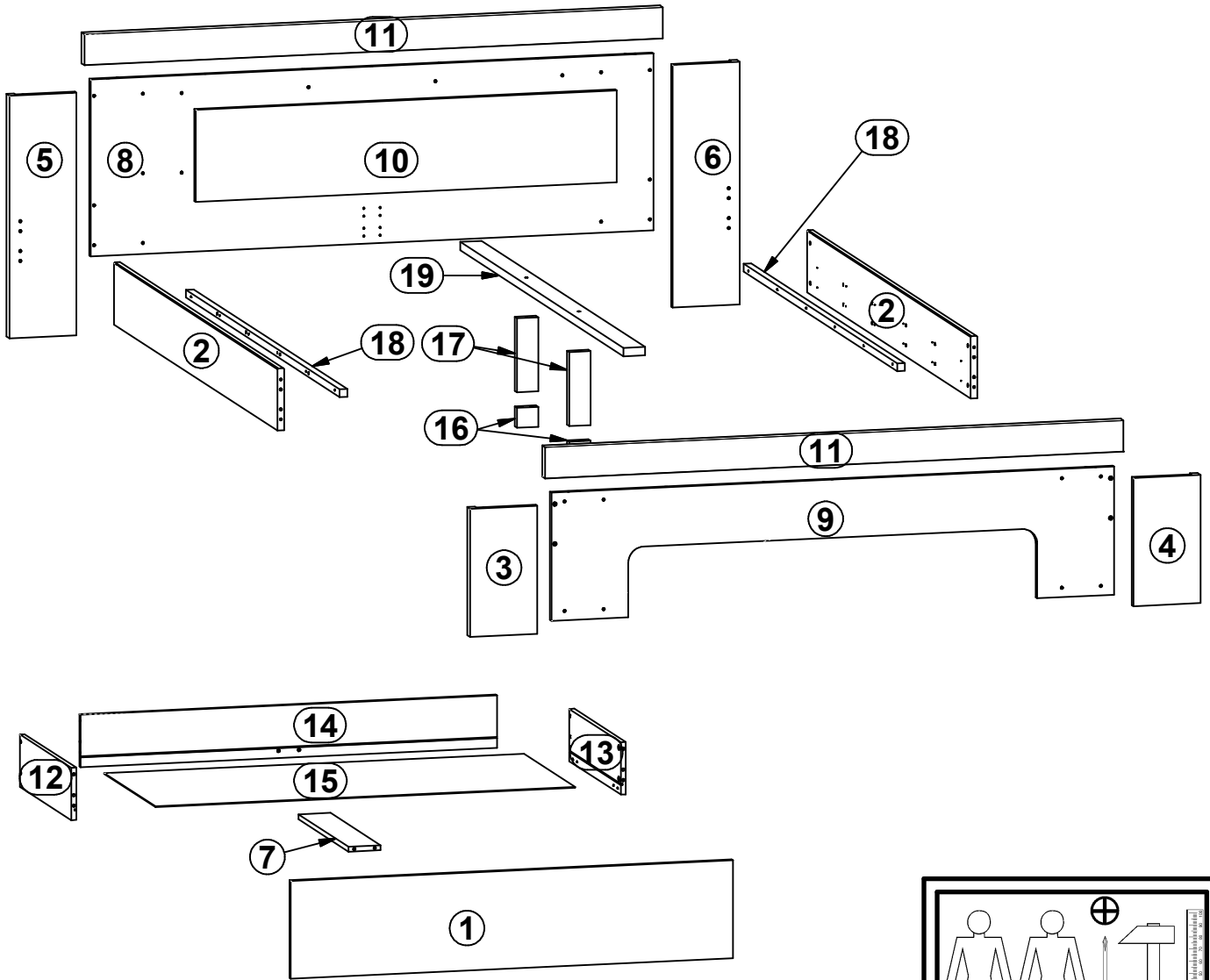
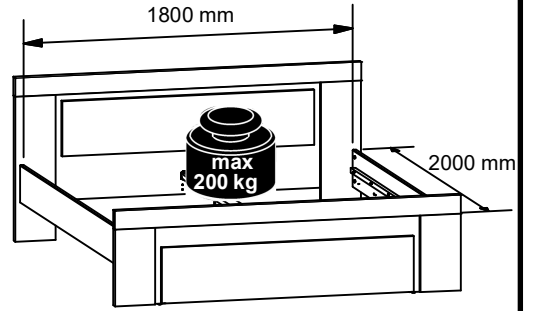
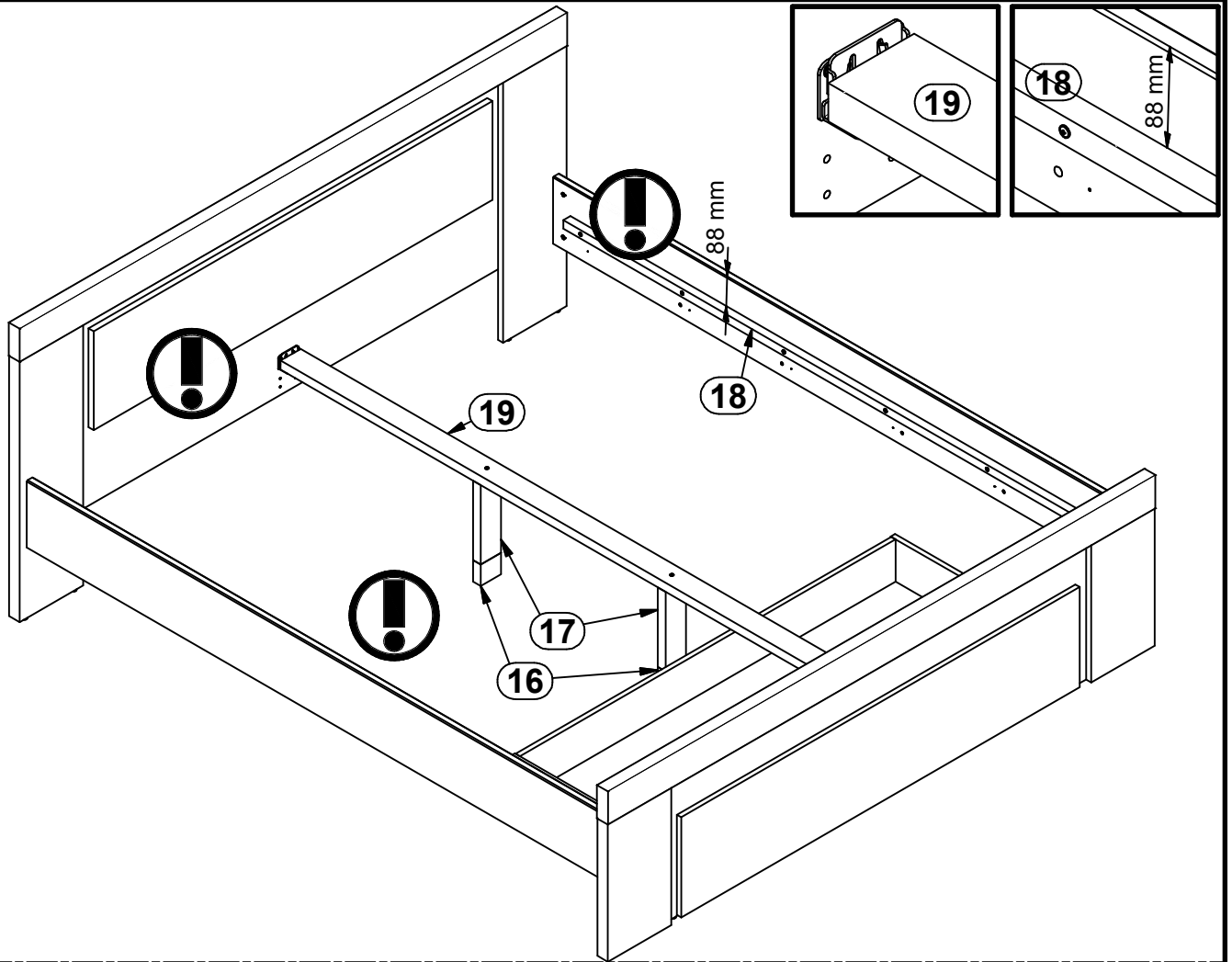


A	B	C	D	A	B	C	D		
1	S317-018	1380	300	3/3	11	S317-510	1895	100	2/3
2	S317-119	2000	200	2/3	12	S317-505	600	160	1/3
3	S317-451	412	220	3/3	13	S317-506	600	160	1/3
4	S317-452	412	220	3/3	14	S317-509	1300	160	1/3
5	S317-453	780	220	3/3	15	S317-919	1310	596	1/3
6	S317-454	780	220	3/3	16	ZZ1-431	64	70	2/3
7	S317-457	583	100	1/3	17	ZZ1-463	238	70	2/3
8	S317-464	1844	569	1/3	18	ZZ1-747	1880	25	2/3
9	S317-465	1844	412	1/3	19	ZZ1-750	1999	70	2/3
10	S317-466	1380	296	3/3					

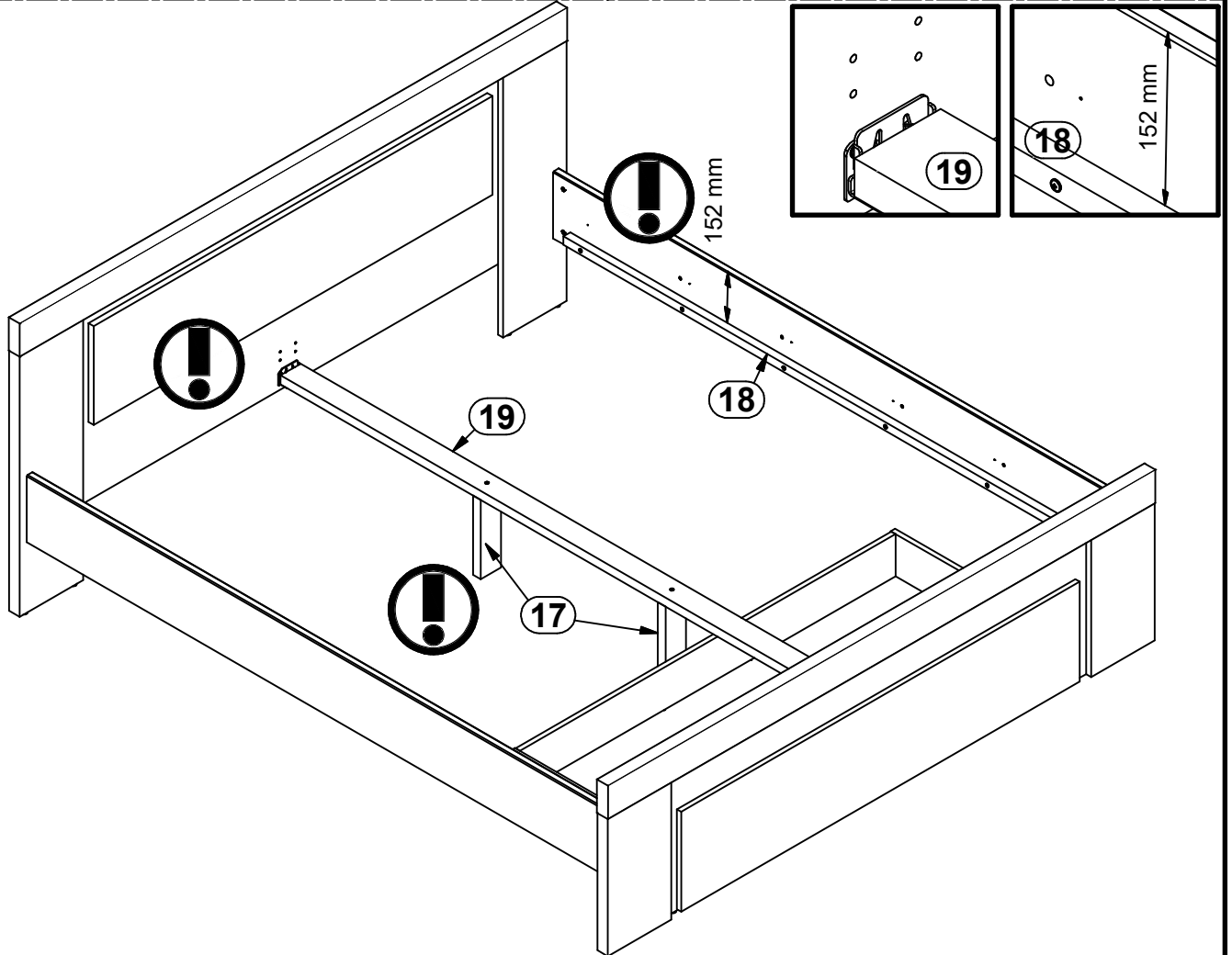


6x Ø7x50 mm e1	8x Ø6.3x13 mm e2	8x Ø6x13 mm e3	2x Ø7x60 mm e8	24x Ø7x28 mm e22	20x Ø8x30 mm f1	4x Ø8x50 mm f6	20x Ø8x40 mm f41	8x M6x84 mm j138
8x k1	4x k44	12x l2	2x n341	2x n342	6x Ø4x35 mm p6	12x Ø4x40 mm p10	6x Ø3.5x25 mm p16	18x Ø15x12 mm #16 r1
6x 20/11 r42	8x Ø10x16 mm r43	6x 40 mm r51	8x s1	3x Ø16 s2	3x Ø15 s51	1x z1		

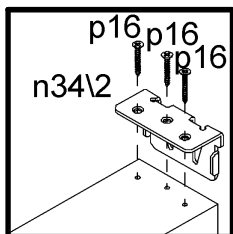
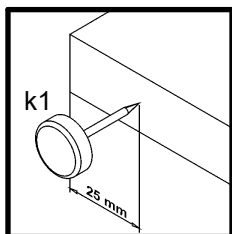
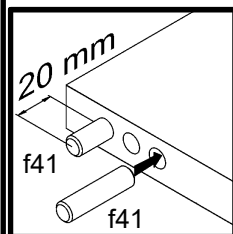
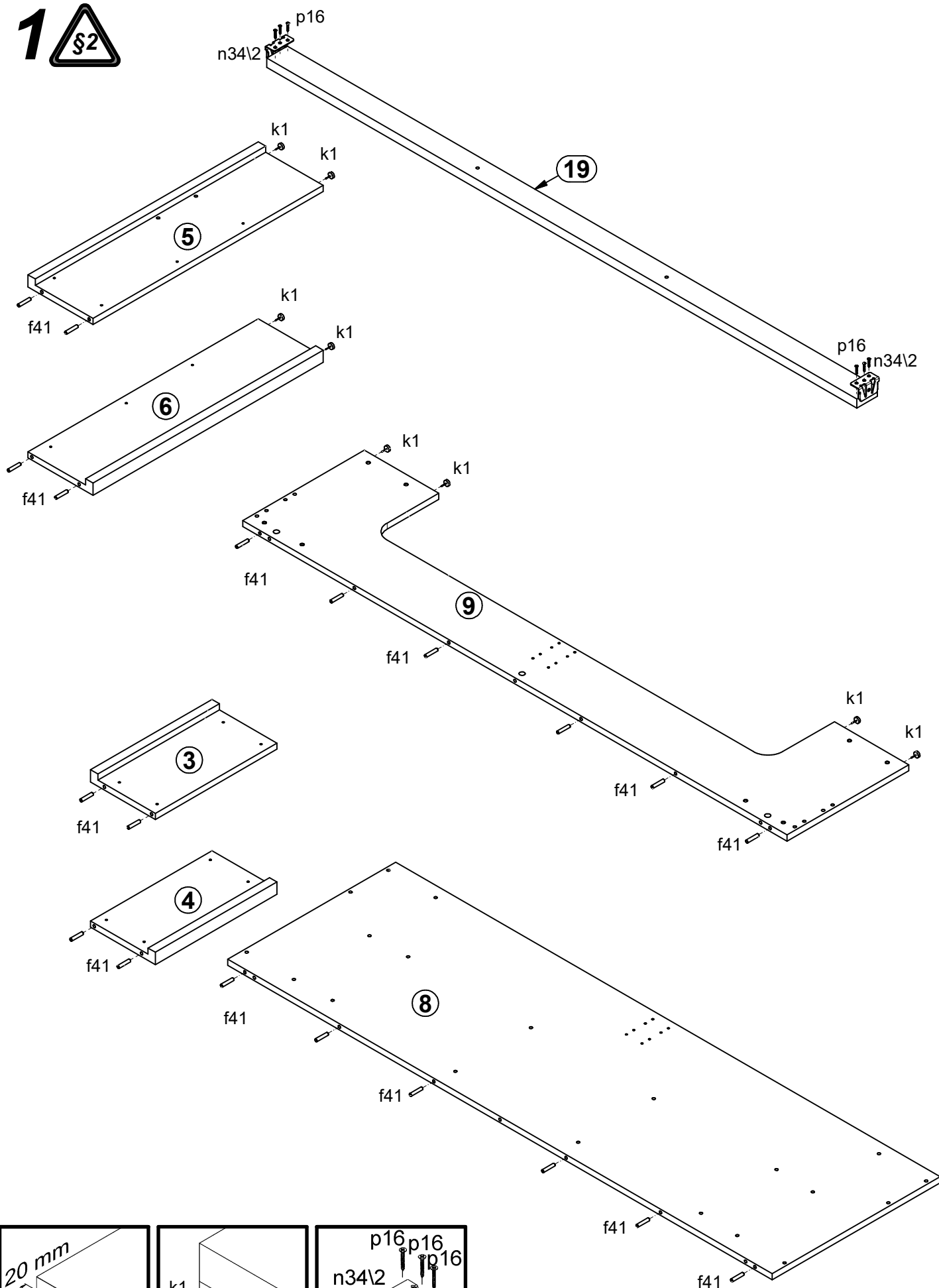
A



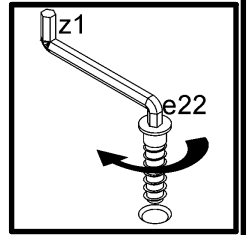
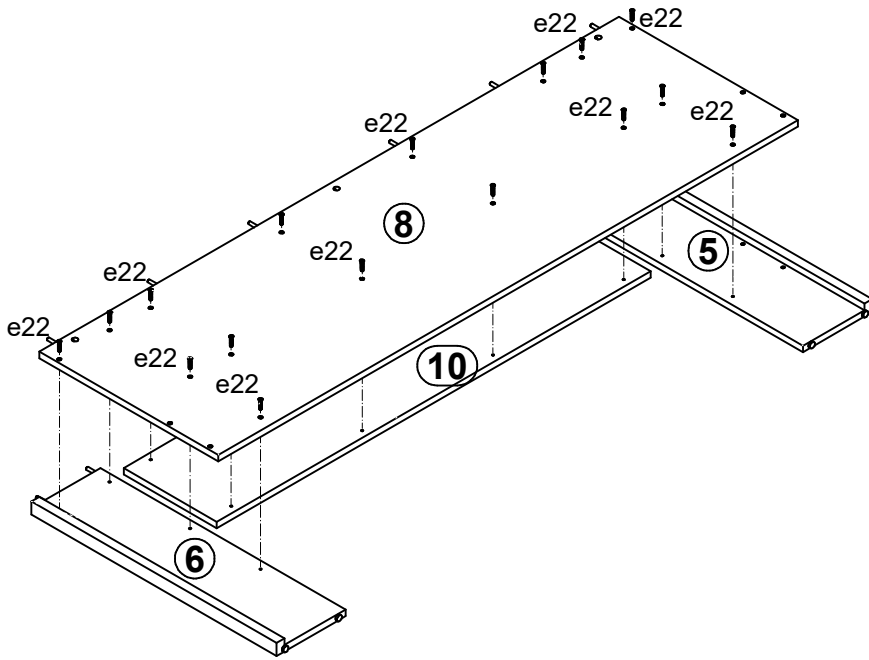
B



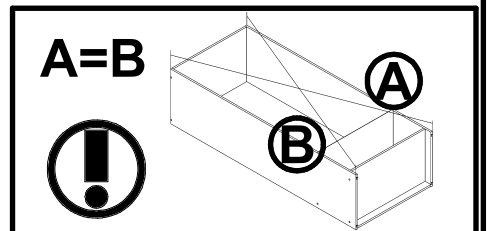
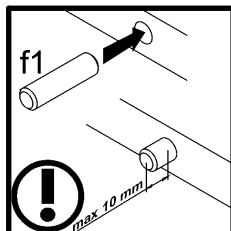
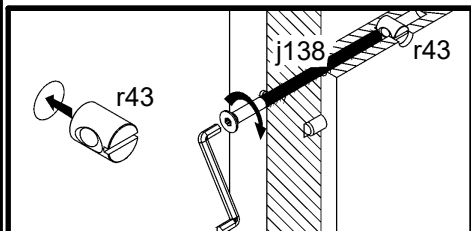
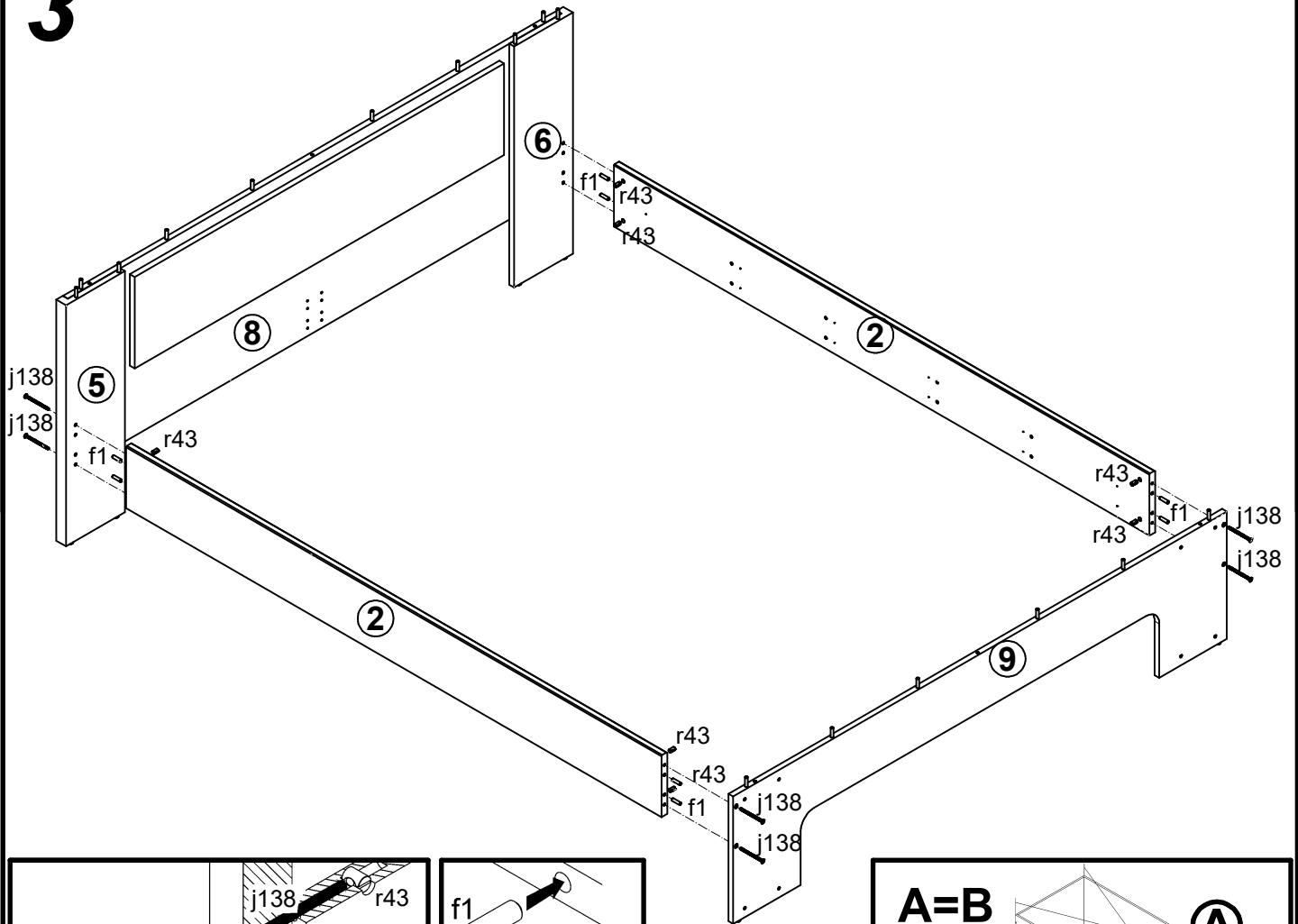
1 



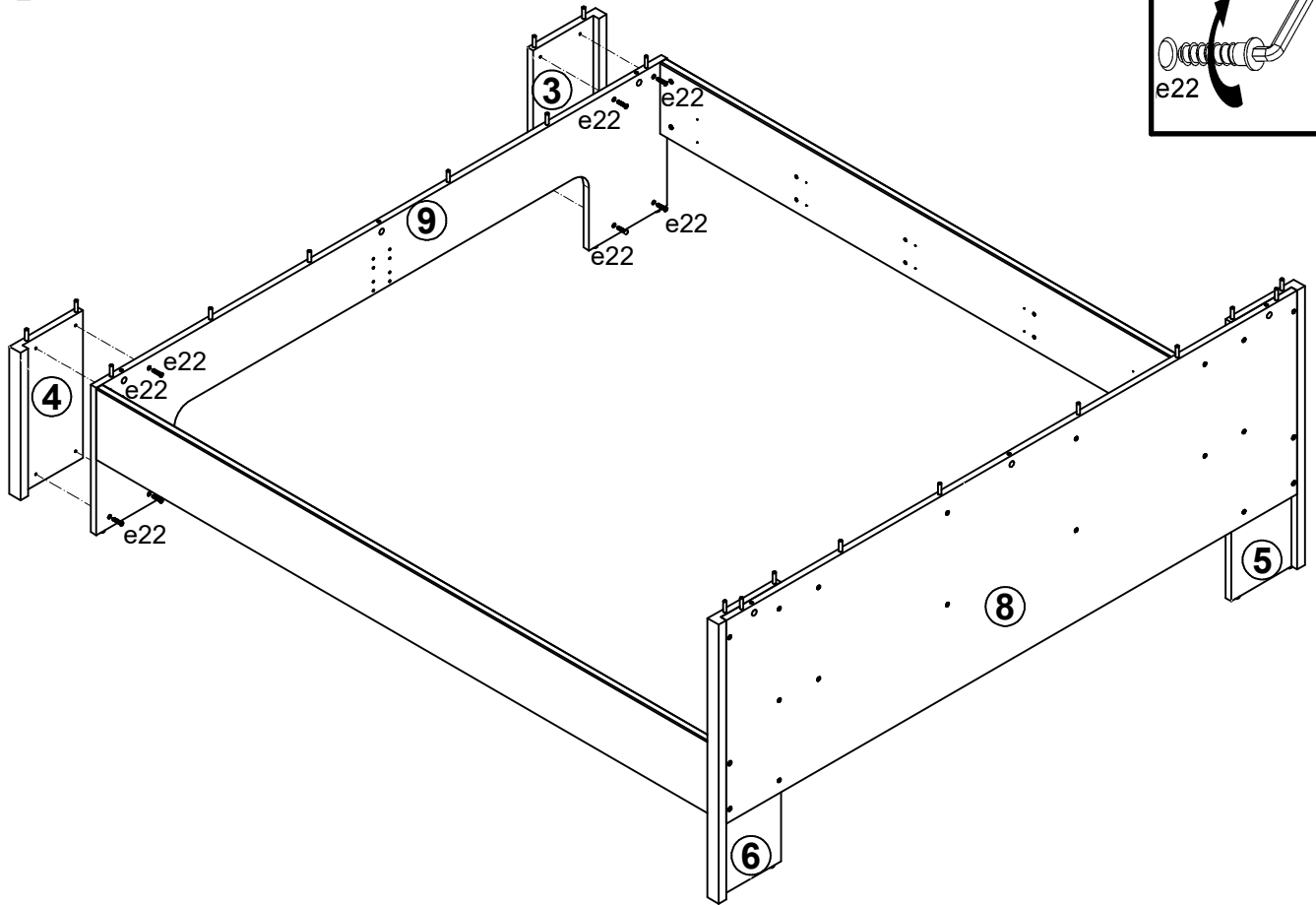
2 



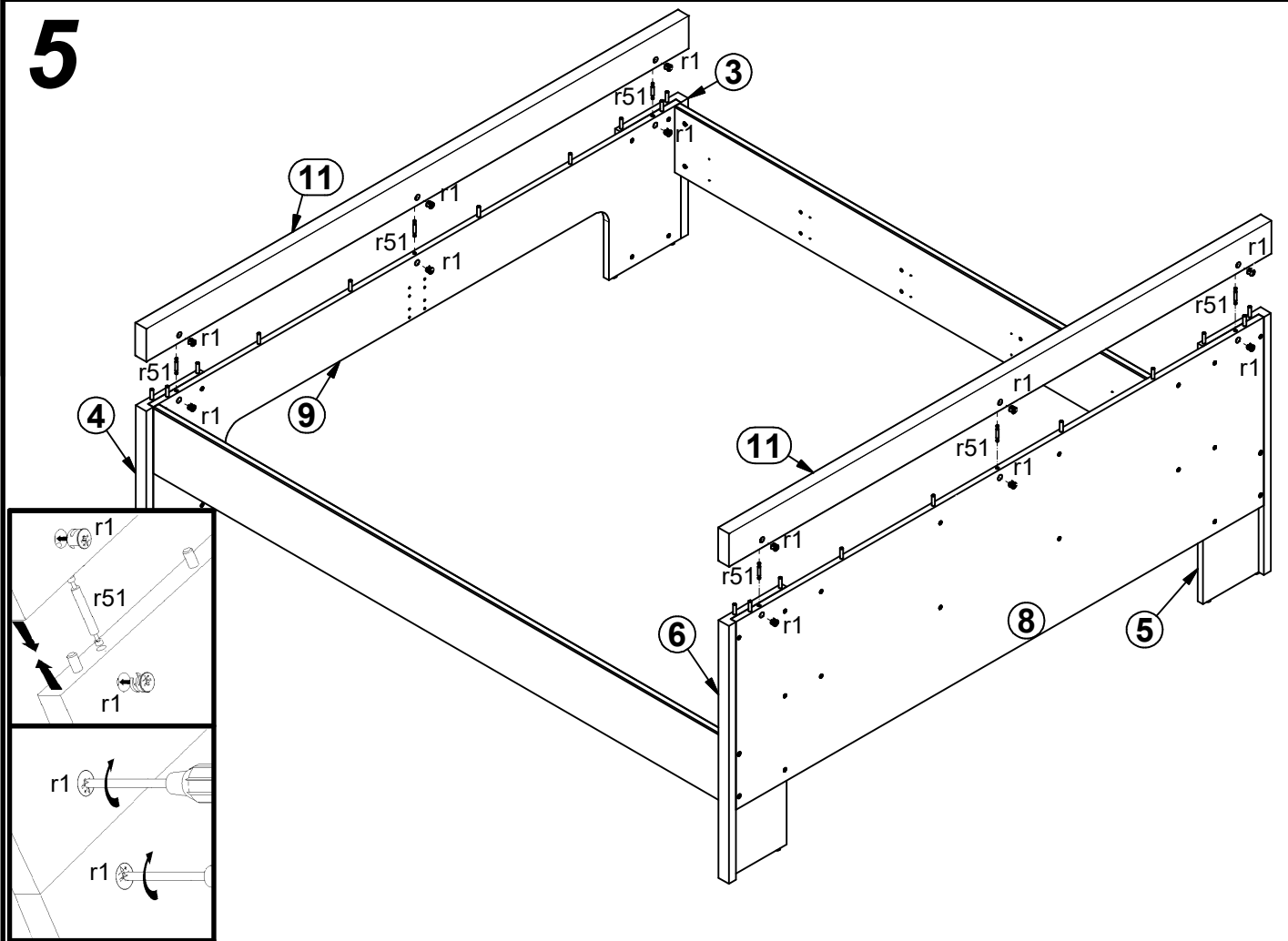
3



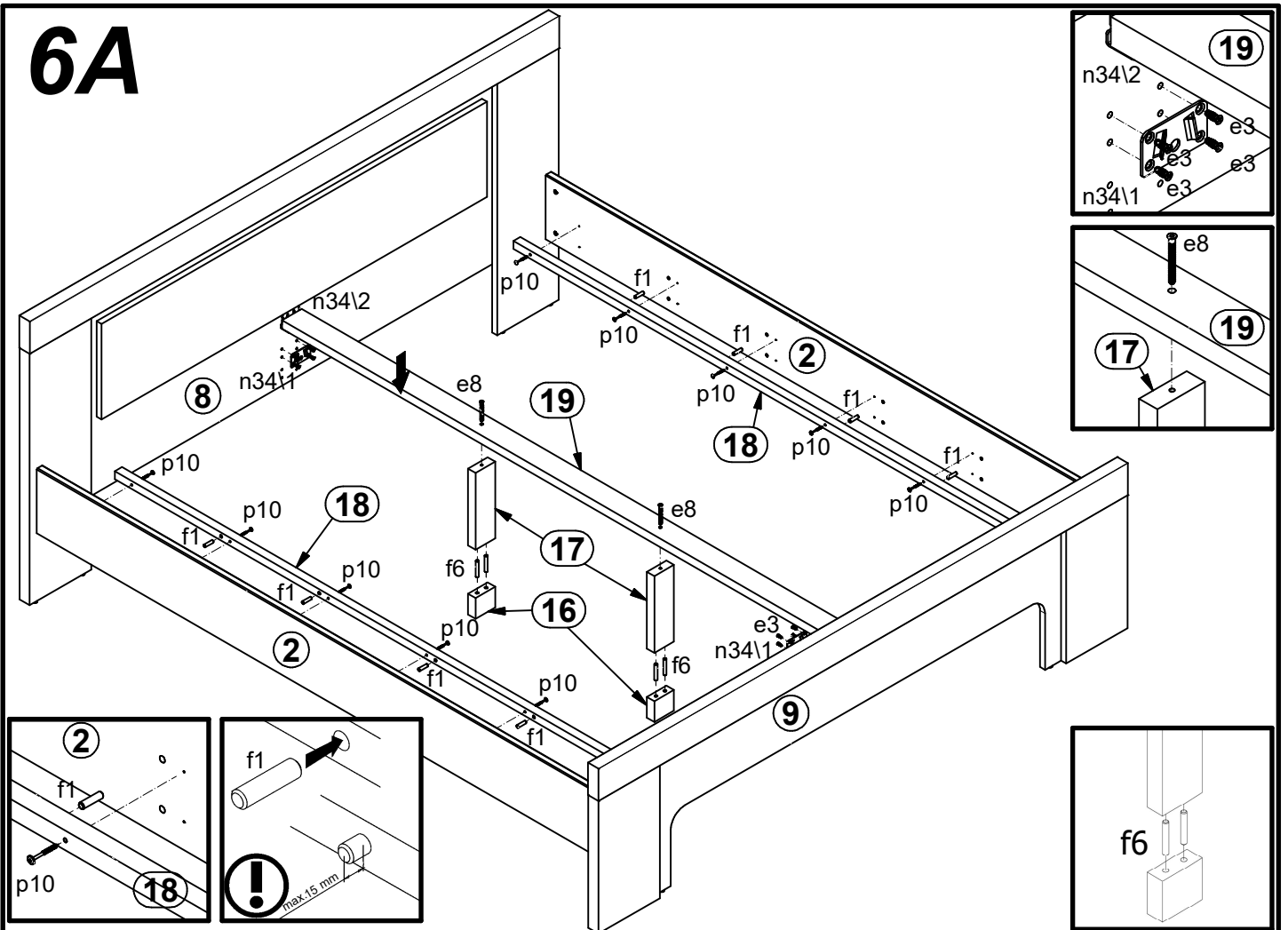
4



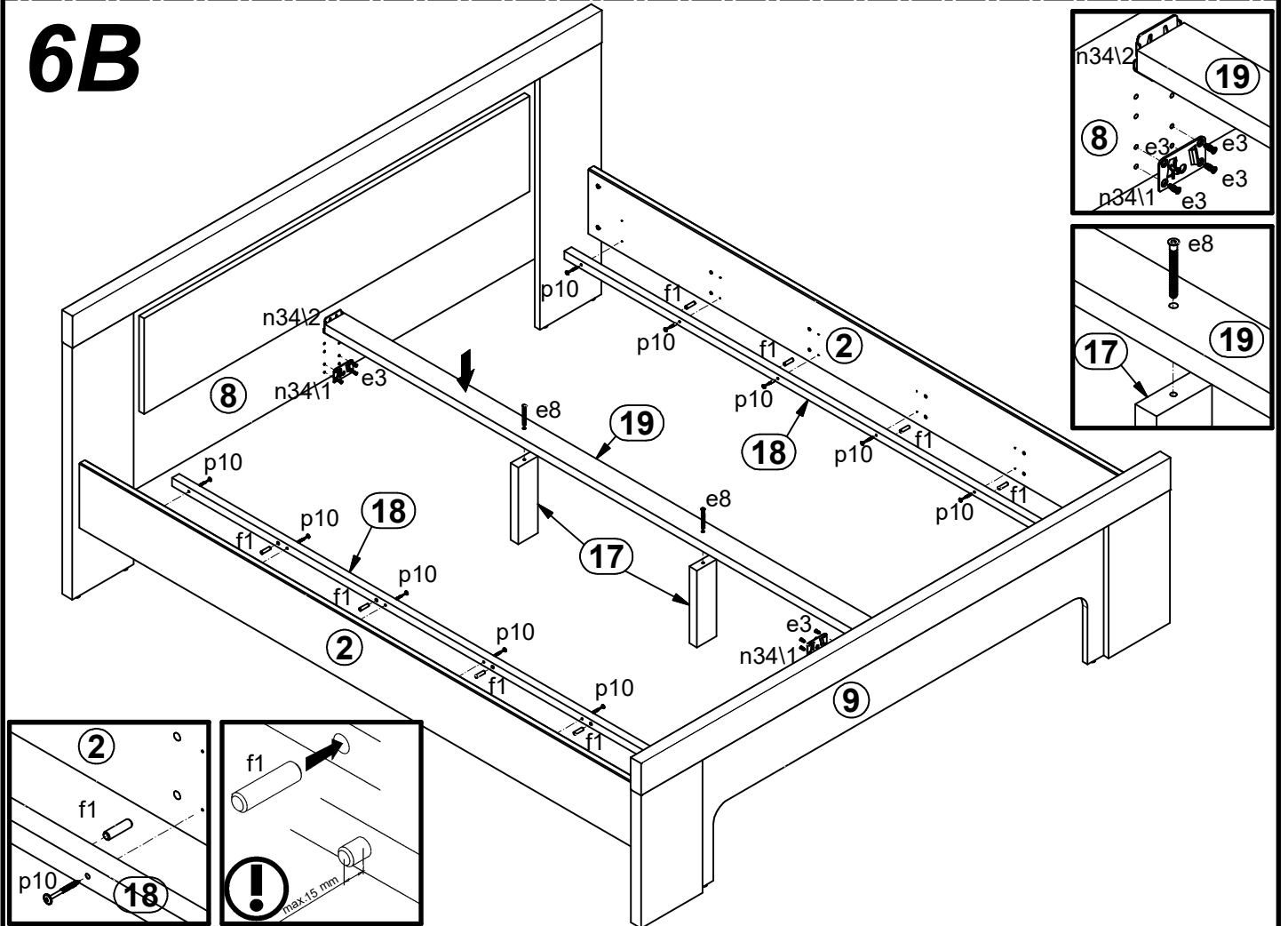
5



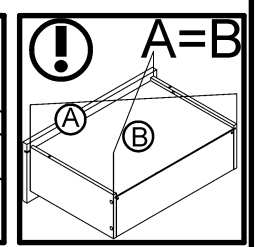
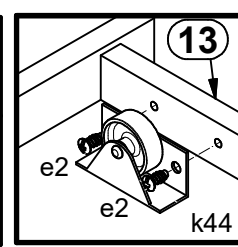
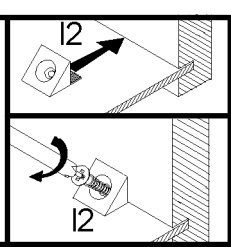
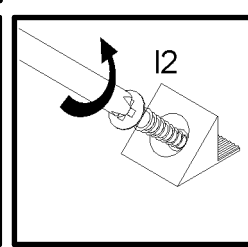
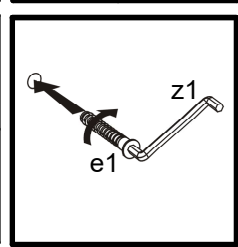
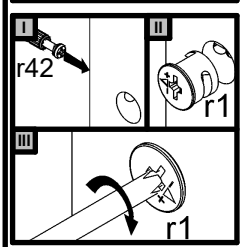
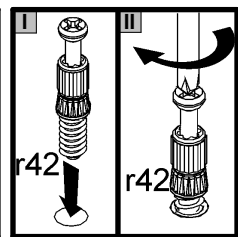
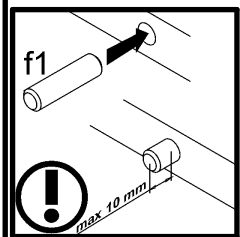
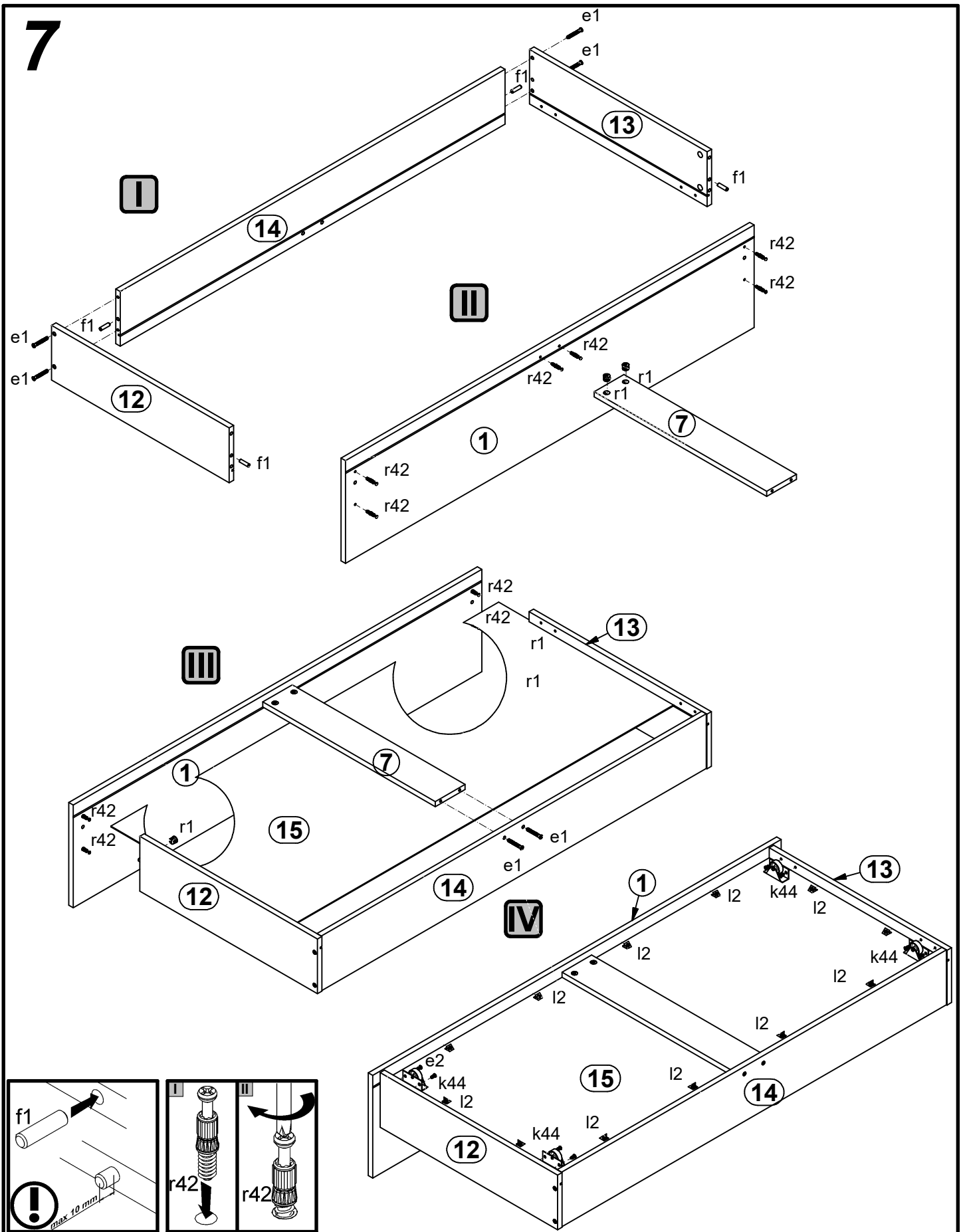
6A



6B



7



8

