

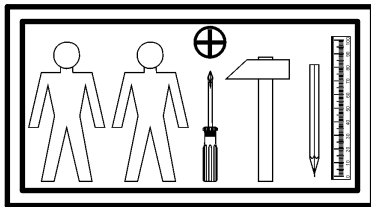
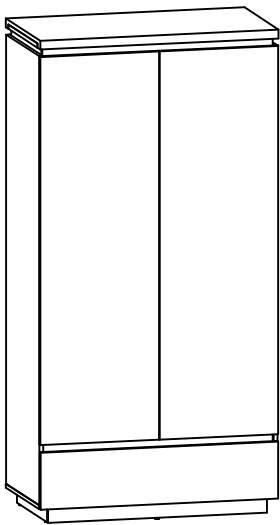
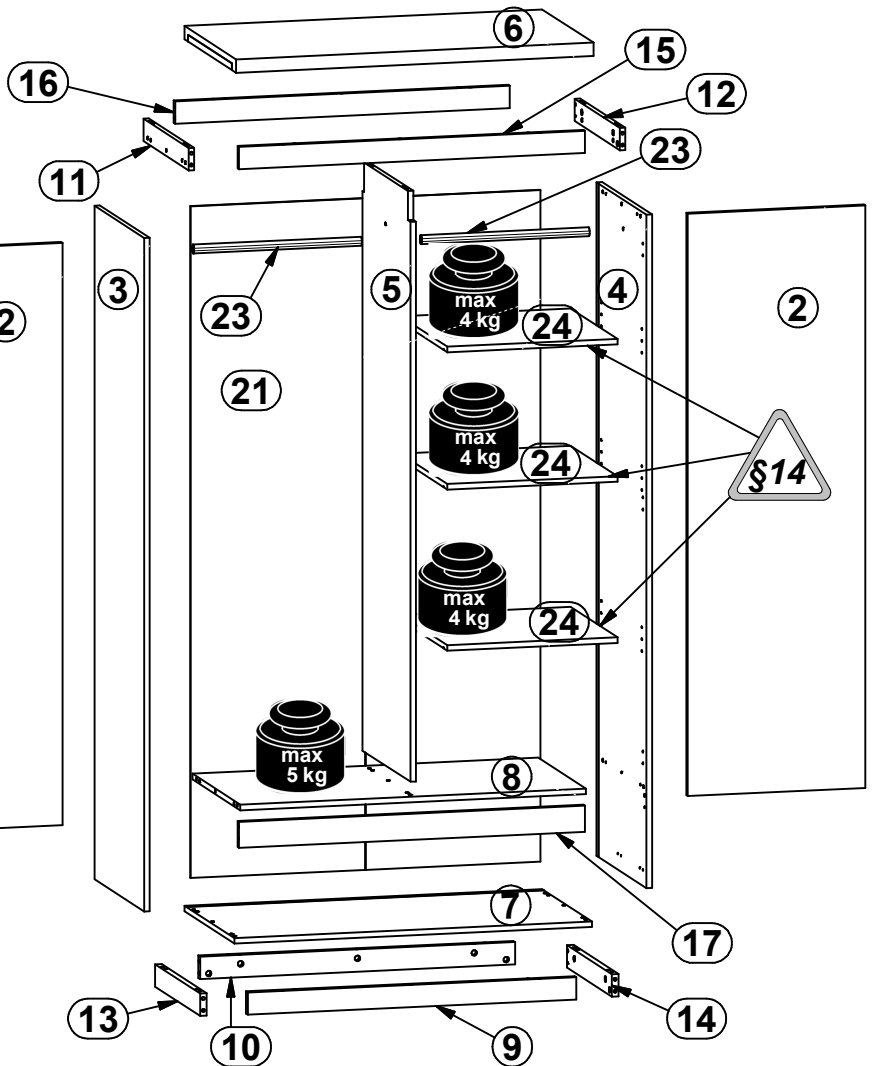
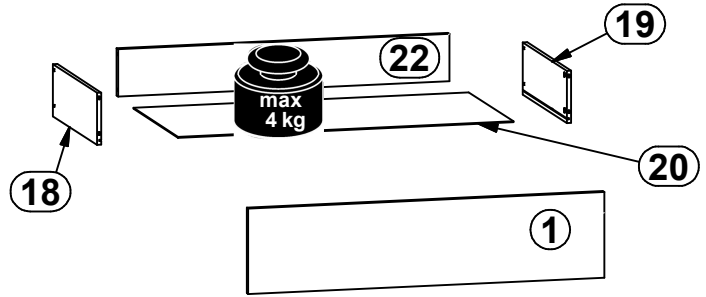
**A**

**ERLA**

**S426-SZF2D1S**

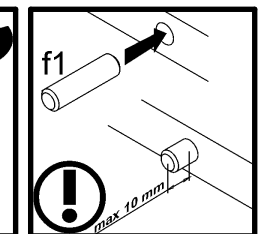
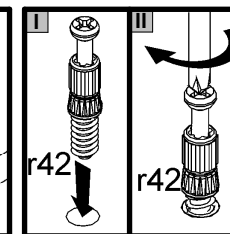
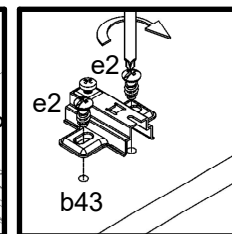
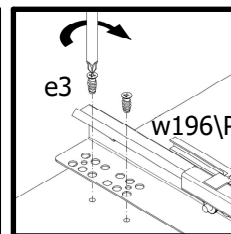
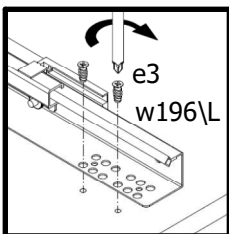
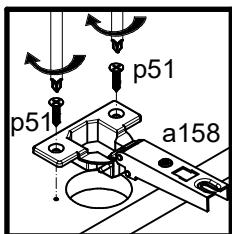
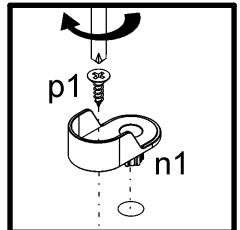
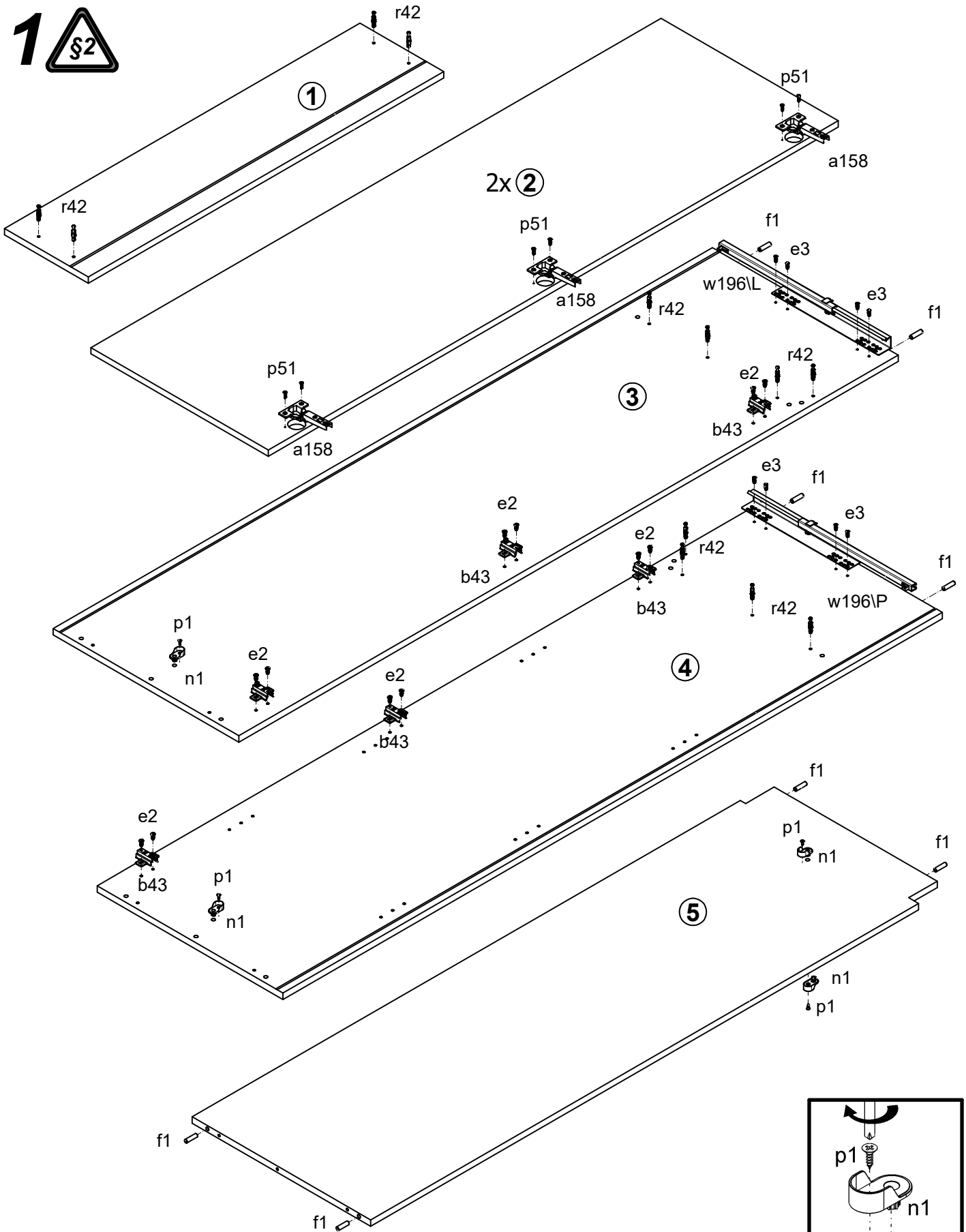
A	B	C	D
1	S426-0007	976,	230
2	S426-0013	1565	487
3	S426-1018	1810	510
4	S426-1019	1810	510
5	S426-1020	1583	490
6	S426-2013	980,	526
7	S426-2014	980,	510
8	S426-3011	948	489
9	S426-4013	900,	60
10	S426-4014	863,	60
11	S426-4022	463	60
12	S426-4023	463	60
13	S426-4024	460	60
14	S426-4025	460	60
15	S426-4026	948	60
16	S426-4034	917,	60
17	S426-4039	948,	70
18	S426-5053	450	140
19	S426-5054	450	140
20	S426-9009	919	457
21	S426-9309	1805	959,
22	ZQ6-5003	908	127
23	dr-460	460	22

A	B	C	D
24	S426-3012	466	480

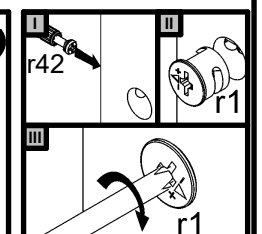
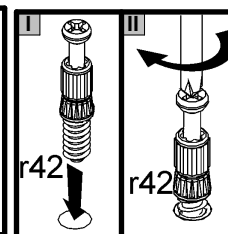
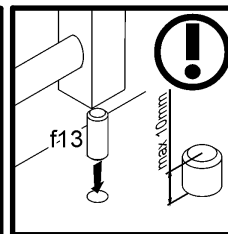
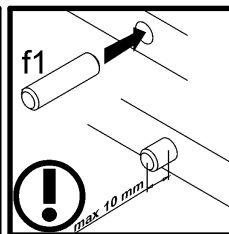
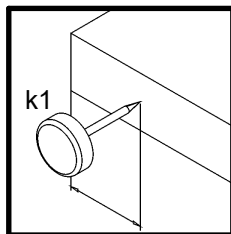
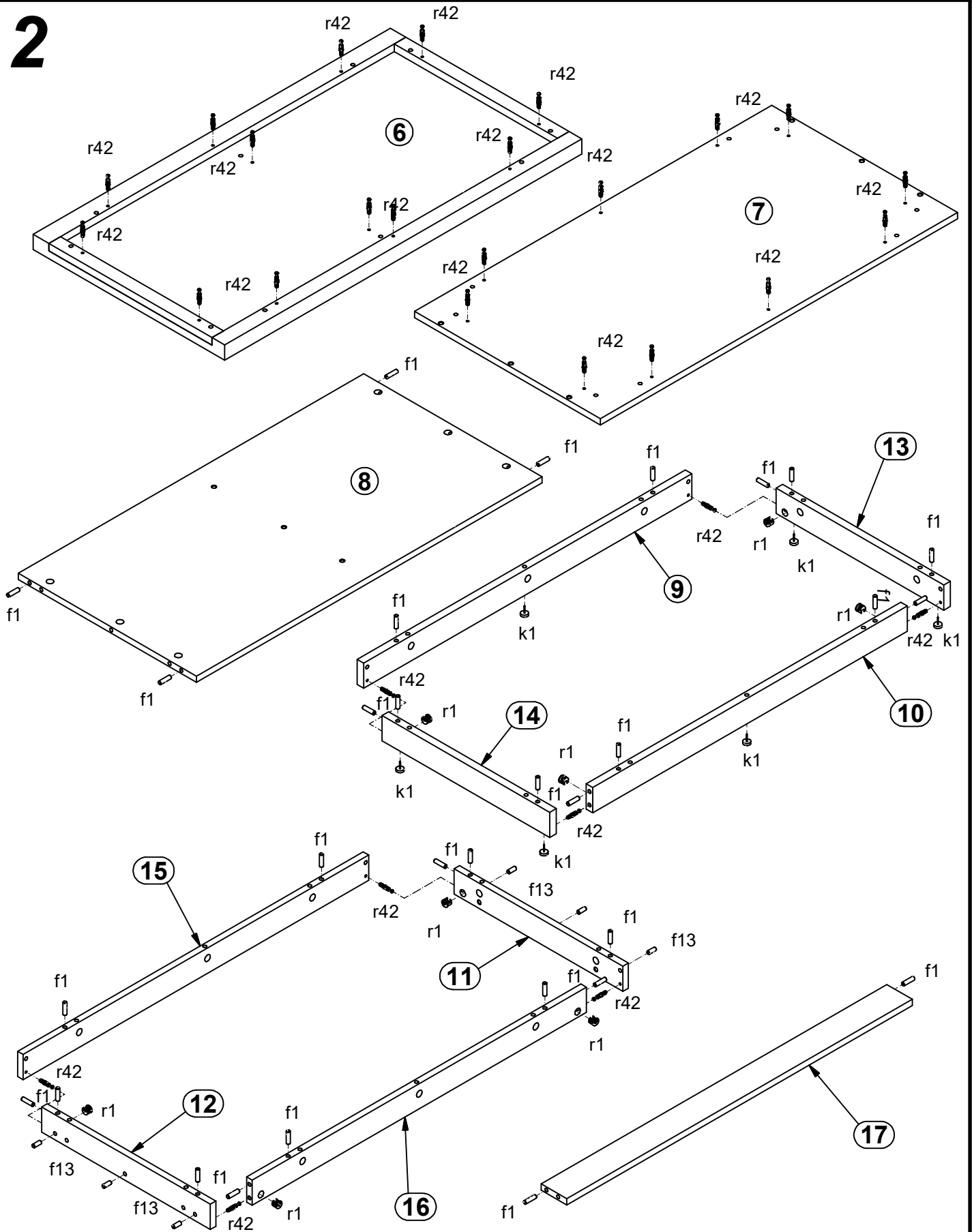


2x  a133	6x  a158	6x  b43	9x  e1 Ø7x50 mm	12x  e2 Ø6,3x13 mm	8x  e3 Ø6x13 mm	4x  e45 Ø7x24 mm	38x  f1 Ø8x30 mm	6x  f13 Ø8x20 mm
4x  f25 Ø6,5x40 mm	6x  k1	14x  l2	4x  n1 h=22mm	4x  p1 Ø3,5x13 mm	2x  p25 Ø3,5x16 mm	2x  p35 Ø3,5x10 mm	7x  p38 Ø3,5x16 mm	12x  p51 Ø3,5x15 mm
17x  p55 Ø2,9x16 mm	6x  p93 Ø4x13 mm	38x  r1 Ø15x12 mm #16	4x  r15 Ø12x10,5 mm #12	42x  r42 20/11	2x  t38 450 mm	1x  w196/L L=450 mm	 12x  d1 Ø5x17 mm	
1x  w196/P L=450 mm	4x  s1	8x  s2 Ø16	1x  z1 4 mm	1x  n26				

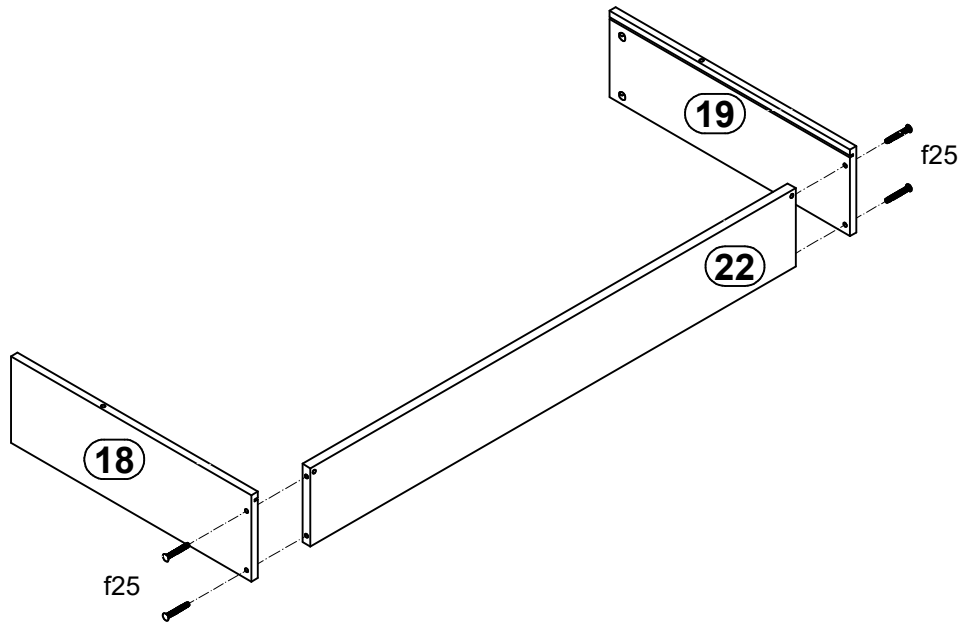
1 



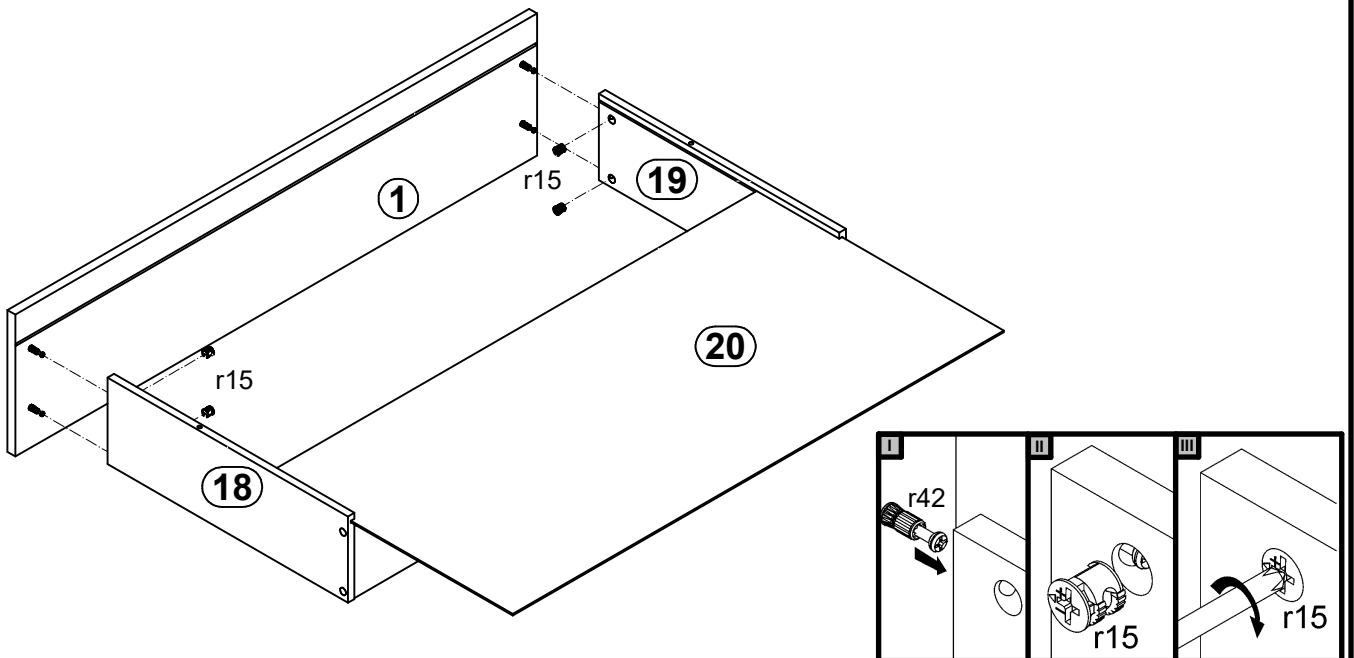
# 2



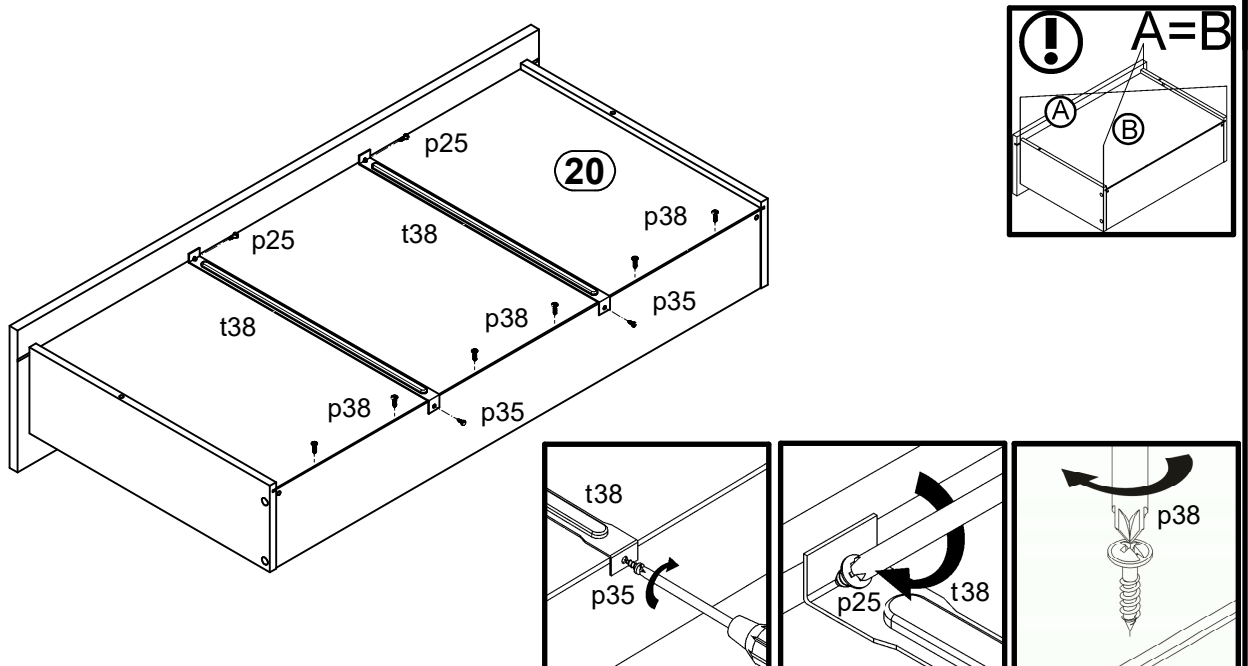
# 3



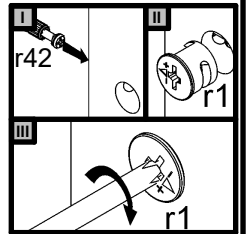
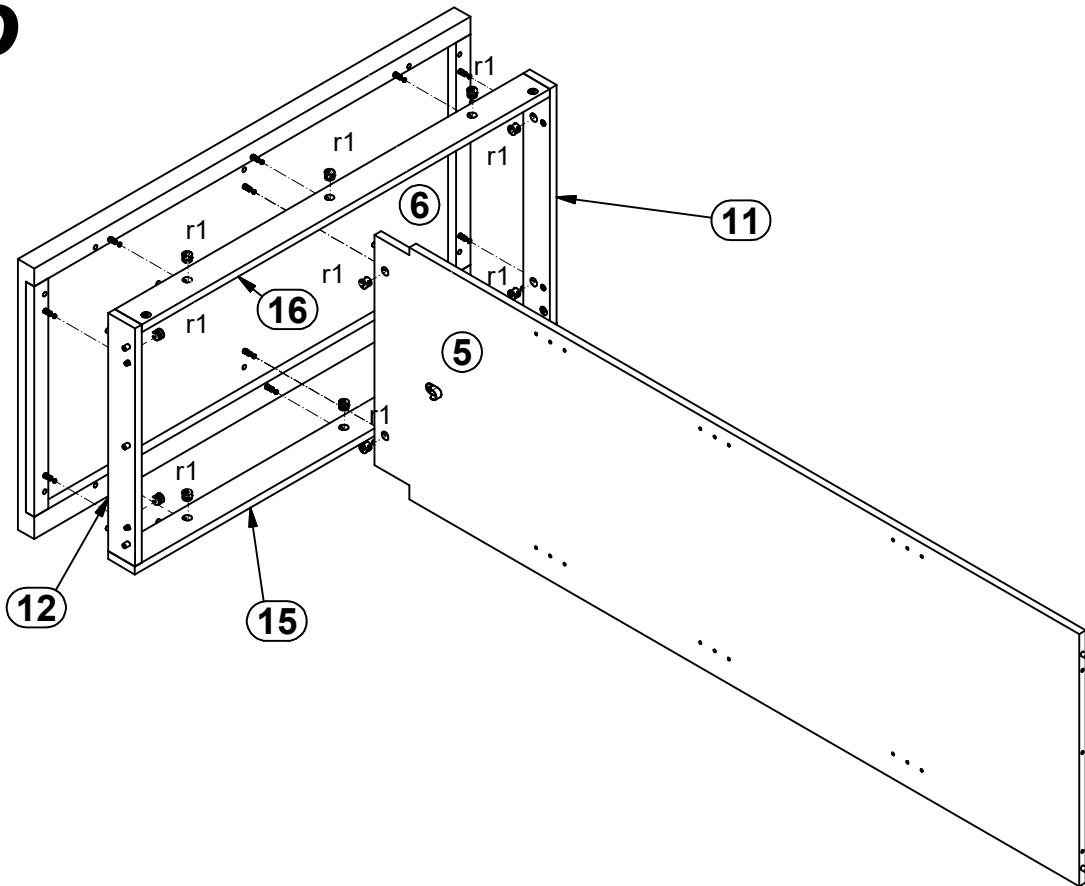
# 4



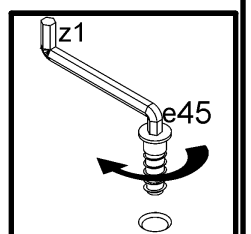
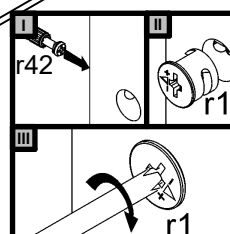
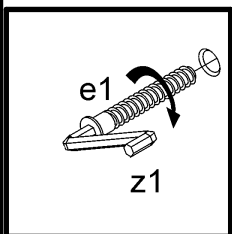
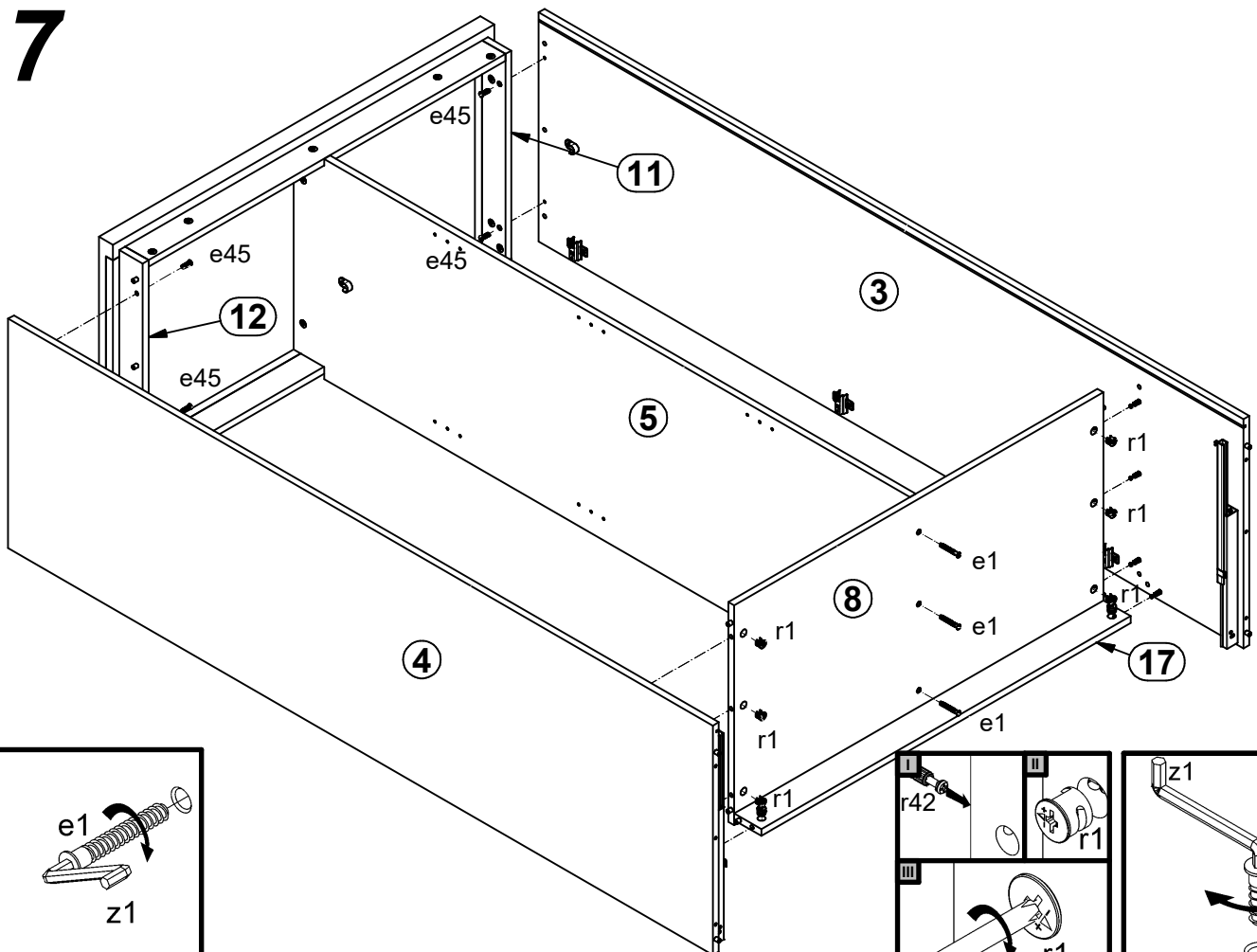
# 5



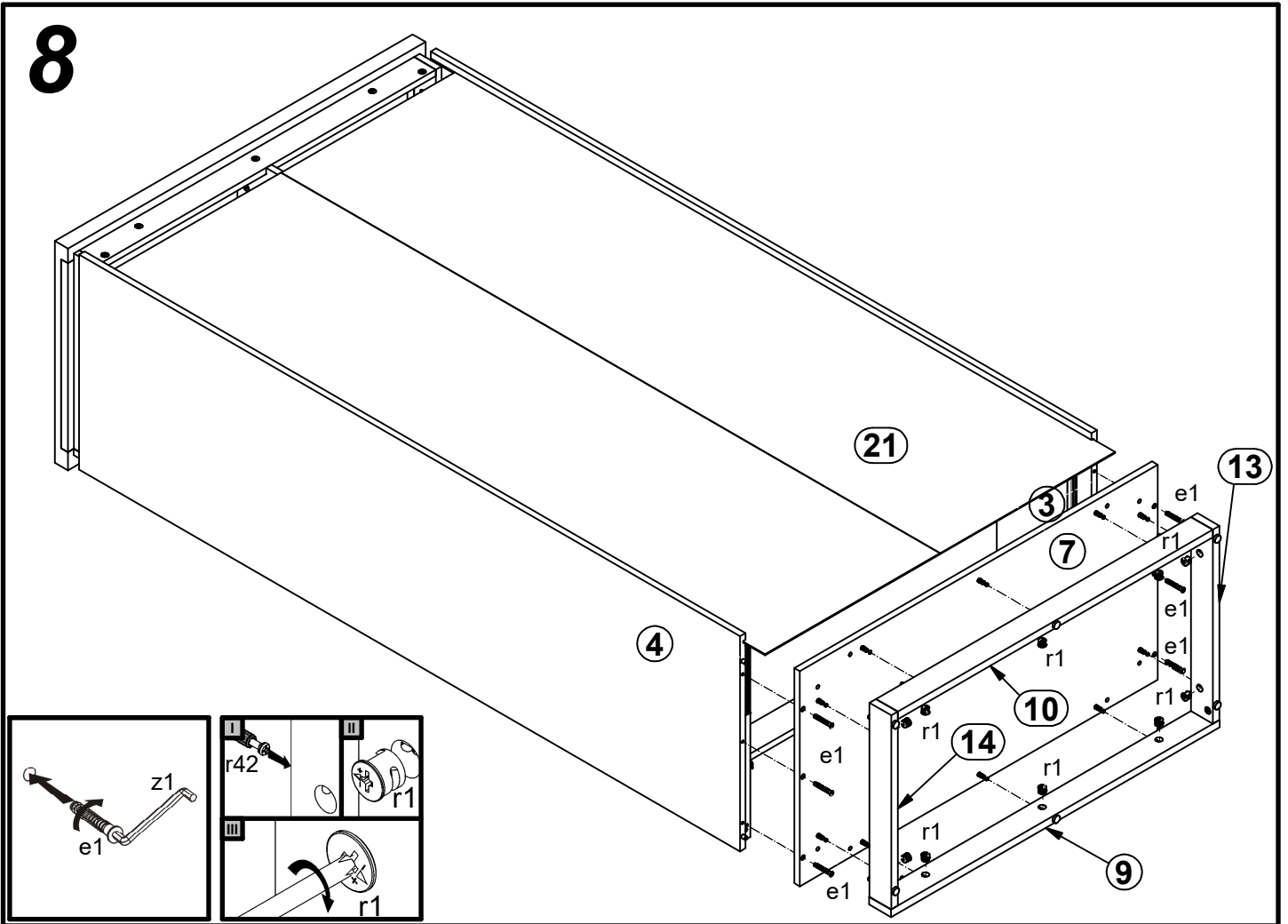
# 6



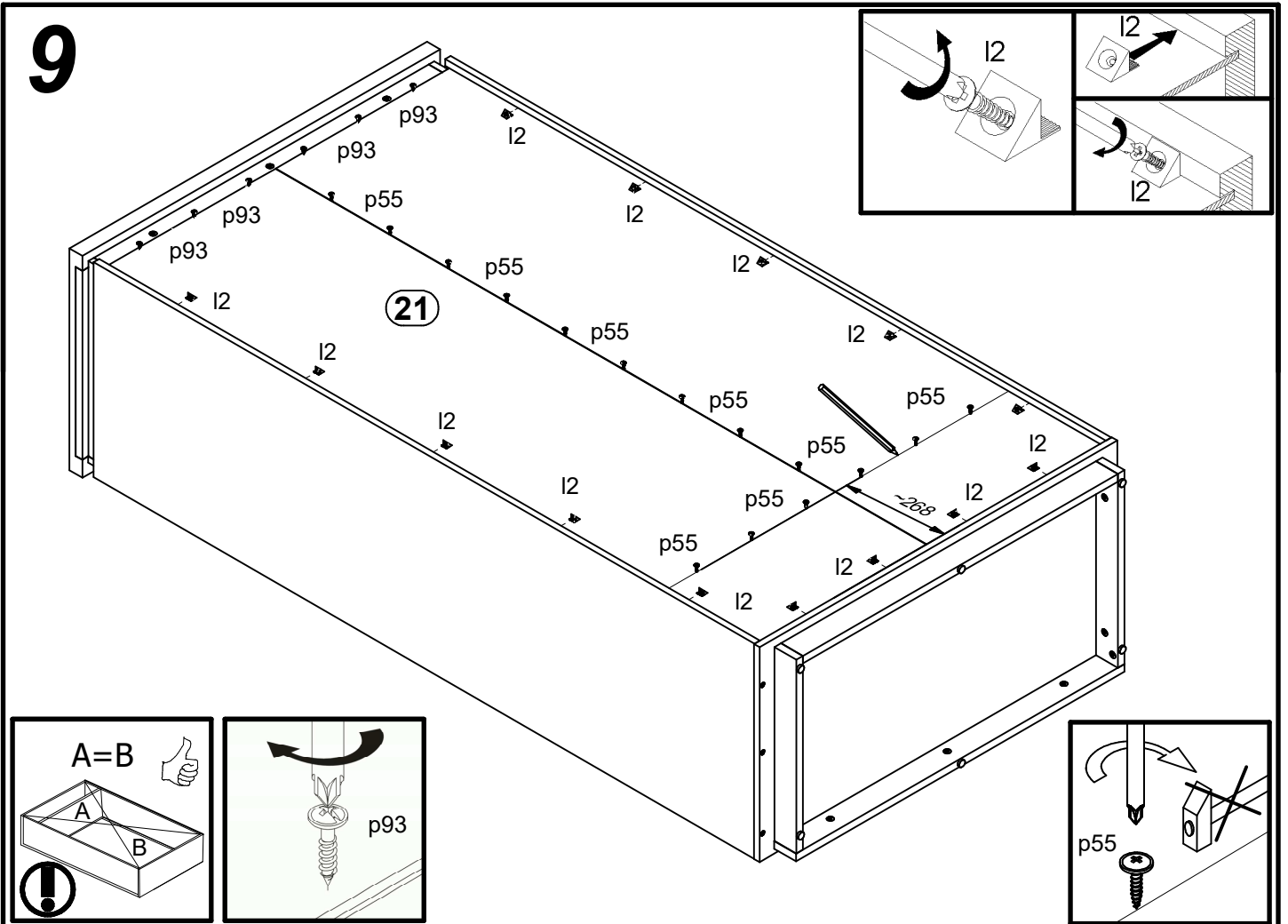
# 7



# 8



# 9



# 10

