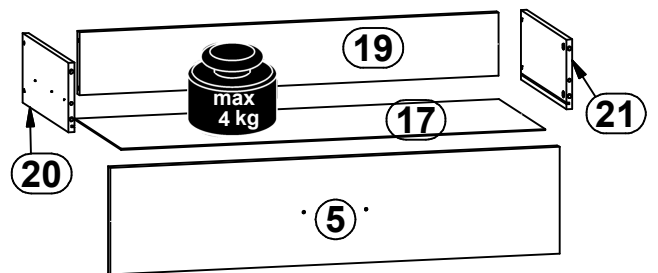
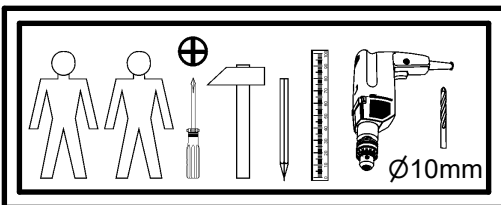
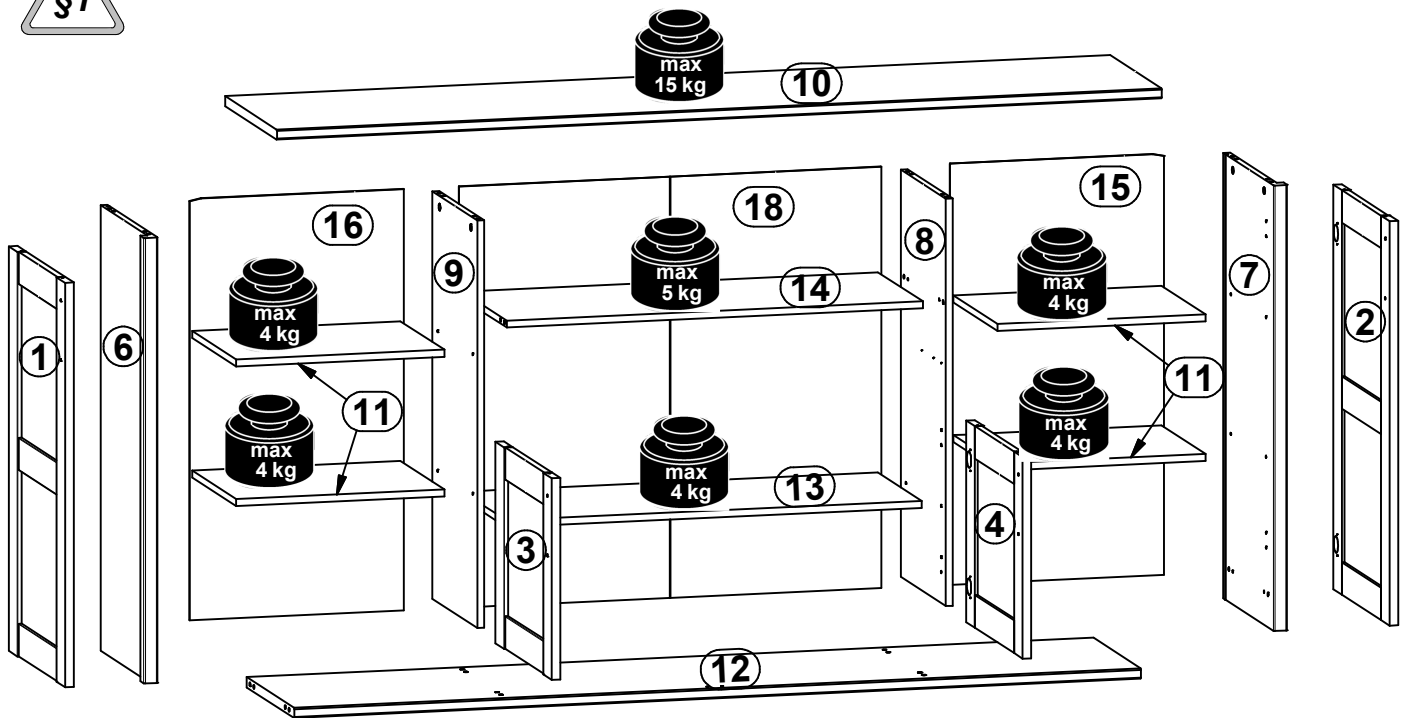
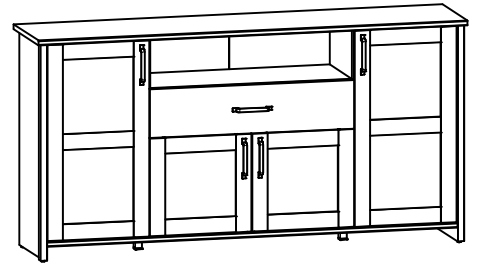
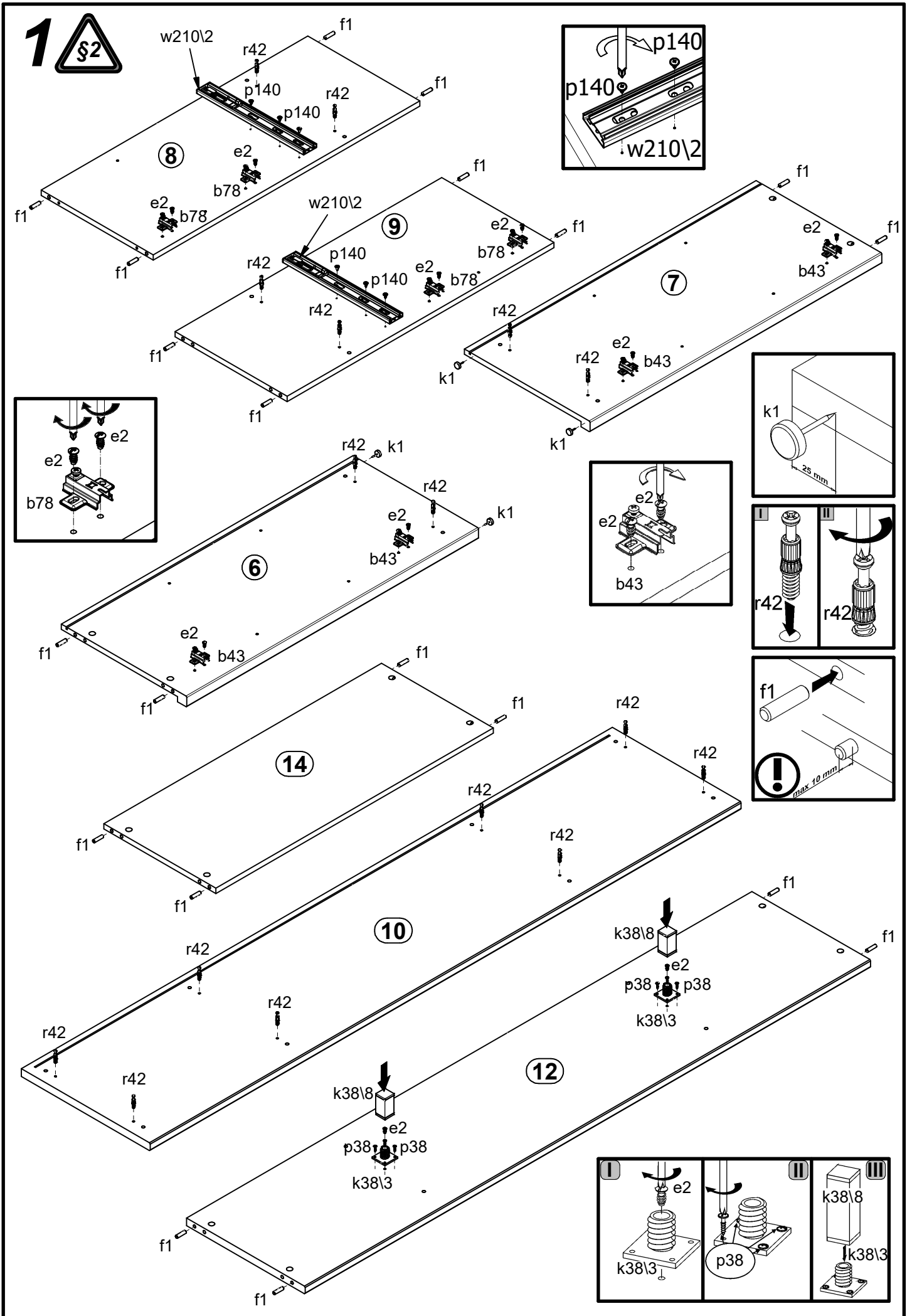


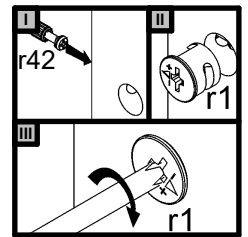
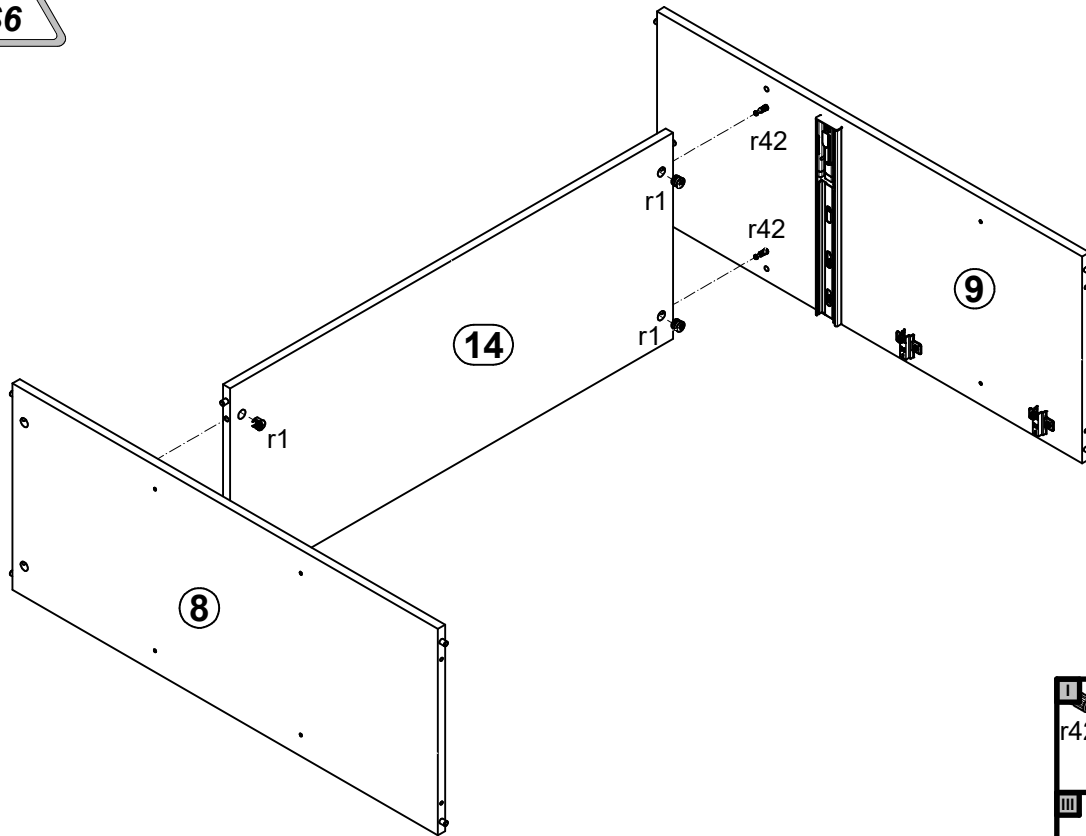
A	B	C	D	A	B	C	D		
1	S455-0005	869	460	1/3	12	S455-3019	1855	389	3/3
2	S455-0009	869	460	1/3	13	S455-3020	910	360	2/3
3	S455-0014	433	460	1/3	14	S455-3021	911	367	2/3
4	S455-0015	433	460	1/3	15	S455-9004	905	469	1/3
5	S455-0016	923	215	1/3	16	S455-9005	905	469	1/3
6	S455-1007	957	412	1/3	17	S455-9008	871	355	2/3
7	S455-1008	957	412	1/3	18	S455-9306	905	925	1/3
8	S455-1018	875	368	2/3	19	ZK3-5047	861	127	2/3
9	S455-1019	875	368	2/3	20	ZK4-513	350	140	2/3
10	S455-2009	1939	423	3/3	21	ZK4-514	350	140	2/3
11	S455-3007	456	360	2/3					



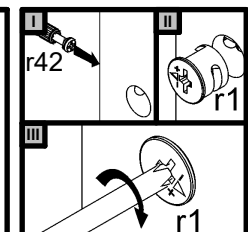
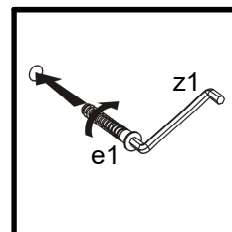
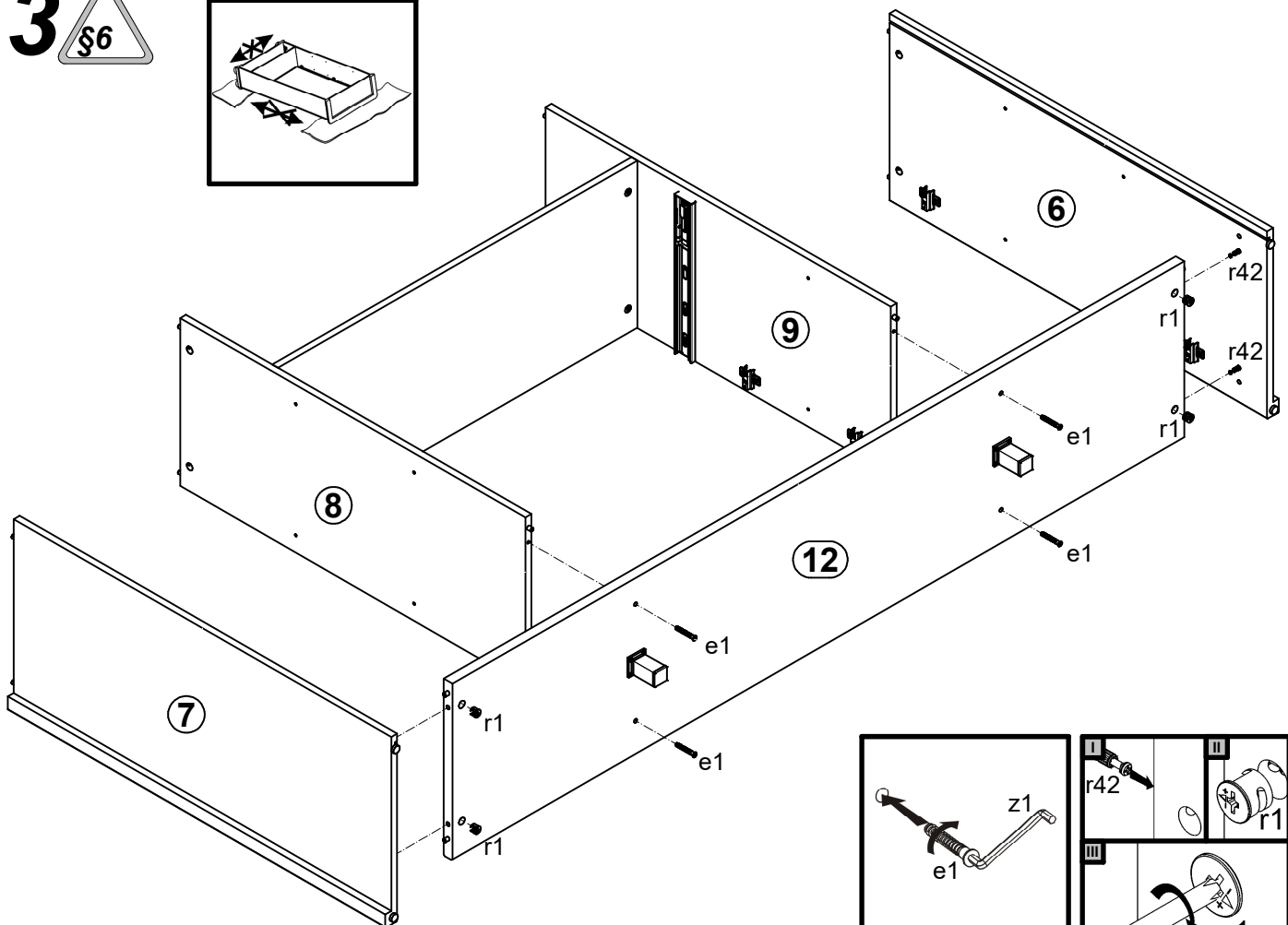
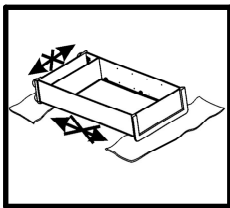
4x a133	4x a159	4x a160	4x b43	4x b78	5x c526	20x d1	2x d5	4x e1
18x e2	20x f1	2x f9	4x f25	4x k1	2x k38/3	2x k38/8	30x l1	8x l2
8x n108	10x p9	1x p25	1x p35	14x p38	16x p51	8x p55	12x p140	16x r1
4x r15	20x r42	1x t35	2x w210/1	2x w210/2	8x s2	1x z1	1x n26	1x p38



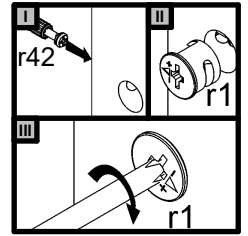
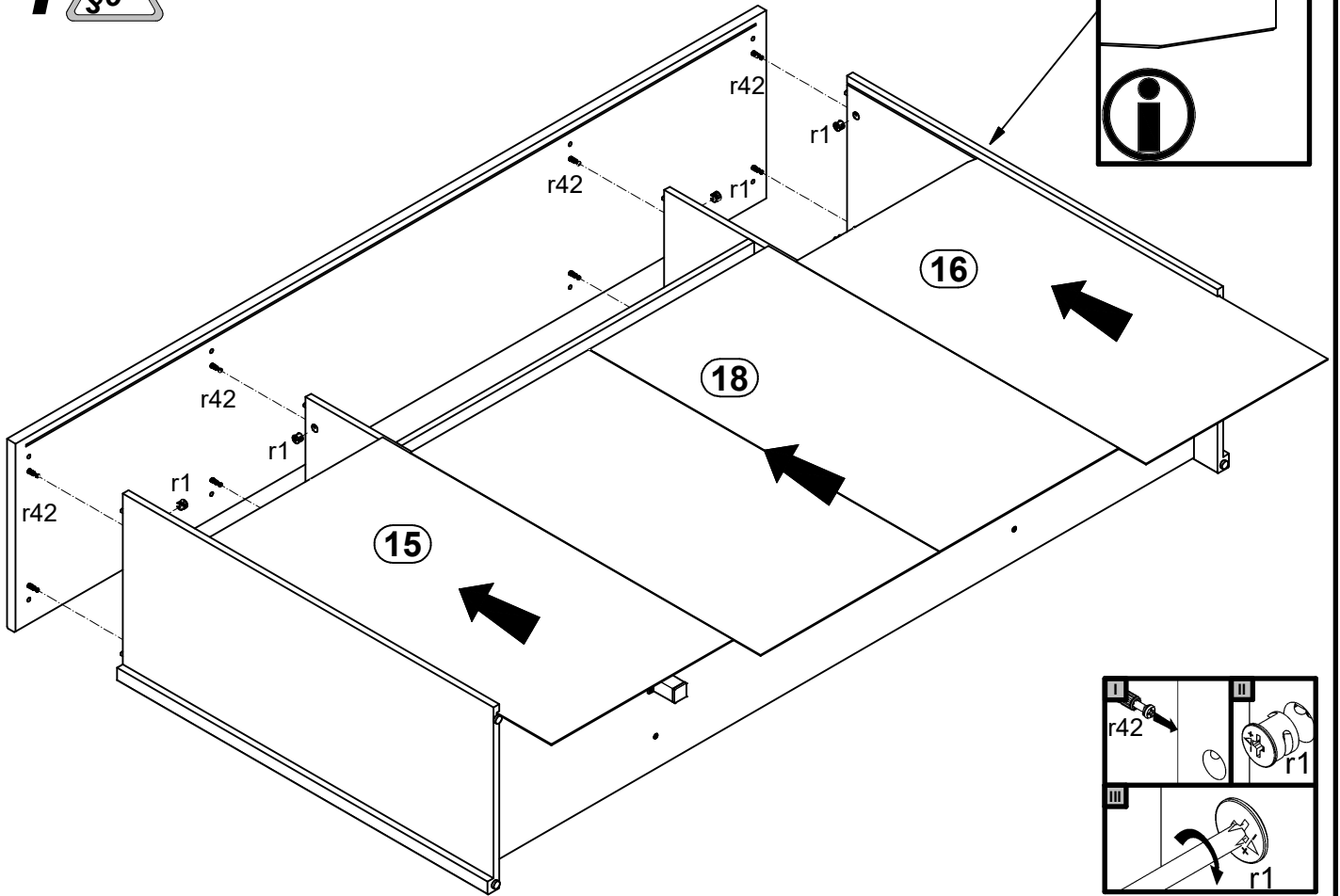
2 



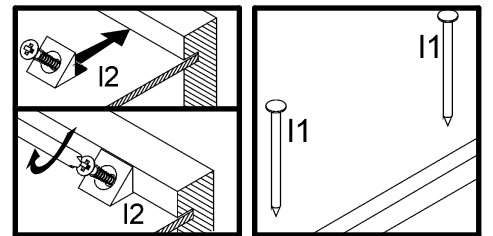
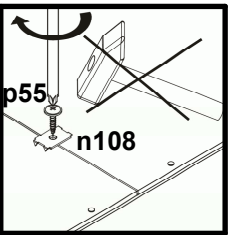
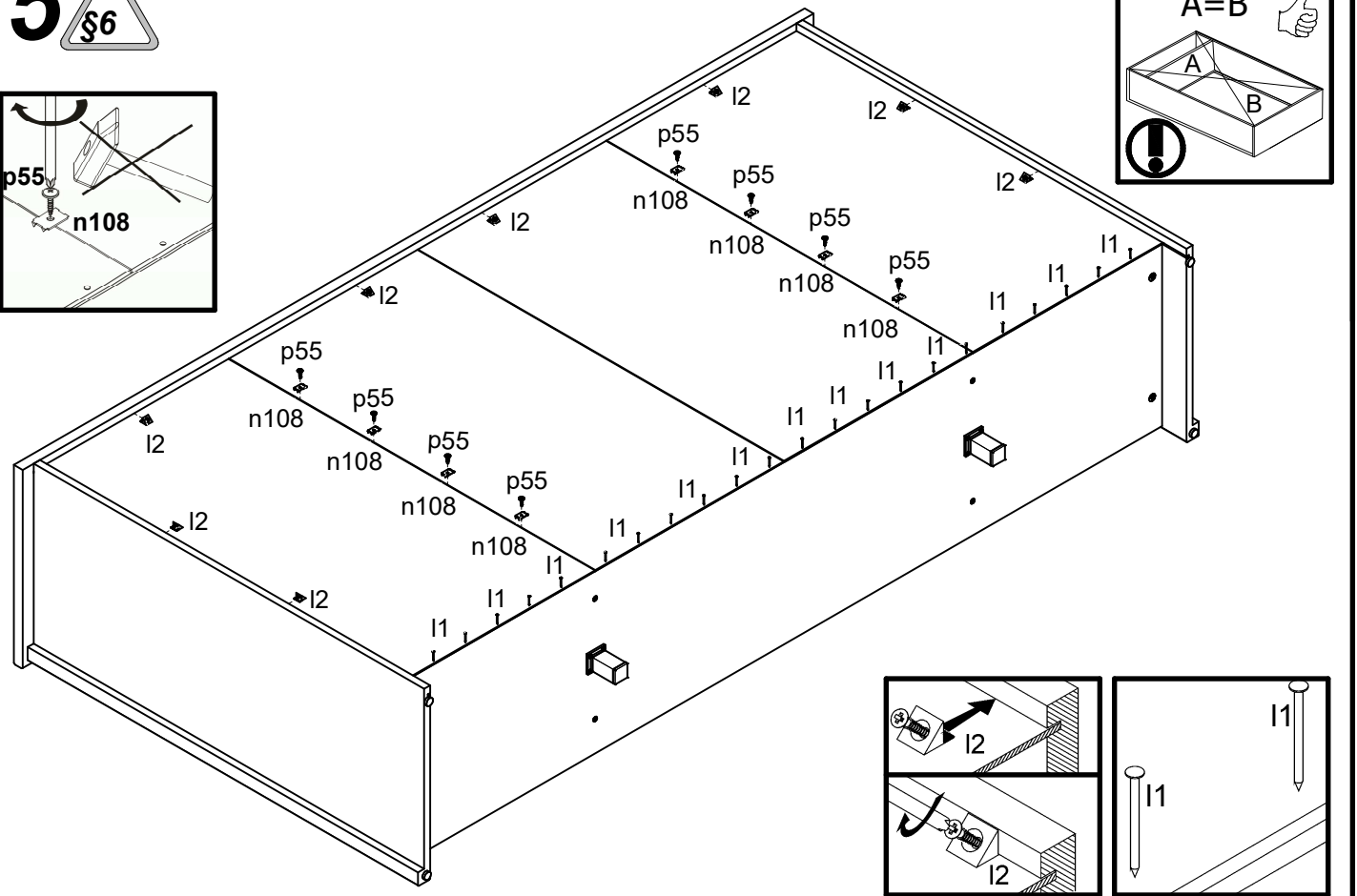
3 



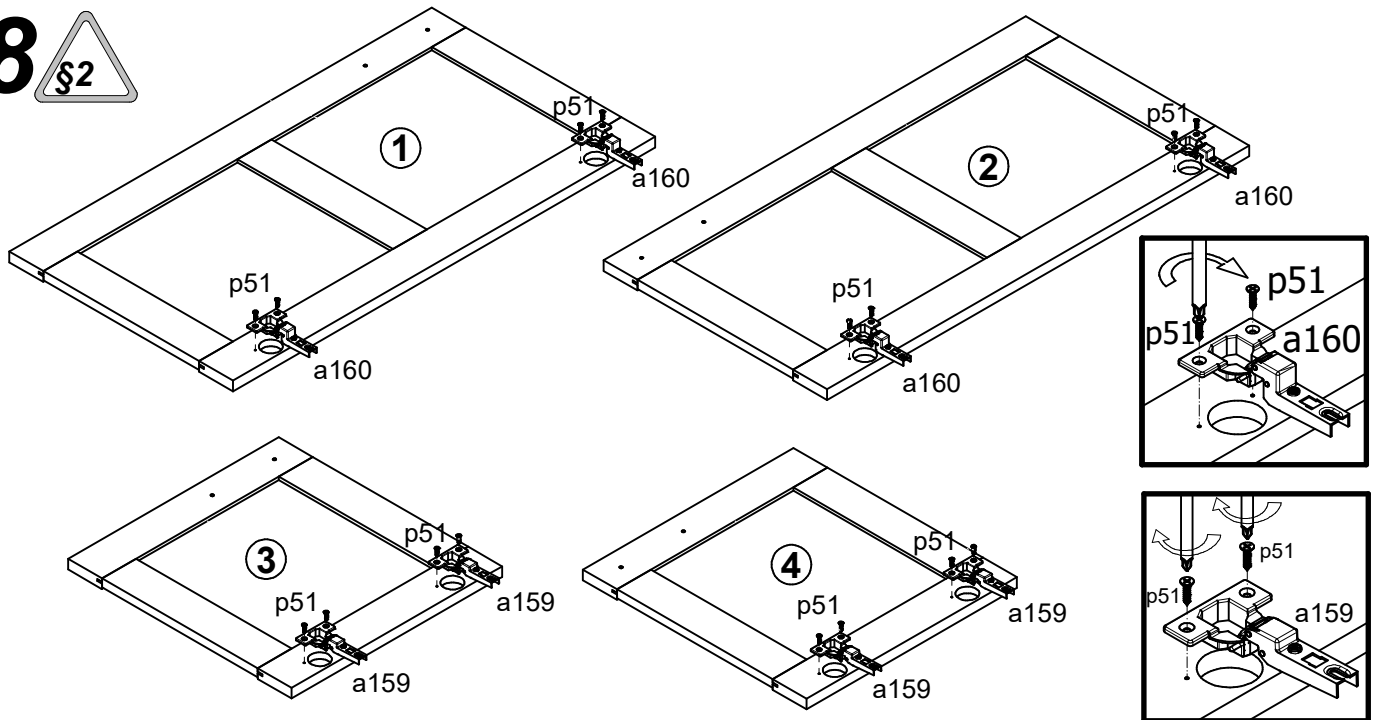
4 §6



5 §6



8 §2



9 §6

