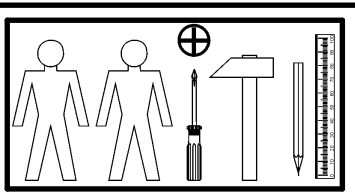
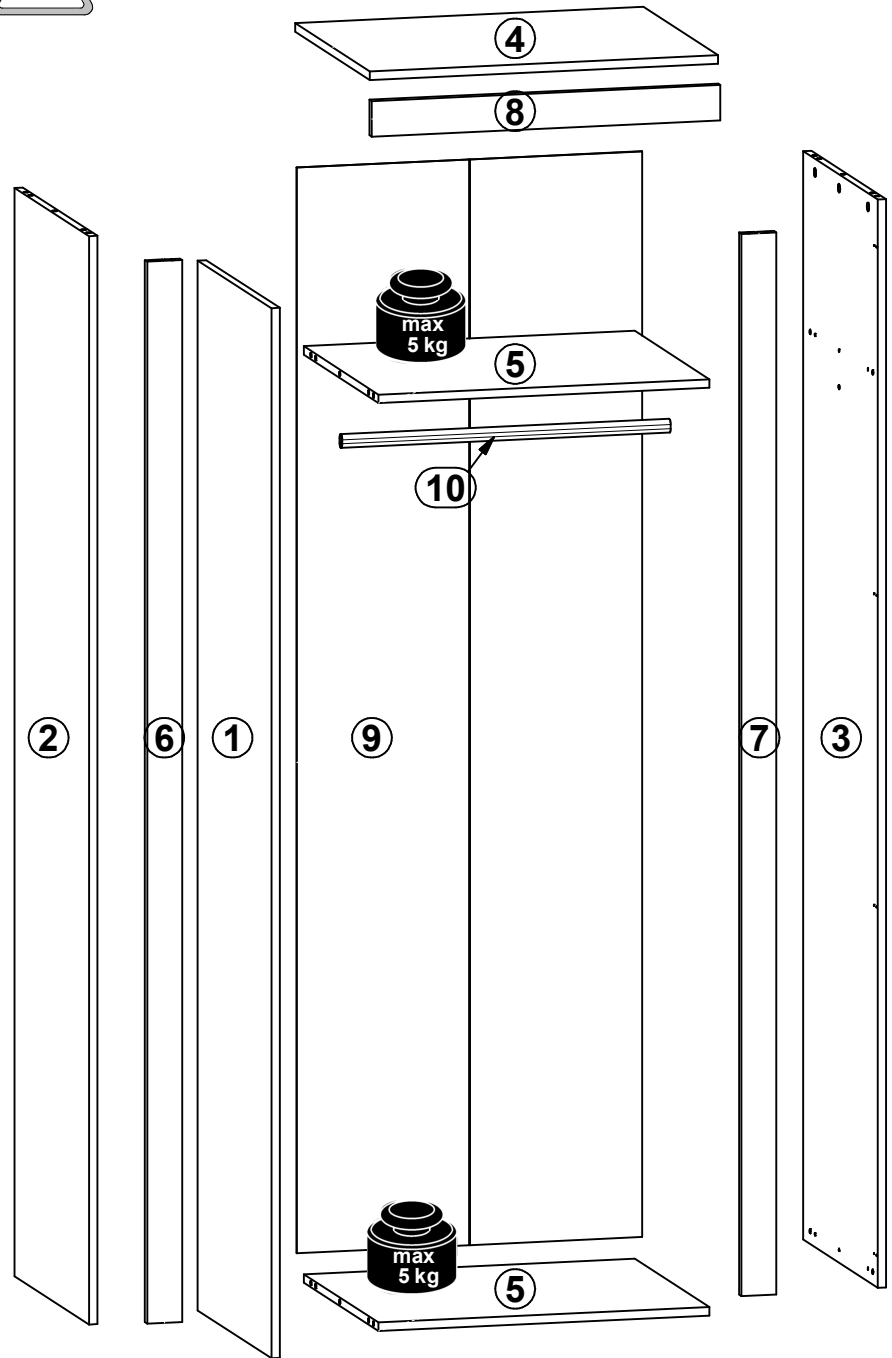
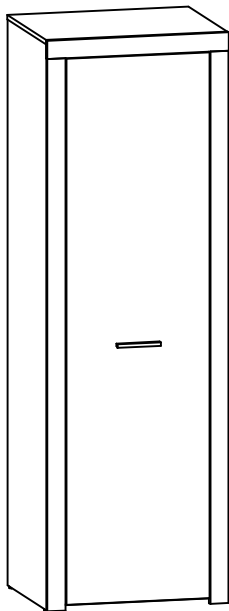
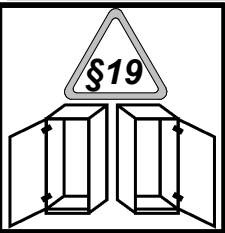
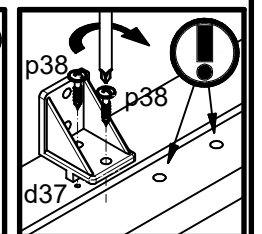
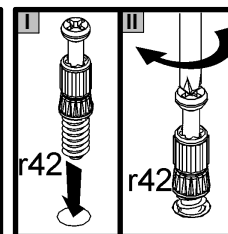
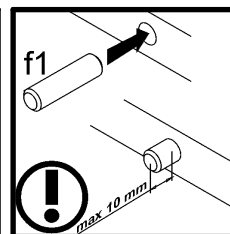
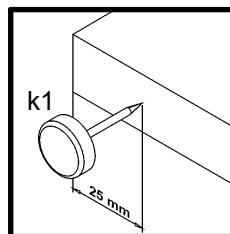
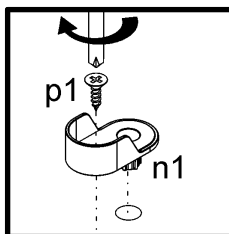
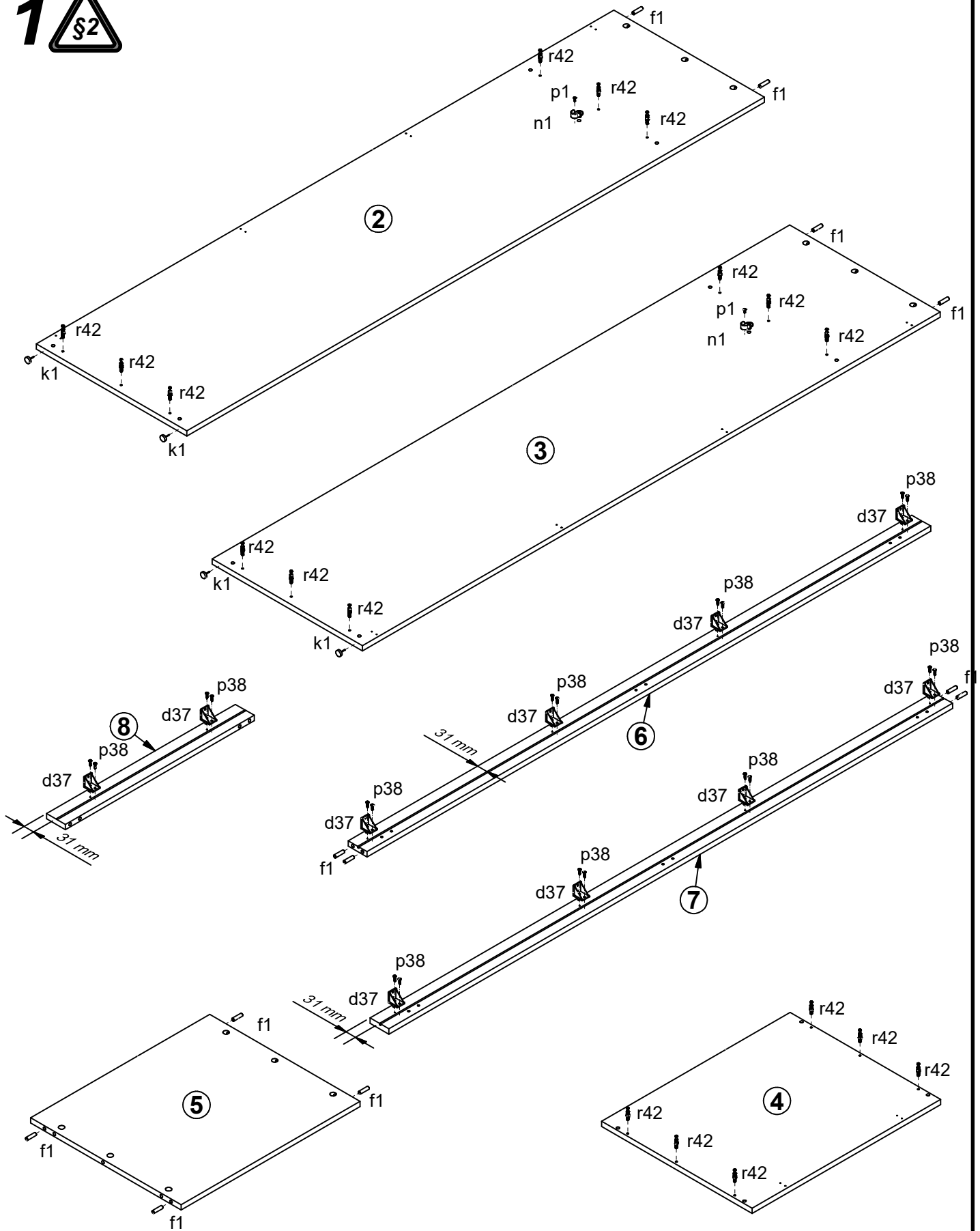


A	B	C	D
1	S382-0018	1833	490 3/3
2	S382-1011	1900	495 1/3
3	S382-1012	1900	495 1/3
4	S382-2009	620	495 1/3
5	S382-3019	589	495 1/3
6	S382-5011	1854	62 2/3
7	S382-5012	1854	62 2/3
8	S382-5015	621	62 2/3
9	S382-9303	1895	615 1/3
10	dr-585	585	22 2/3

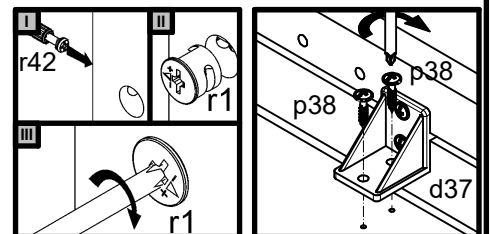
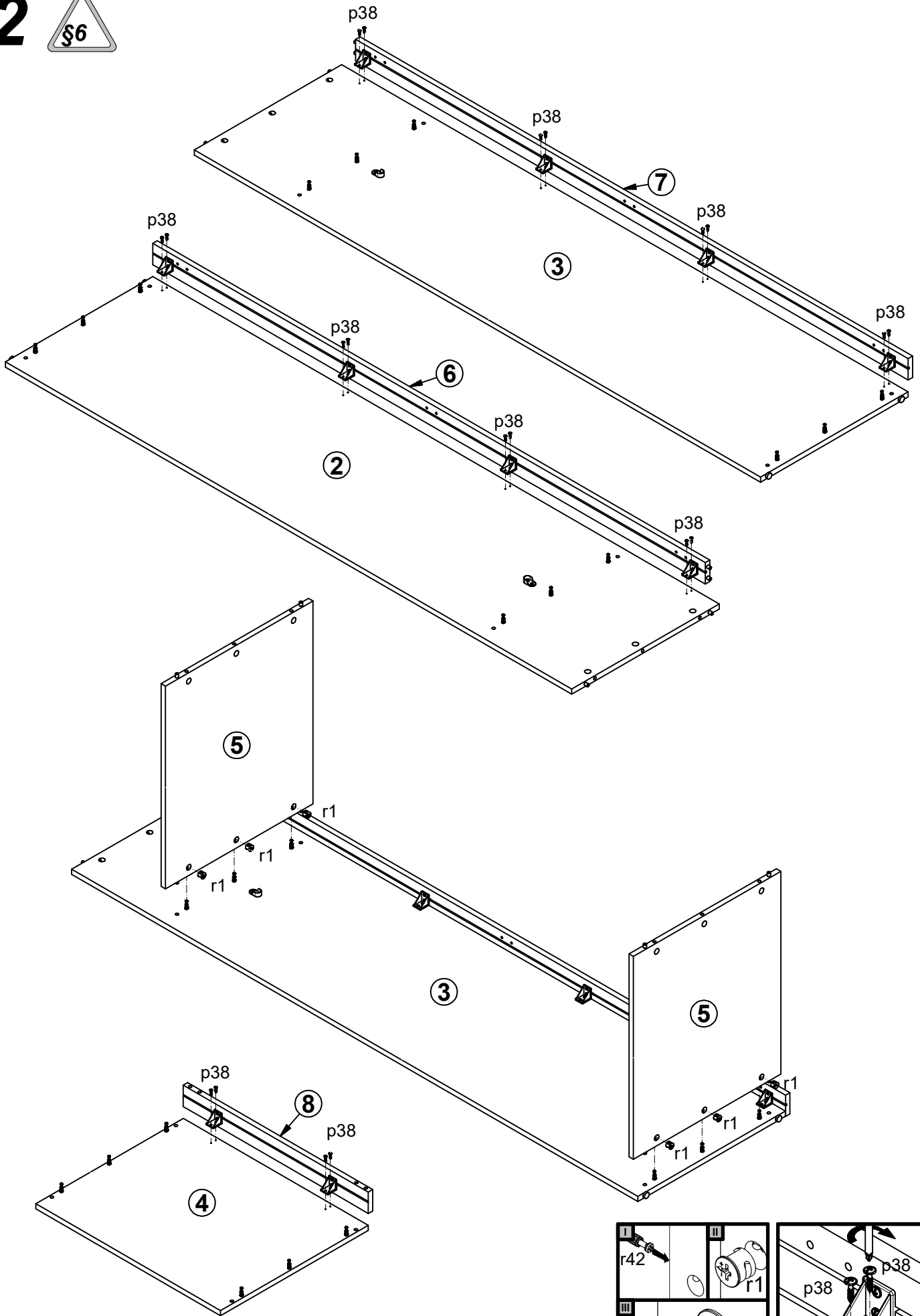


3x a132	3x b43	1x c328 128 mm	10x d37	6x e2 Ø6,3x13 mm	16x f1 Ø8x30 mm	4x k1	65x l1 1.4x20 mm	2x n1 h=22mm
2x p1 Ø3,5x13 mm	40x p38 Ø3,5x16 mm	6x p51 Ø3,5x15 mm	2x p60 Ø4x22 mm	18x r1 Ø15x12 mm #16	18x r42 20/11	12x s2 Ø16		
							1x n26/1	1x p38 Ø3,5x16 mm

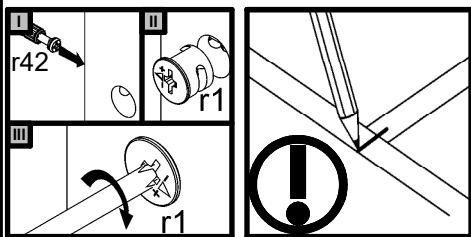
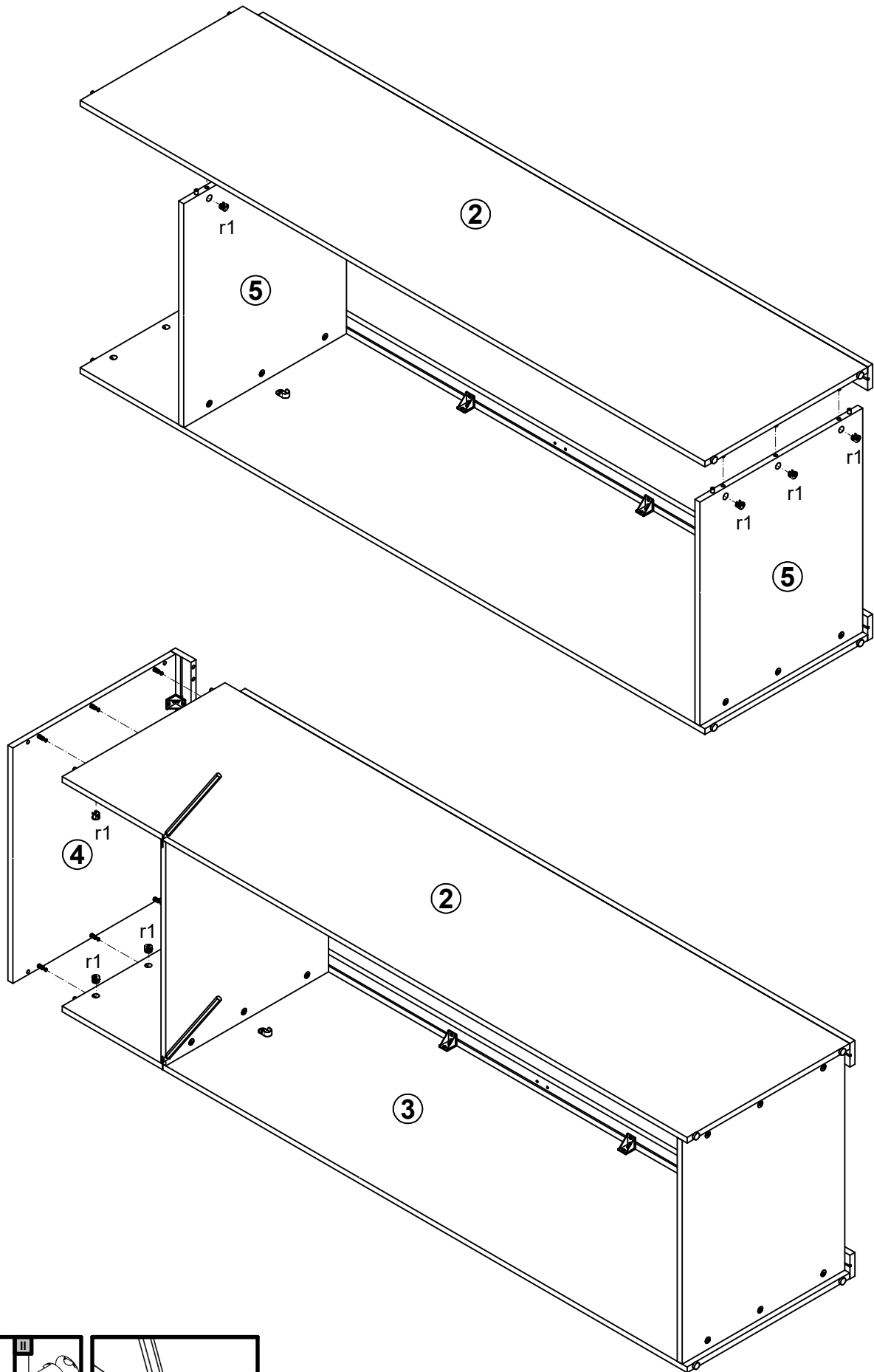
1 



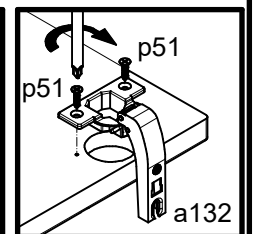
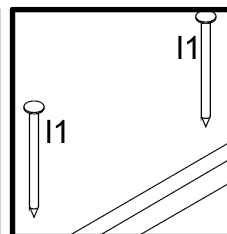
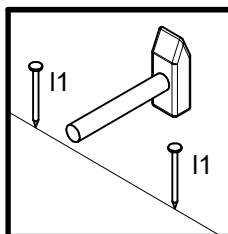
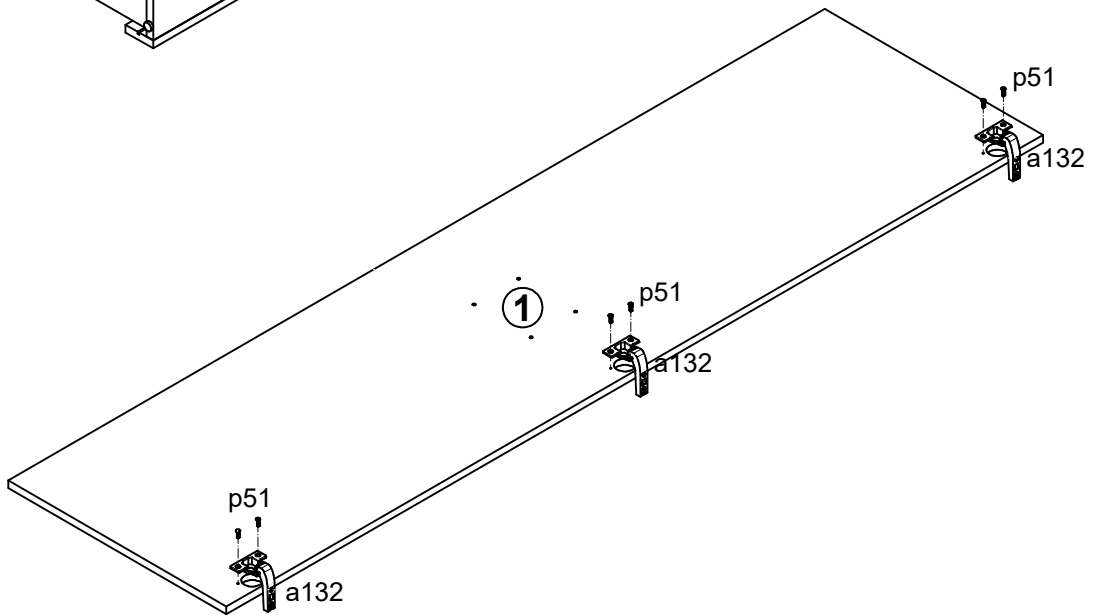
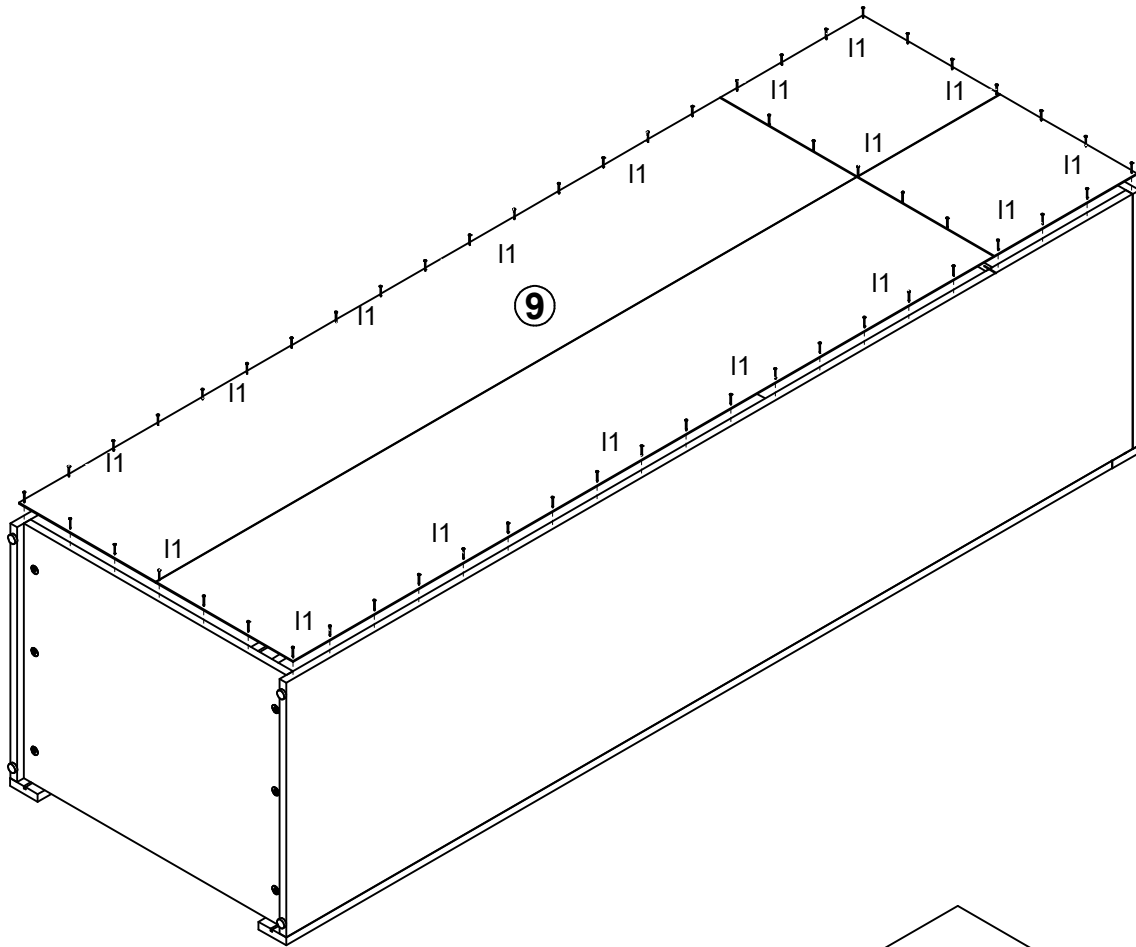
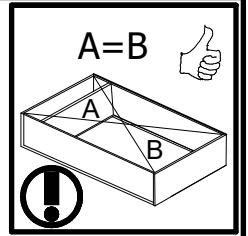
2



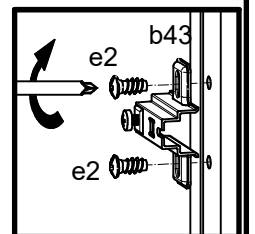
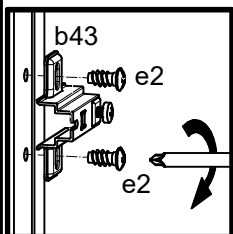
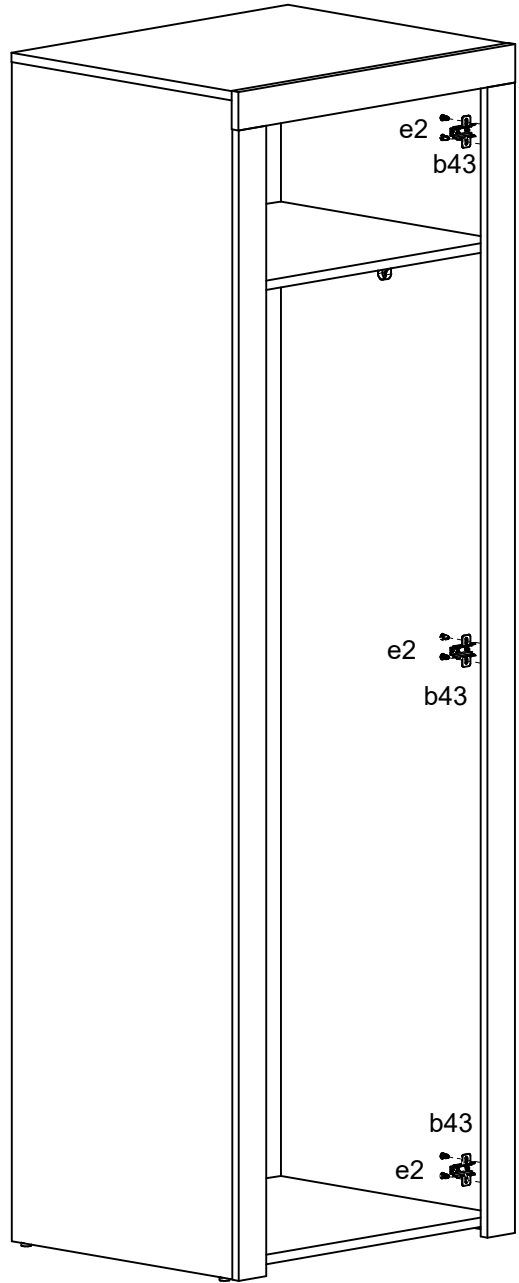
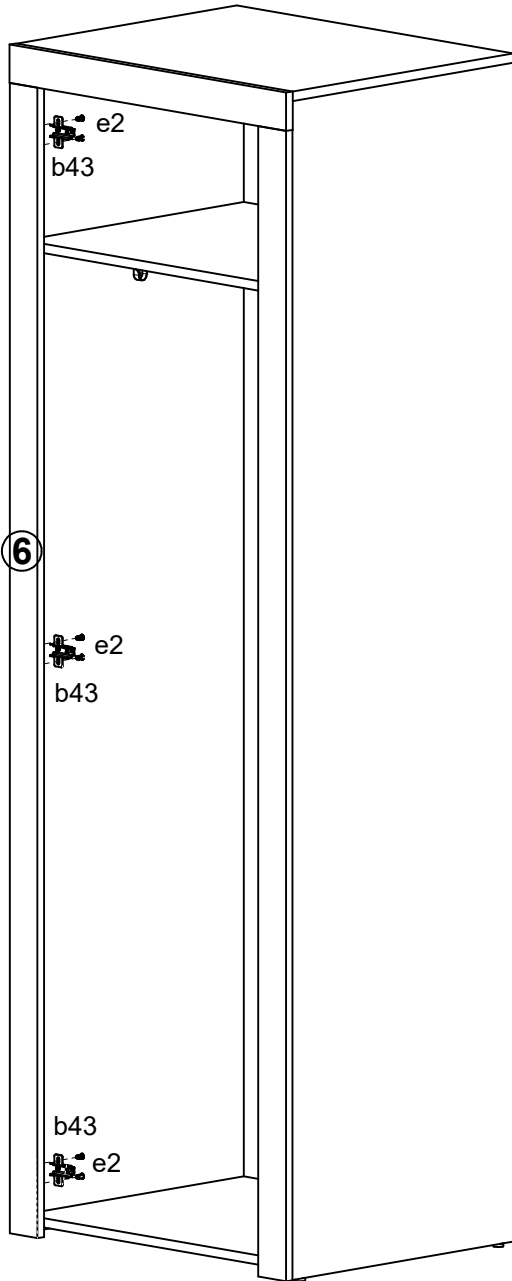
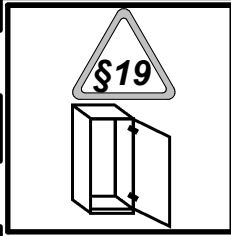
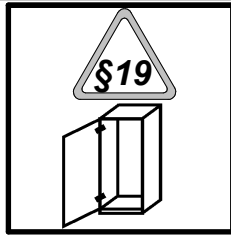
3



4



5



6

