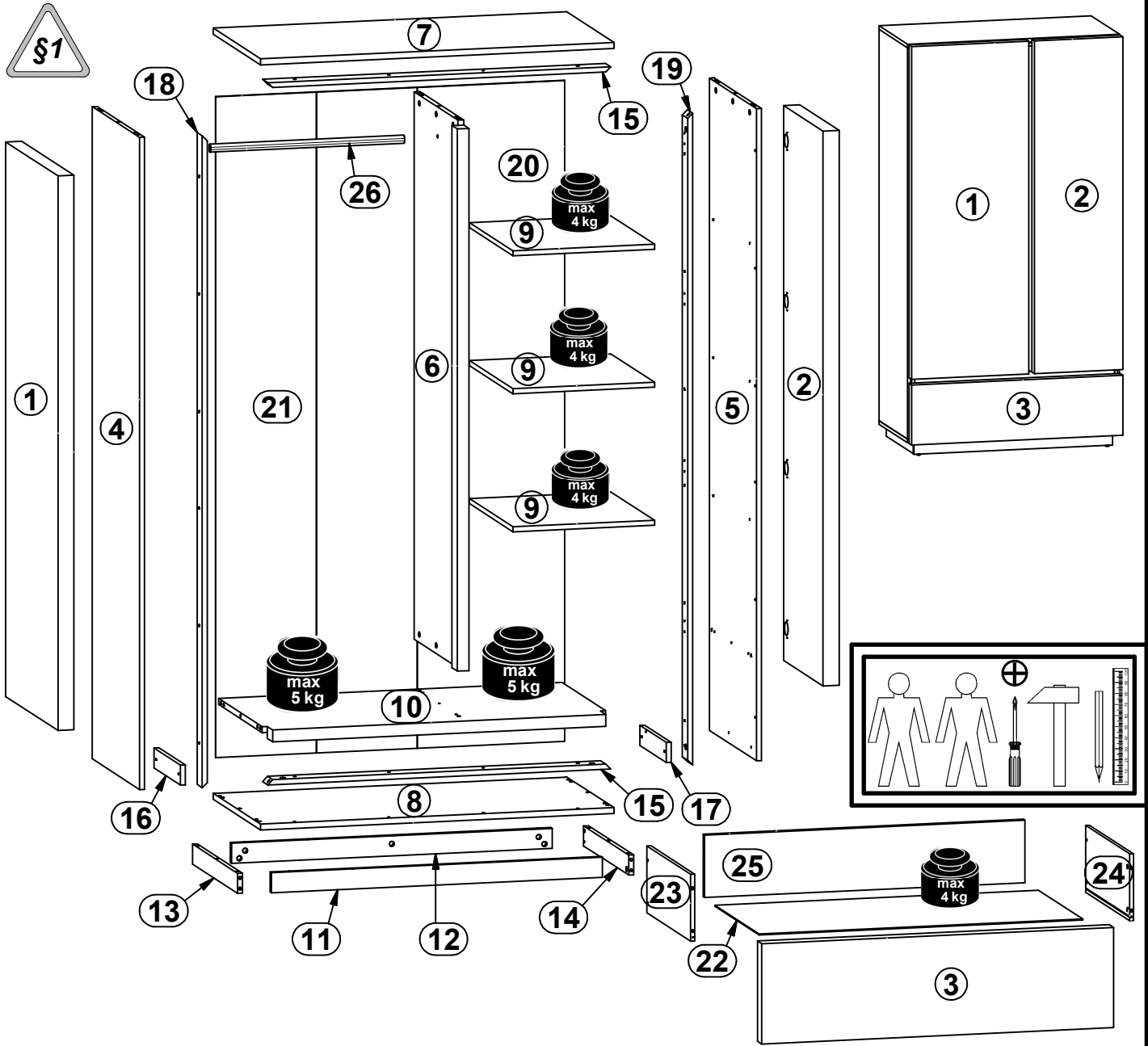
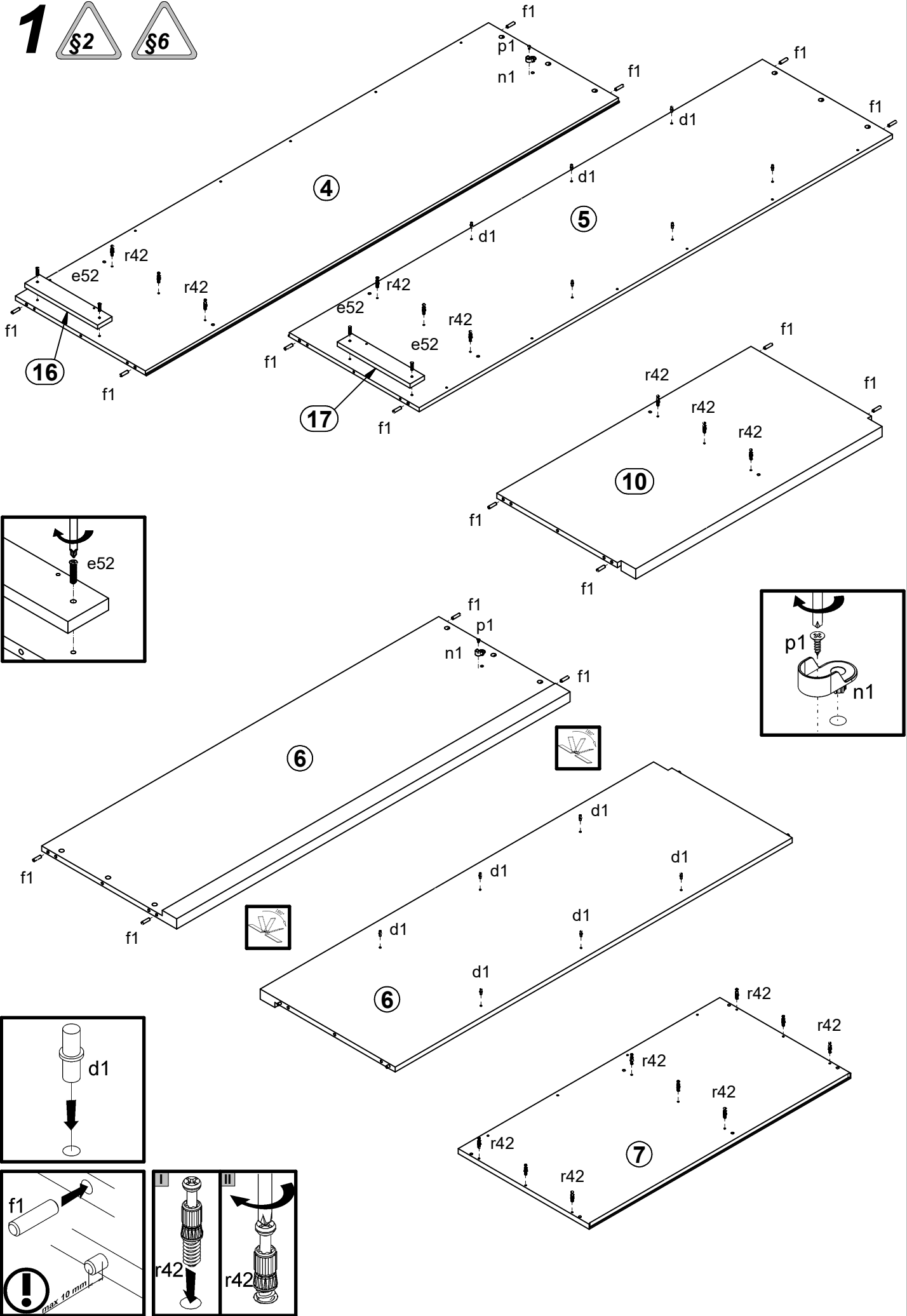


A	B	C	D	A	B	C	D	A	B	C	D	A	B	C	D
1	S317-005	1660	596	5/6	10	S317-308	1048	557	3/6	19	S317-428	1951	60	4/6	
2	S317-006	1660	450	5/6	11	S317-419	1010	60	3/6	20	S317-906	1978	450	1/6	
3	S317-007	1074	300	6/6	12	S317-420	979	60	2/6	21	S317-907	1978	615	1/6	
4	S317-108	1952	540	1/6	13	S317-421	513	60	3/6	22	S317-908	988	505	3/6	
5	S317-109	1952	540	1/6	14	S317-422	513	60	3/6	23	ZQ2-515	500	200	3/6	
6	S317-110	1638	557	2/6	15	S317-423	1047	60	4/6	24	ZQ2-516	500	200	3/6	
7	S317-207	1079	540	3/6	16	S317-425	300	60	2/6	25	ZQ2-517	978	187	3/6	
8	S317-208	1079	540	3/6	17	S317-426	300	60	2/6	26	dr-592	592	22	2/6	
9	S317-307	432	496	2/6	18	S317-427	1951	60	4/6						

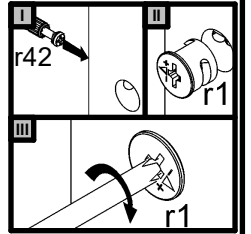
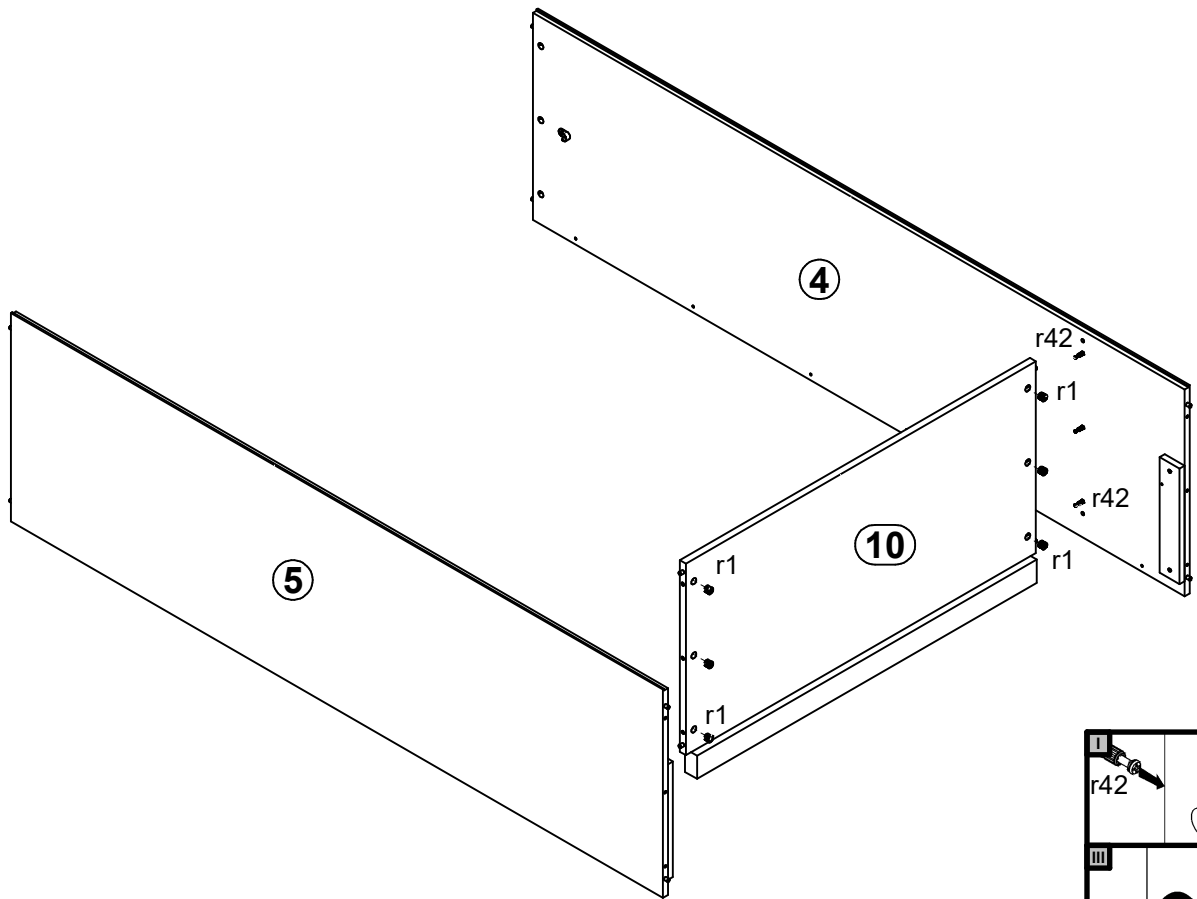


4x KD 240 a128	4x 440 a129	8x H-G b75	12x d1 Ø5x17 mm	6x e1 Ø7x50 mm	4x e3 Ø6x13 mm	24x e52 Ø6,3x26 mm	30x f1 Ø8x30 mm	4x f25 Ø6,5x40 mm
4x k1	110x l1	2x h=22mm n1	2x p1 Ø3,5x13 mm	1x p25 Ø3,5x16 mm	1x p35 Ø3,5x10 mm	7x p38 Ø3,5x16 mm	16x p51 Ø3,5x15 mm	36x r1 Ø15x12 mm #16
4x r15 Ø12x10,5 mm #12	4x 39/39 r38	32x 20/11 r42	1x 500 mm t34	1x 500 mm w128/L	1x 500 mm w128/P	14x s2 Ø16	1x n26/l1	1x p38 Ø3,5x16 mm
1x z1								

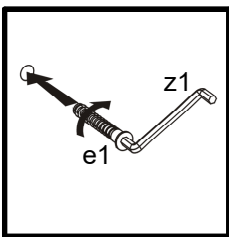
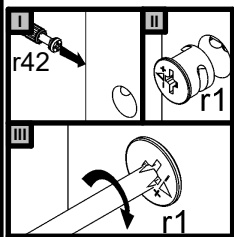
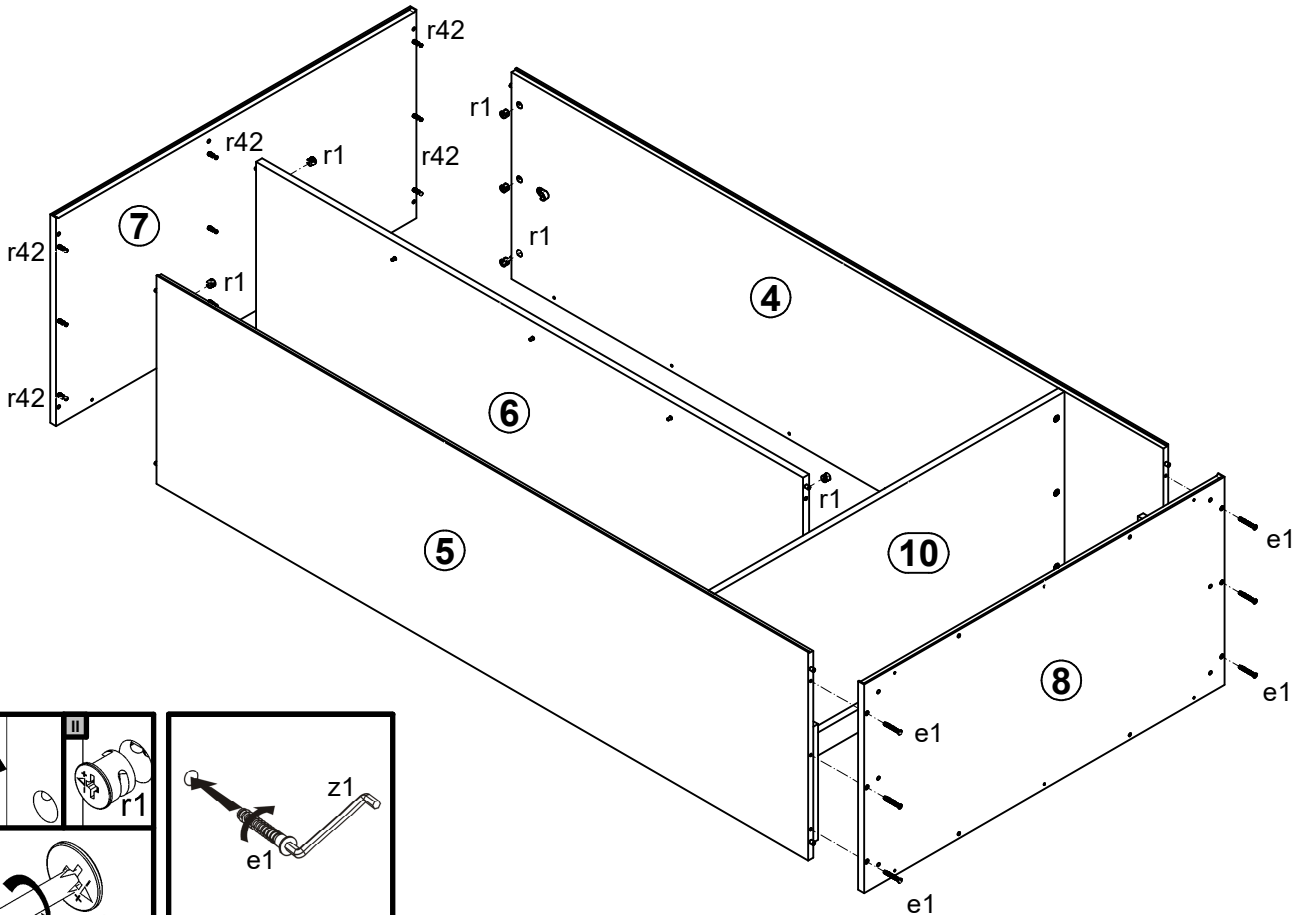
1 §2 §6



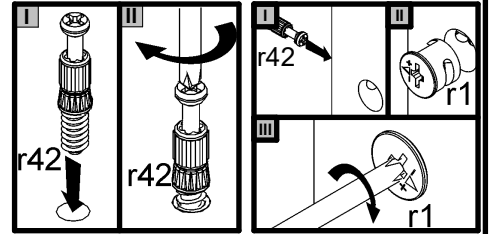
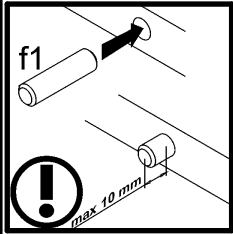
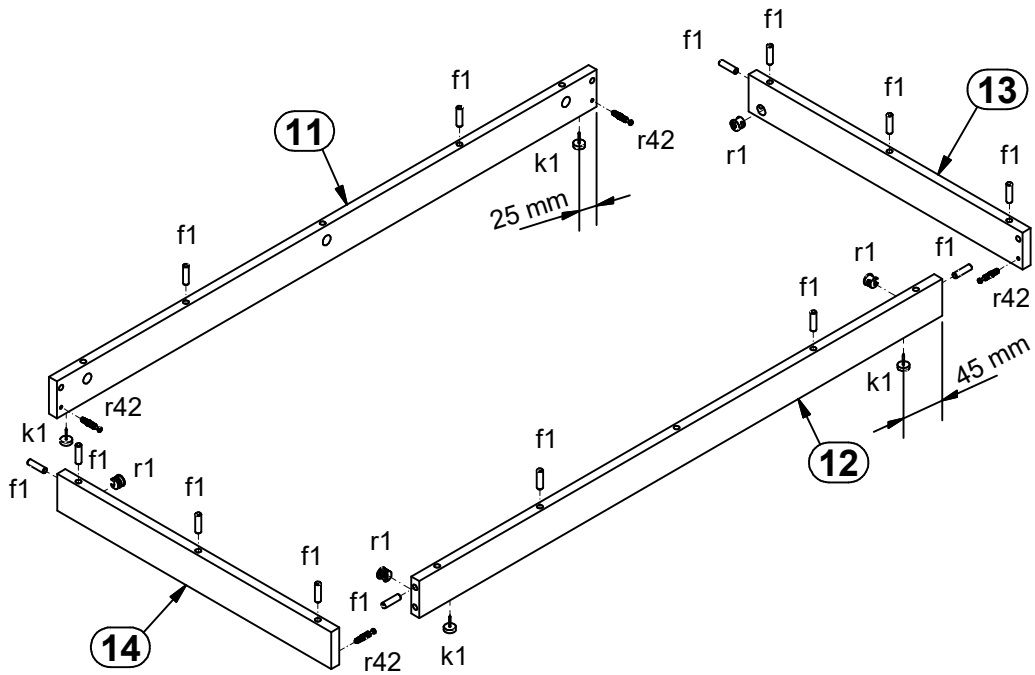
2



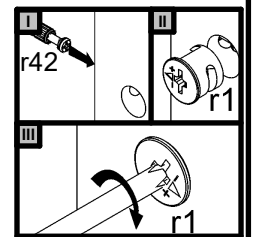
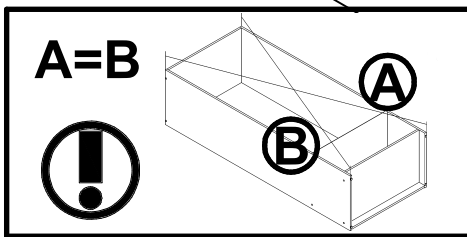
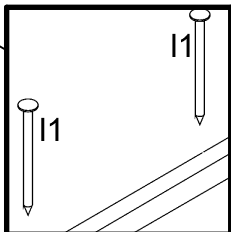
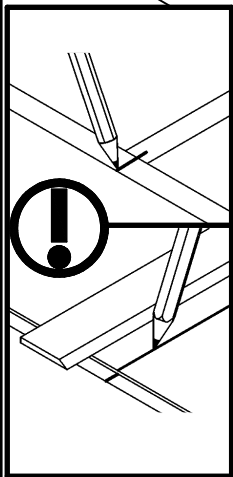
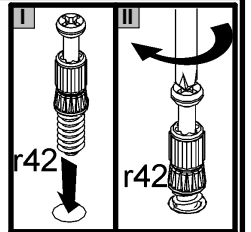
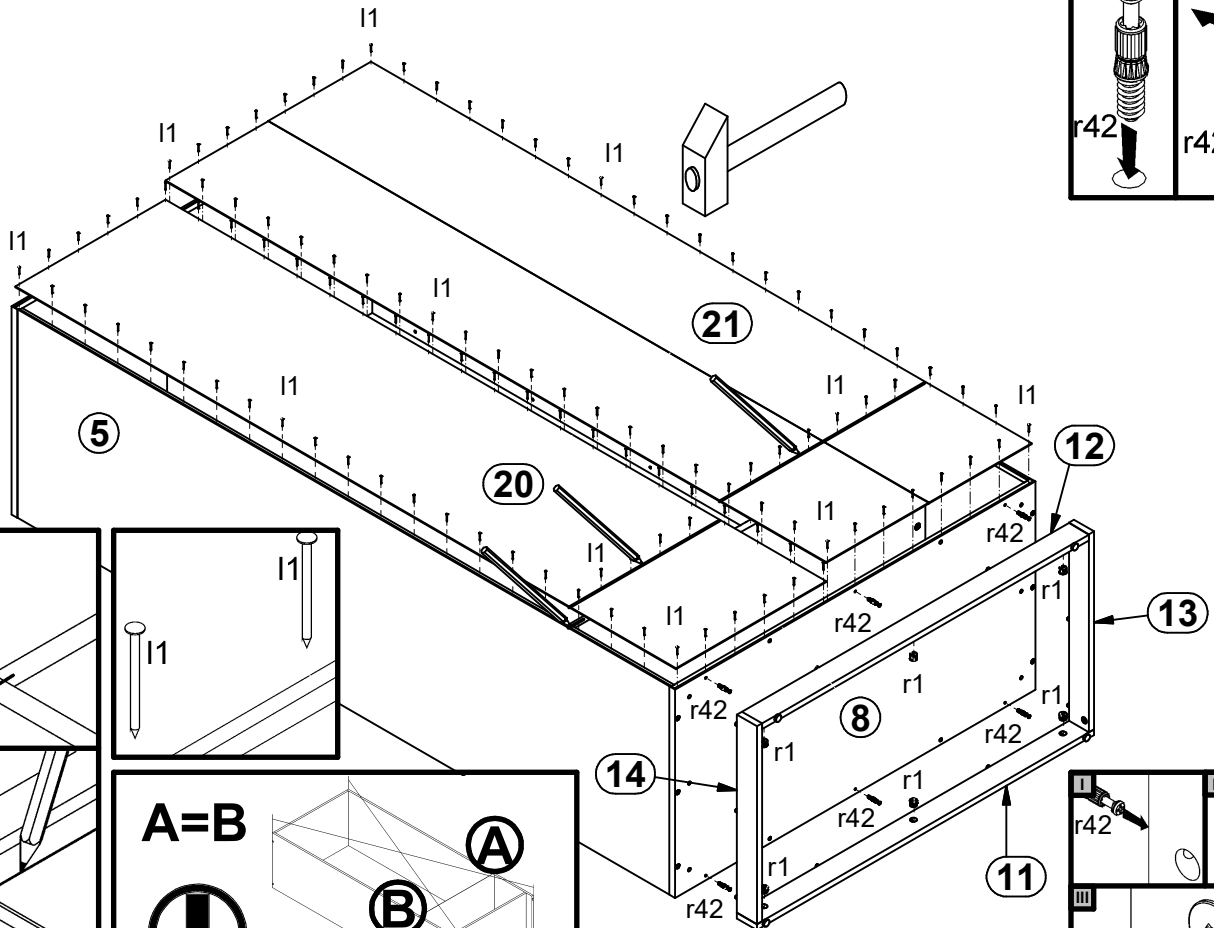
3



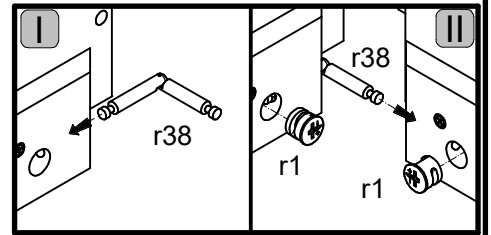
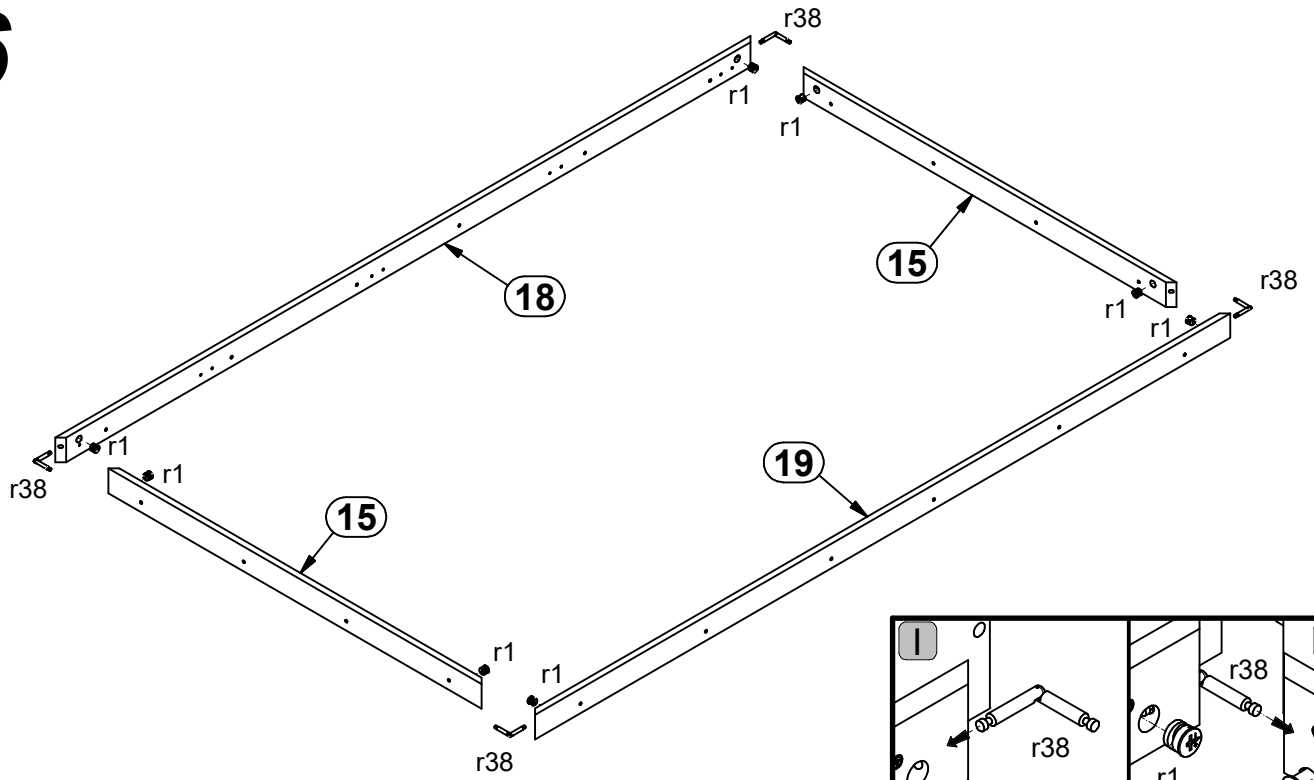
4



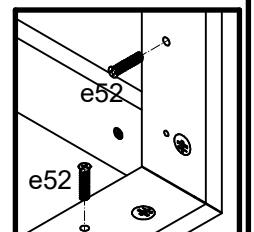
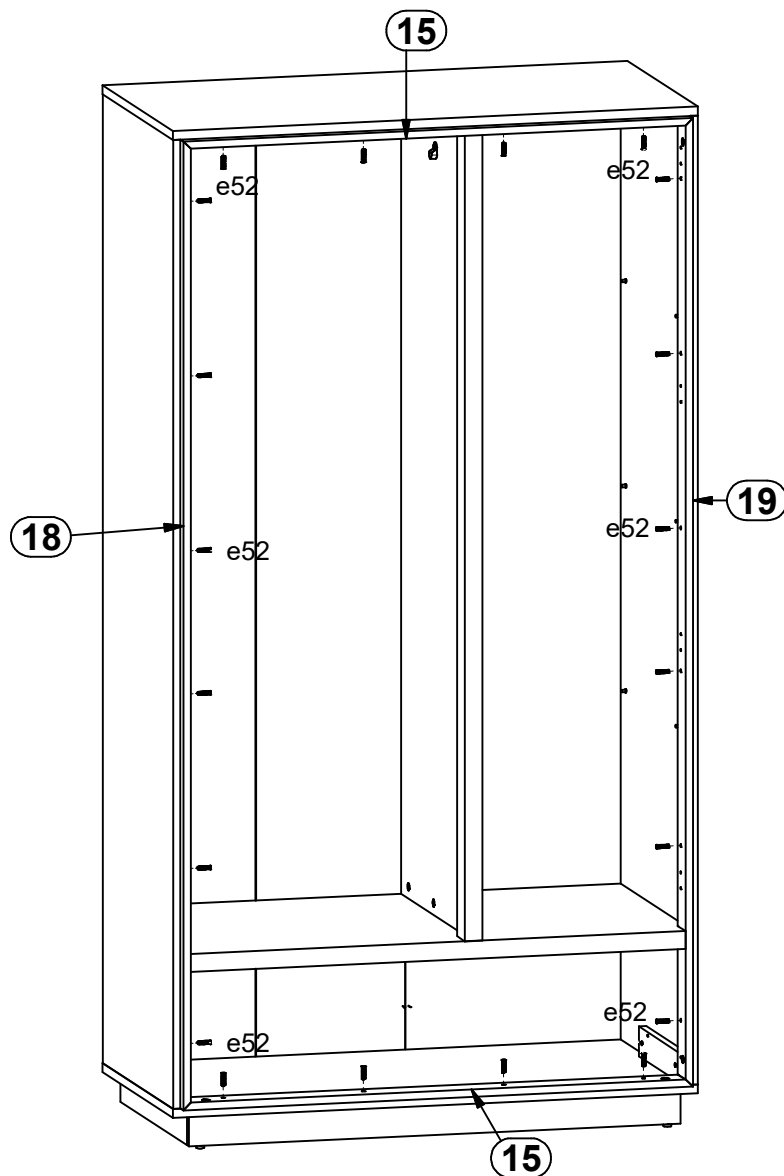
5



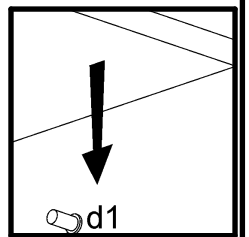
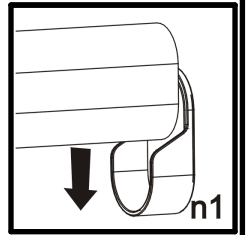
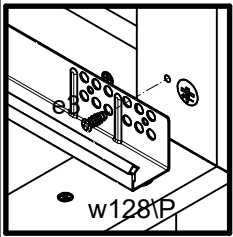
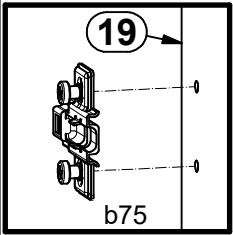
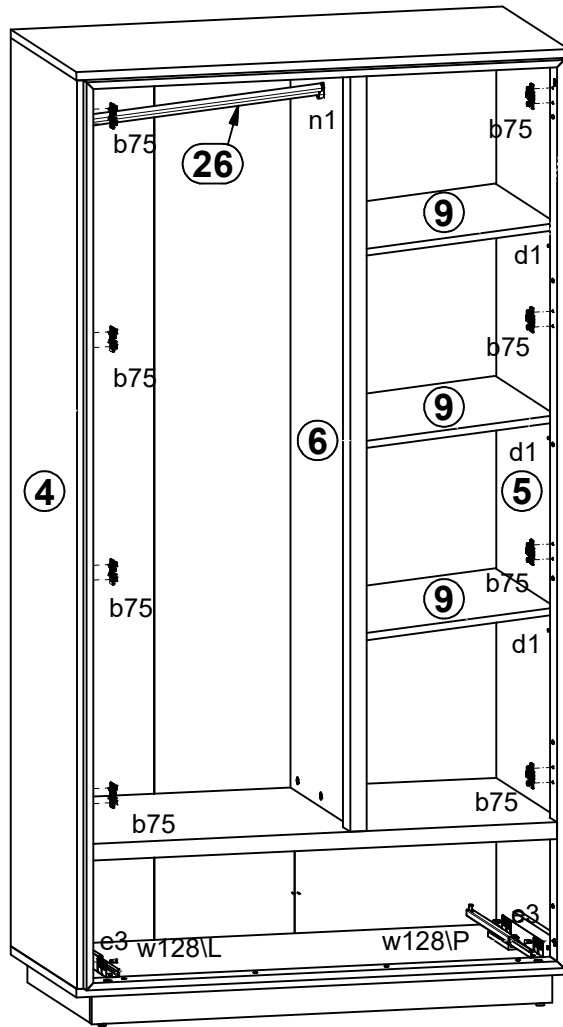
6



7



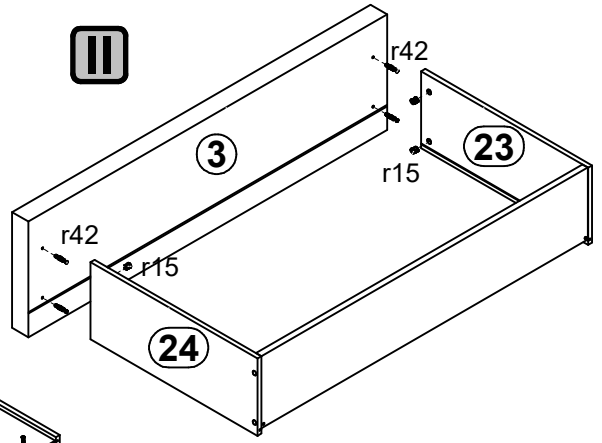
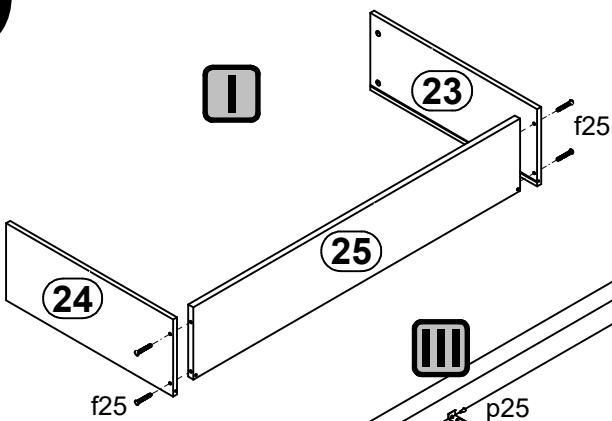
8



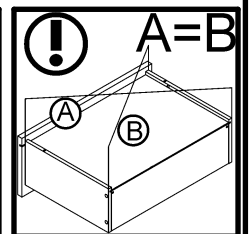
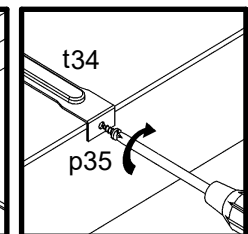
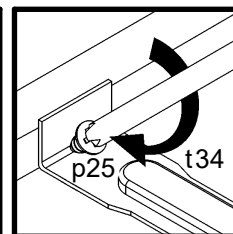
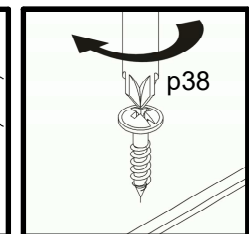
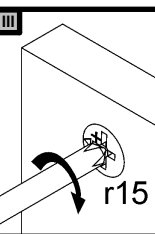
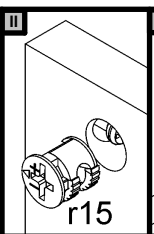
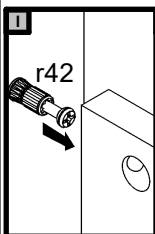
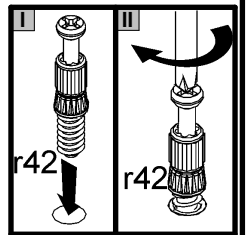
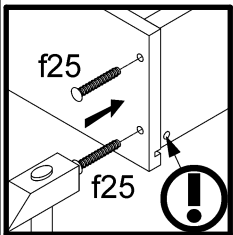
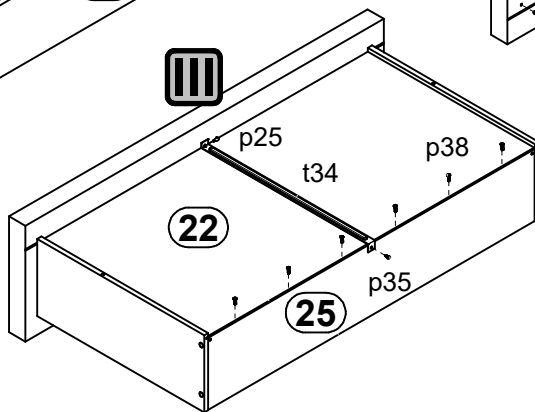
9

I

II



III



10

