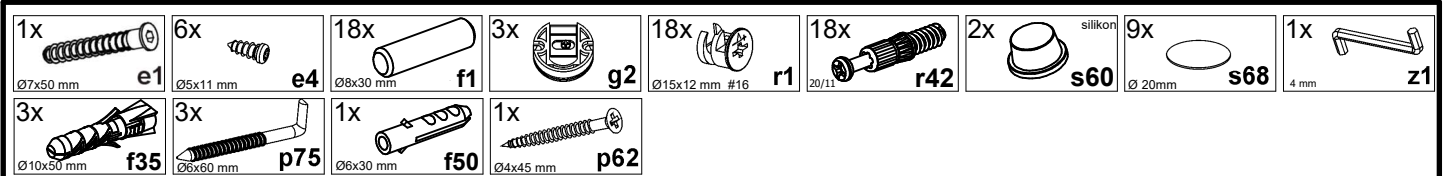
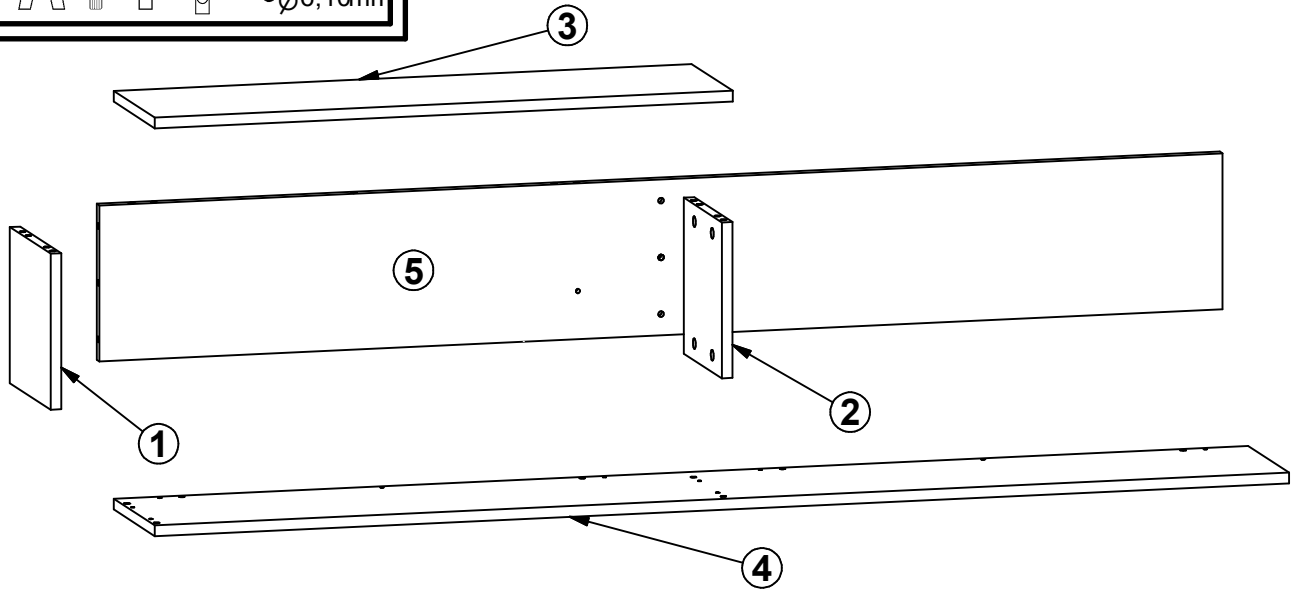
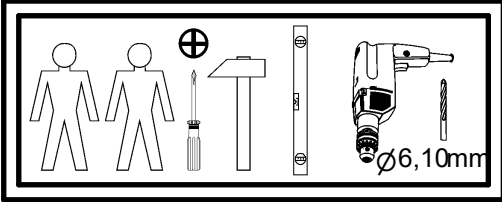
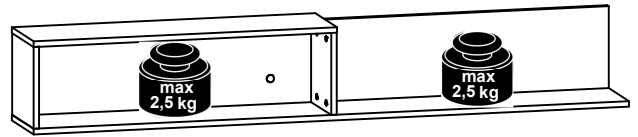
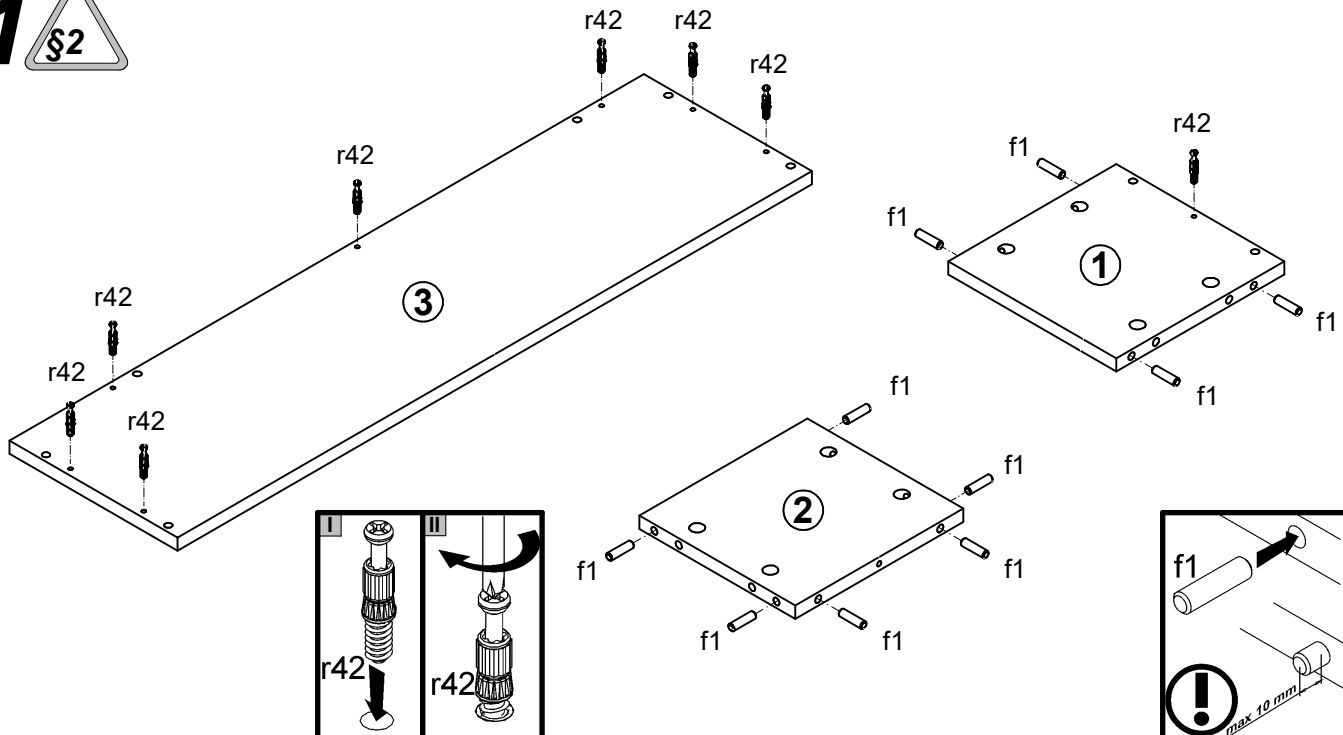
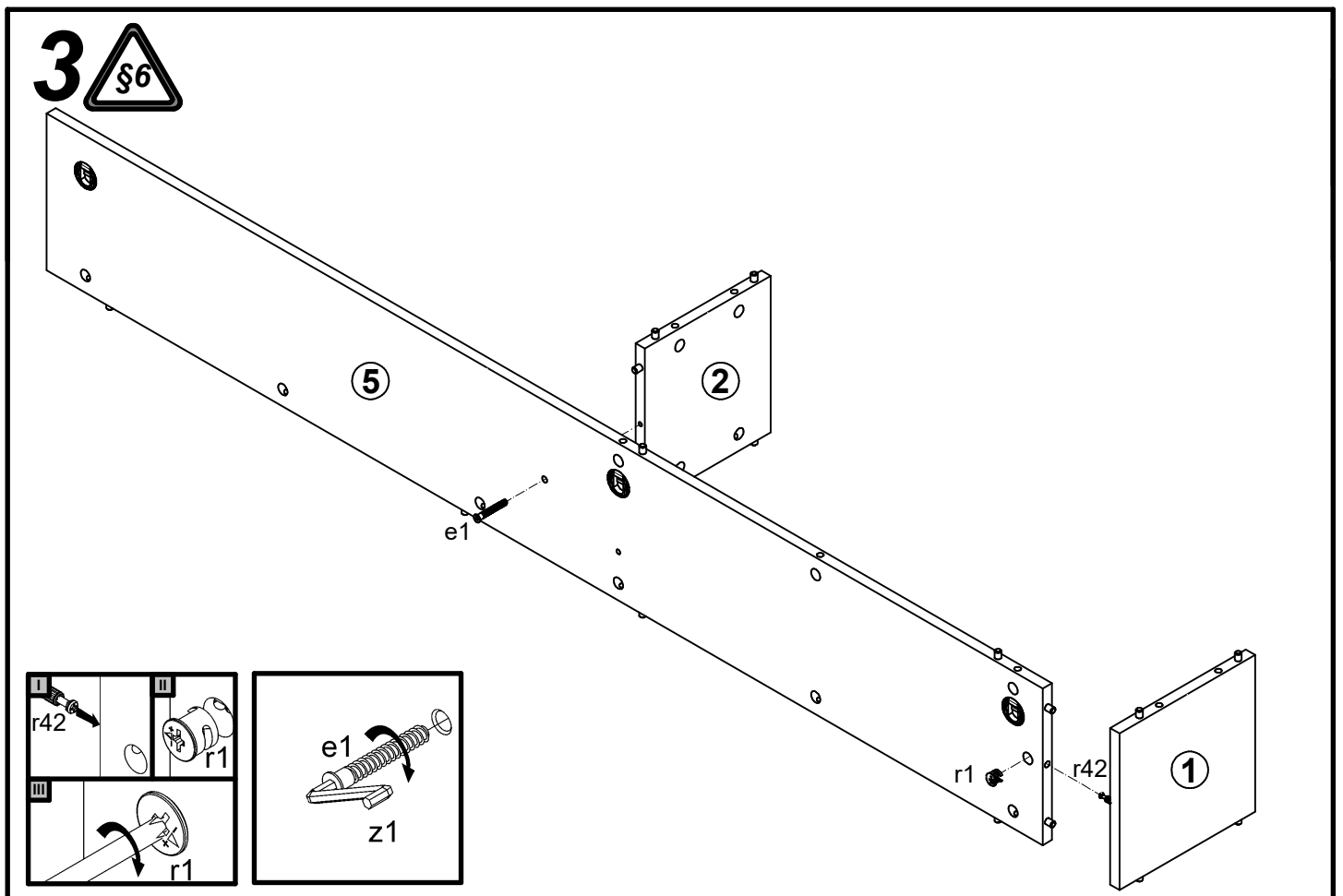
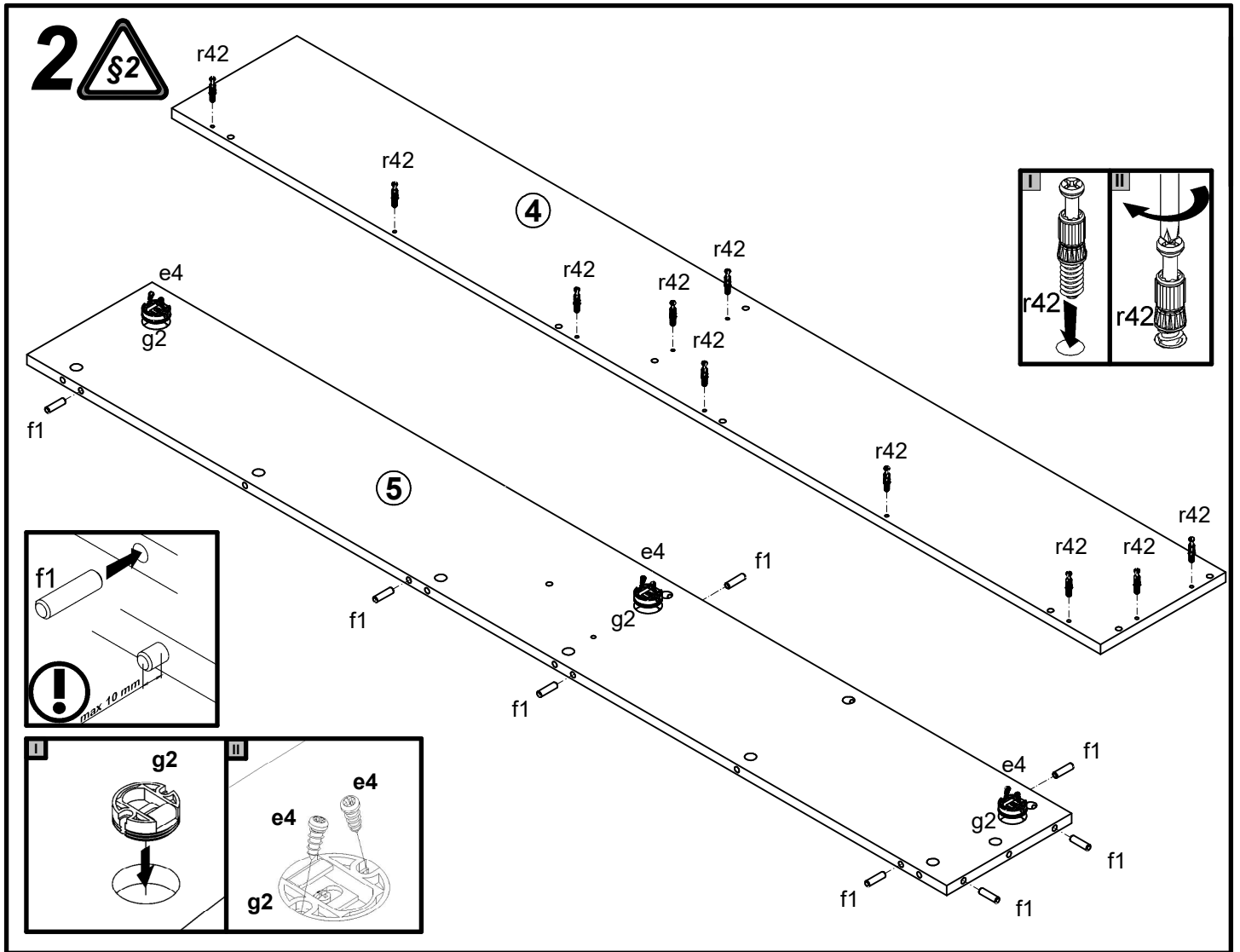


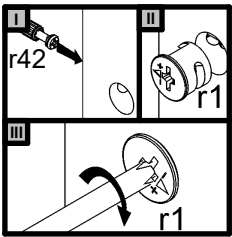
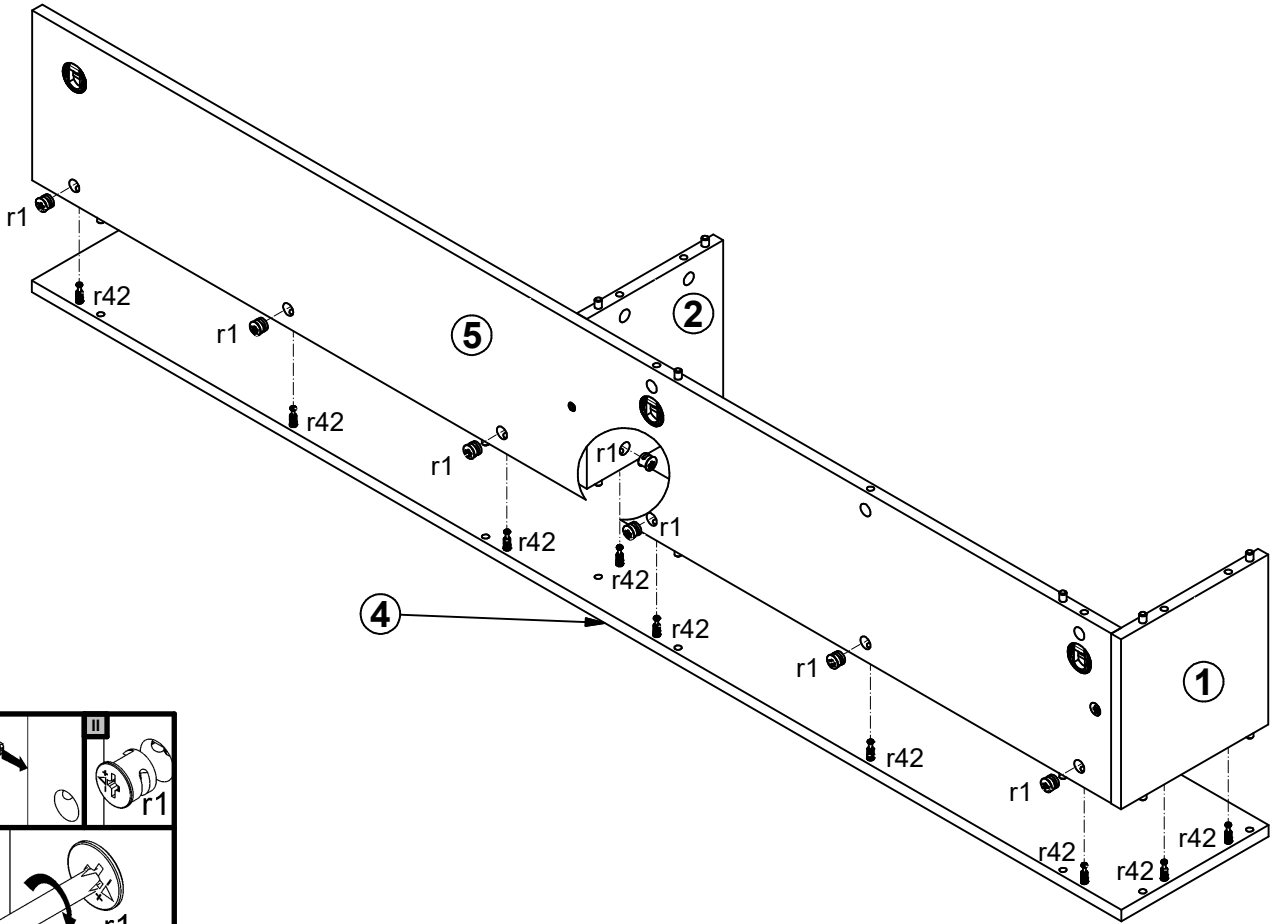
A**FLAMES****S428-POLL/160**

| A | B | C | D |
|---|-----------|------|-----|
| 1 | S428-1018 | 220 | 220 |
| 2 | S428-1019 | 220 | 204 |
| 3 | S428-2013 | 831 | 220 |
| 4 | S428-2014 | 1631 | 220 |
| 5 | S428-4001 | 1615 | 220 |

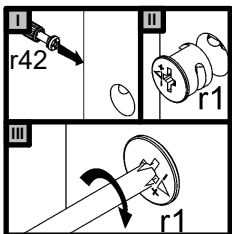
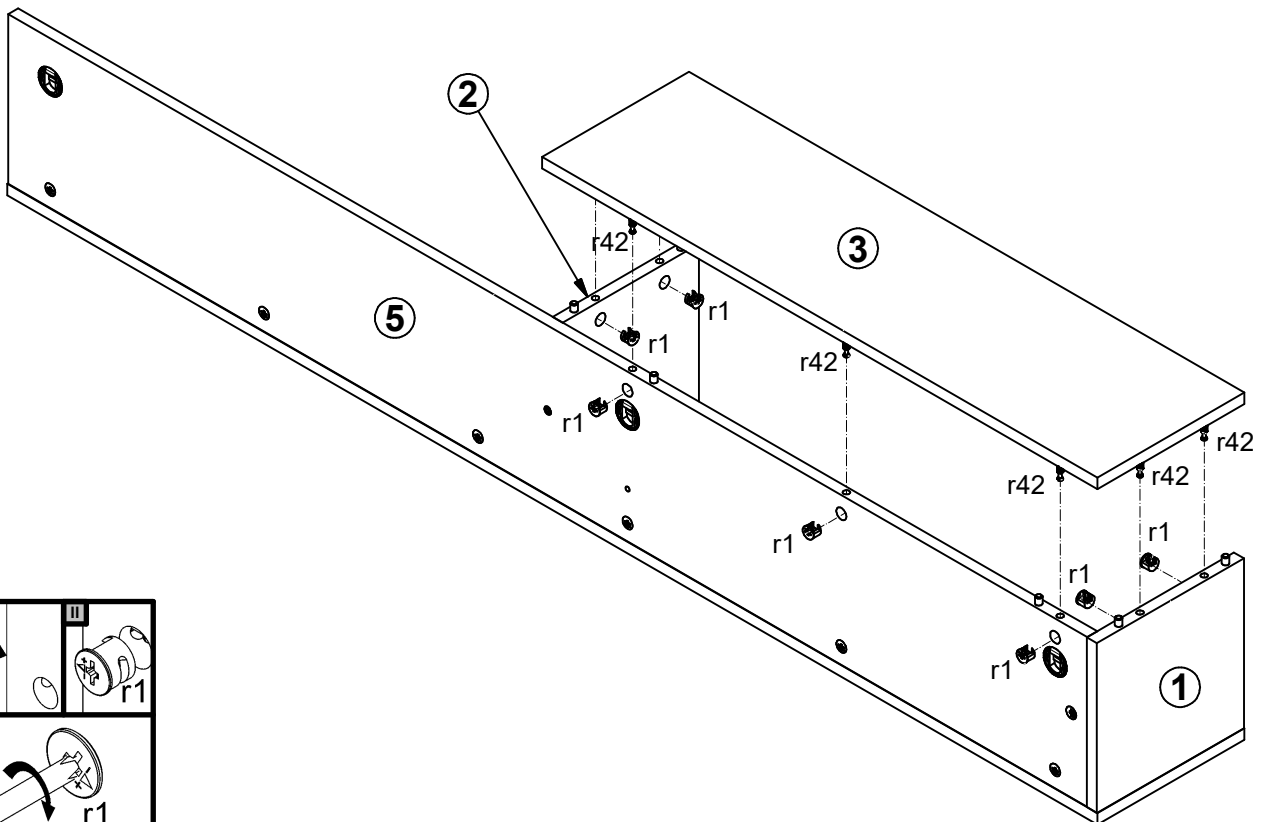

1




4



5



6 §6

