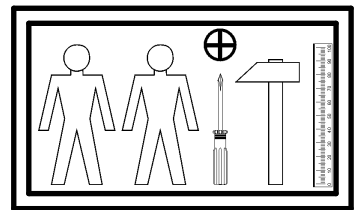
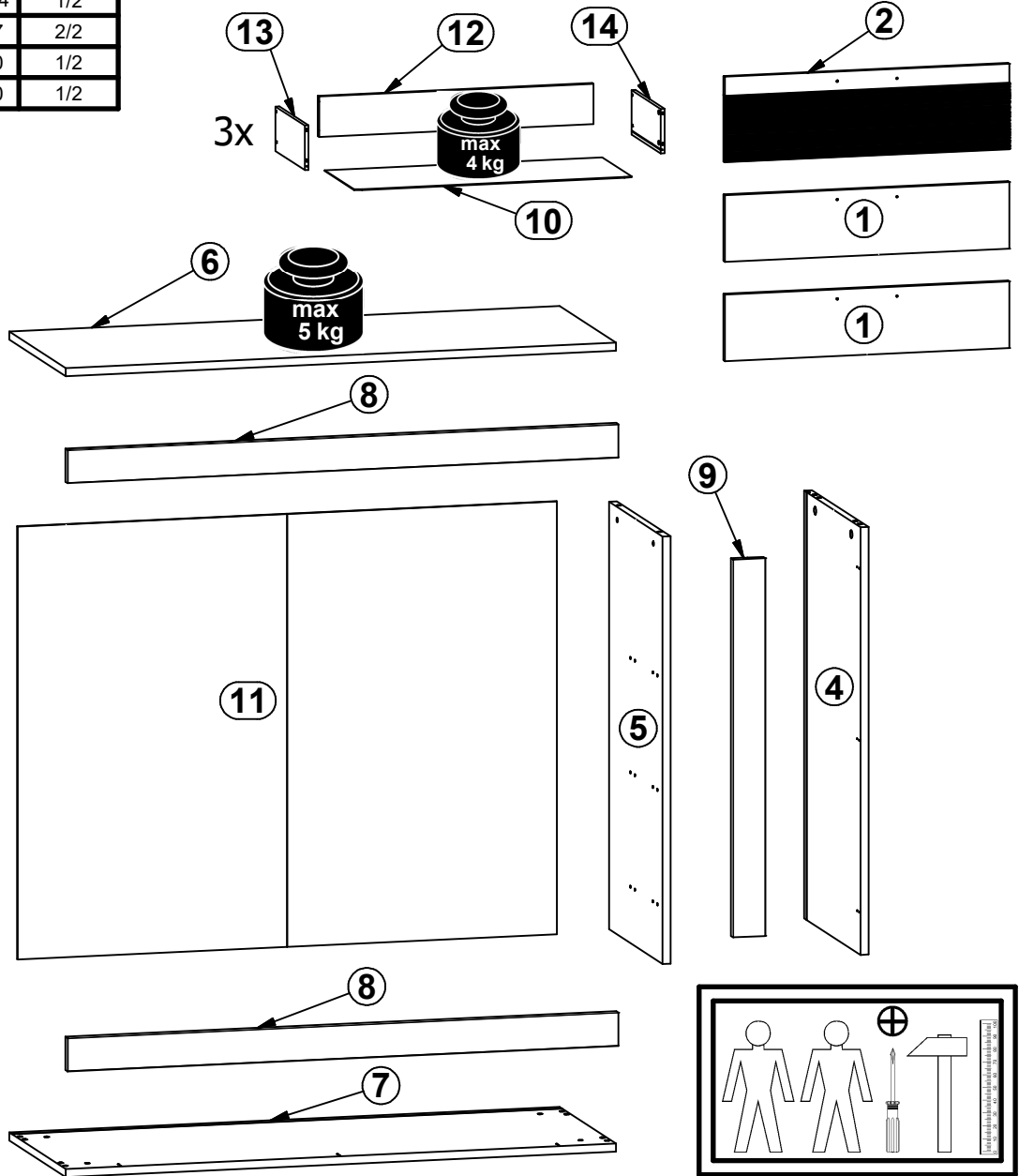
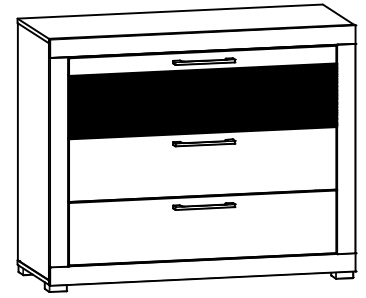
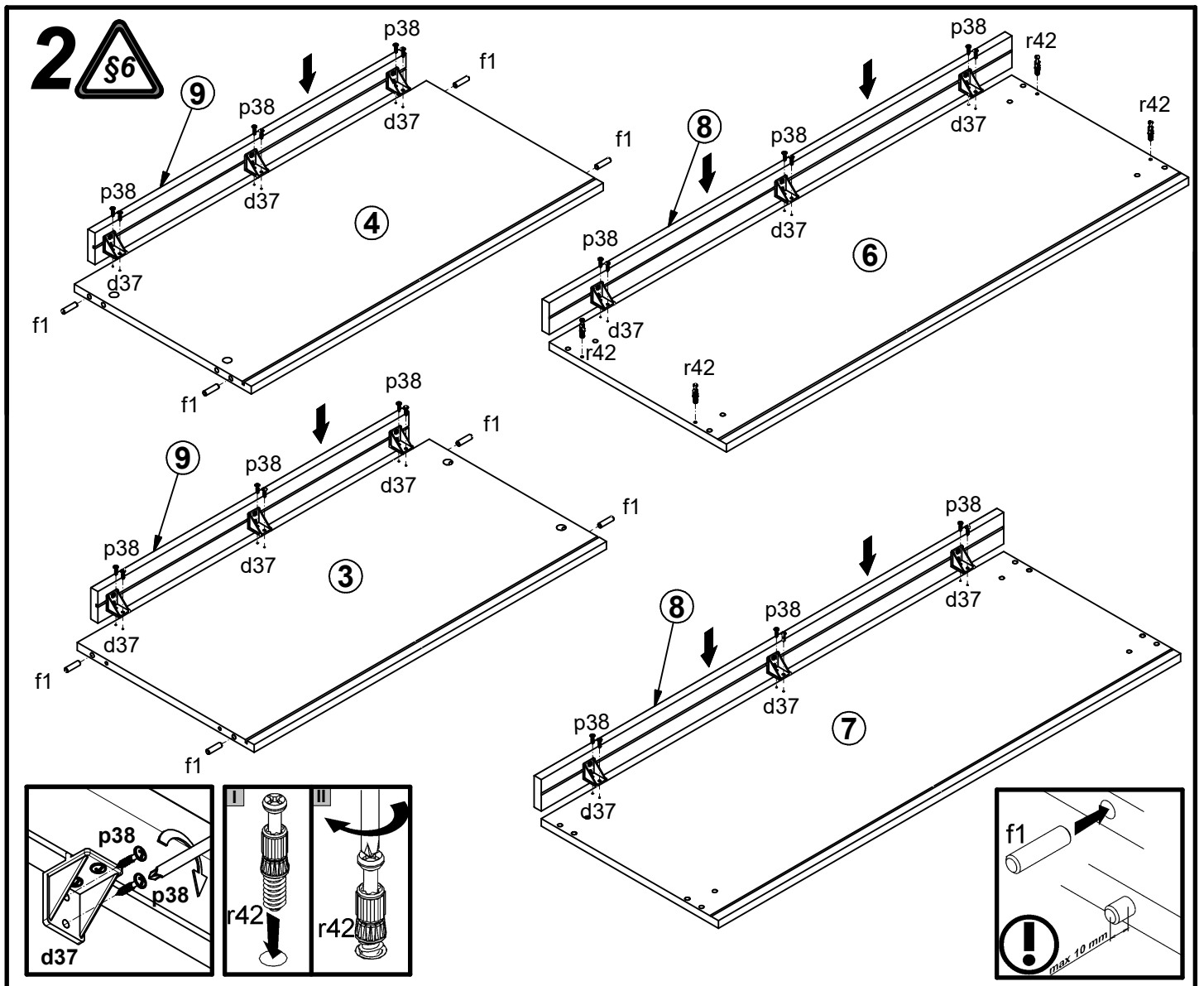
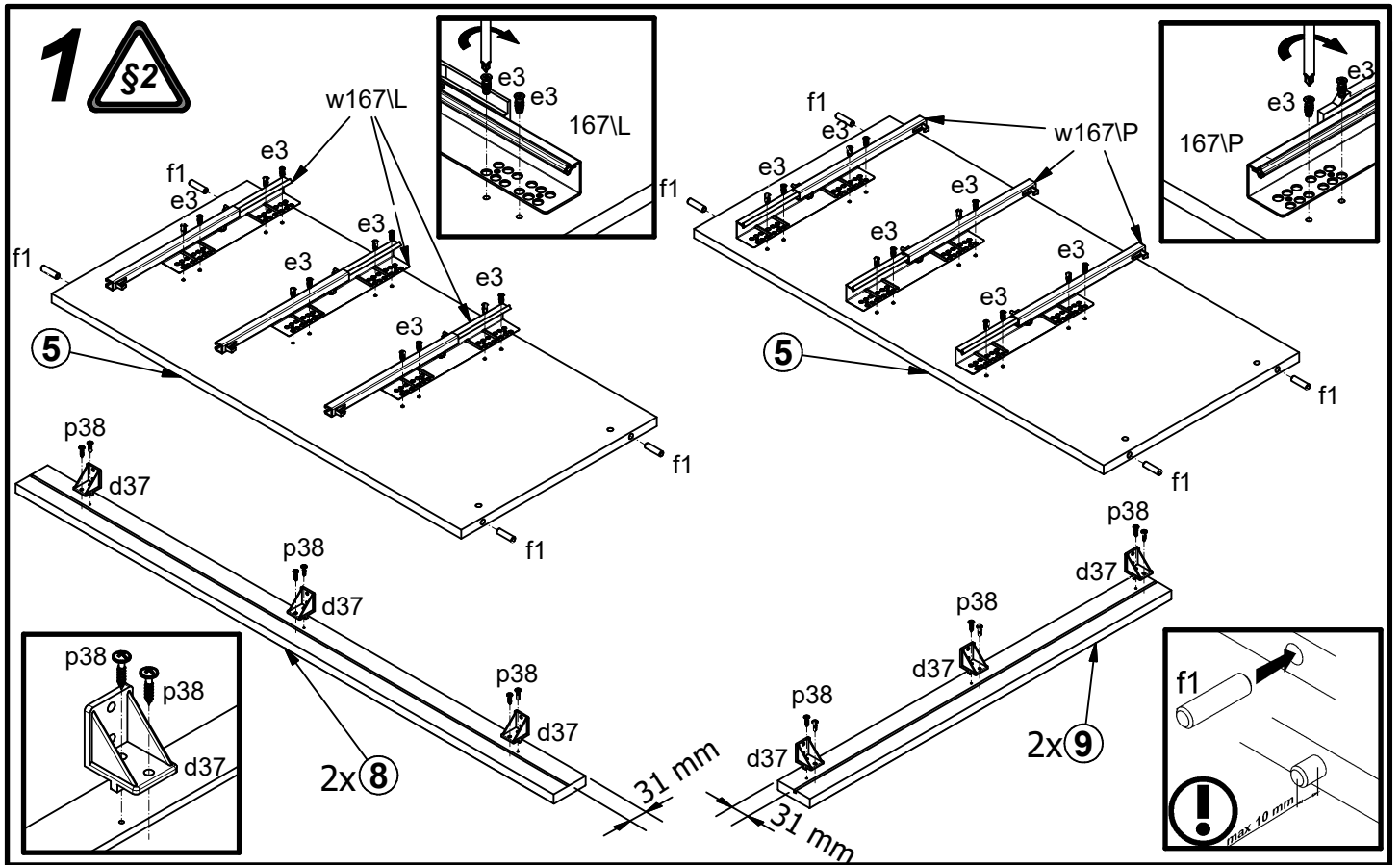


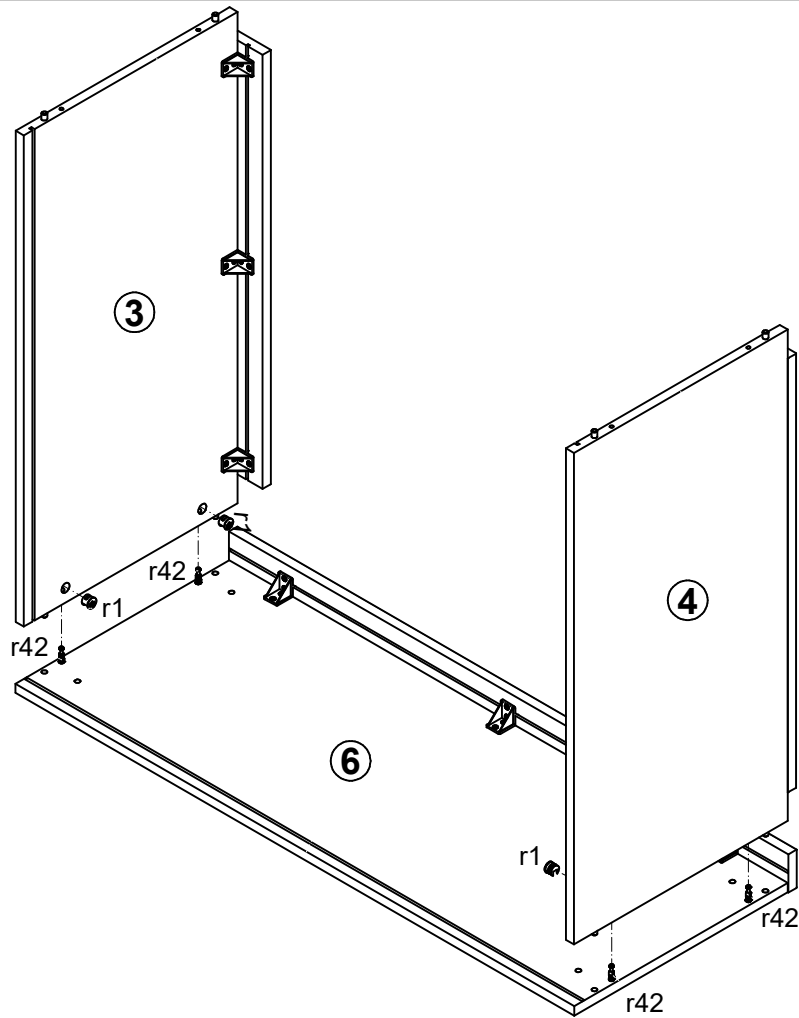
A	B	C	D
1	S428-0001	915	210
2	S428-0002	915	270
3	S428-1001	796	400
4	S428-1002	796	400
5	S428-1003	796	380
6	S428-2001	1045	400
7	S428-2002	1045	400
8	S428-5001	1046	62
9	S428-5002	703	62
10	S428-9001	892	357
11	S428-9301	806	1024
12	ZQ6-5029	882	127
13	ZQ6-511	350	140
14	ZQ6-512	350	140



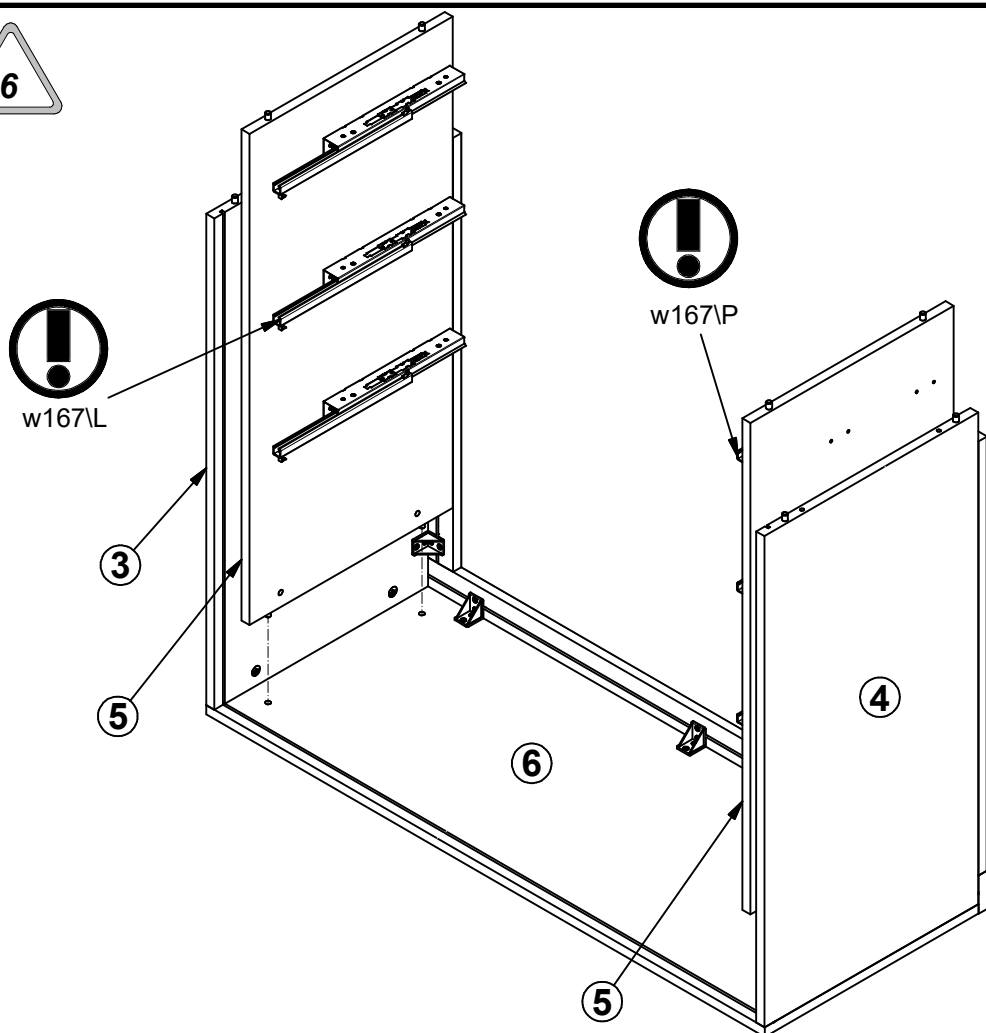
3x 192 mm c306	12x d37	4x Ø7x50 mm e1	24x Ø6x13 mm e3	16x Ø8x30 mm f1	12x Ø6.5x40 mm f25	6x M4x22 mm j30	4x 60x60/25 mm k55	8x l2
3x Ø3.5x16 mm p25	3x Ø3.5x10 mm p35	60x Ø3.5x16 mm p38	6x Ø2.9x16 mm p55	8x Ø4x35 mm p6	4x Ø15x12 mm #16 r1	12x Ø12x10.5 mm #12 r15	16x 20/11 r42	3x 350 mm t35
3x 350mm w167L	3x 350mm w167P	1x 4 mm z1						
							1x n26	1x Ø3.5x16 mm p38



**3** §6

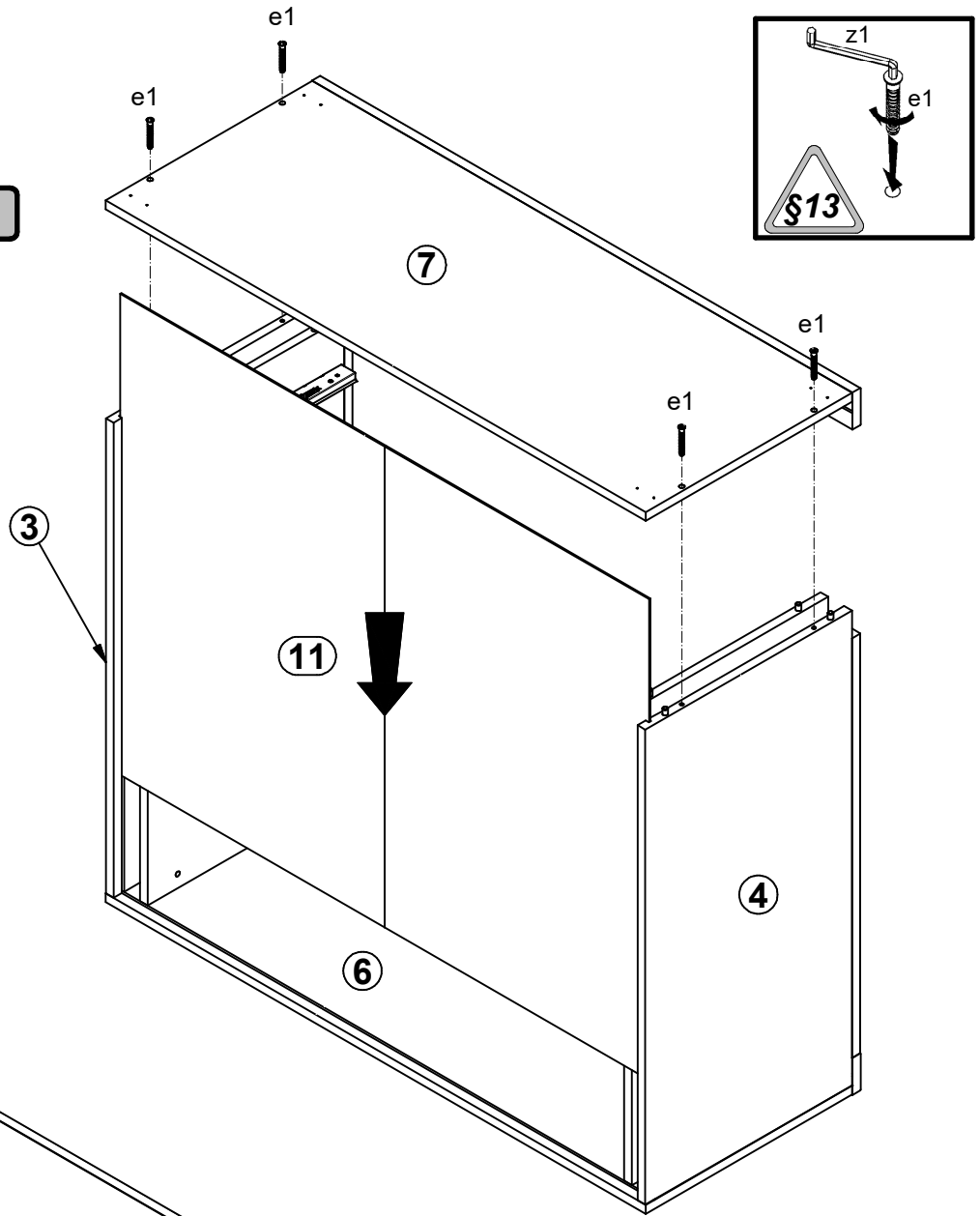


**4** §6

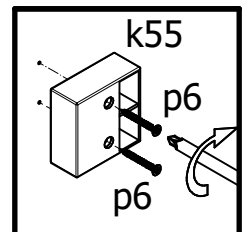
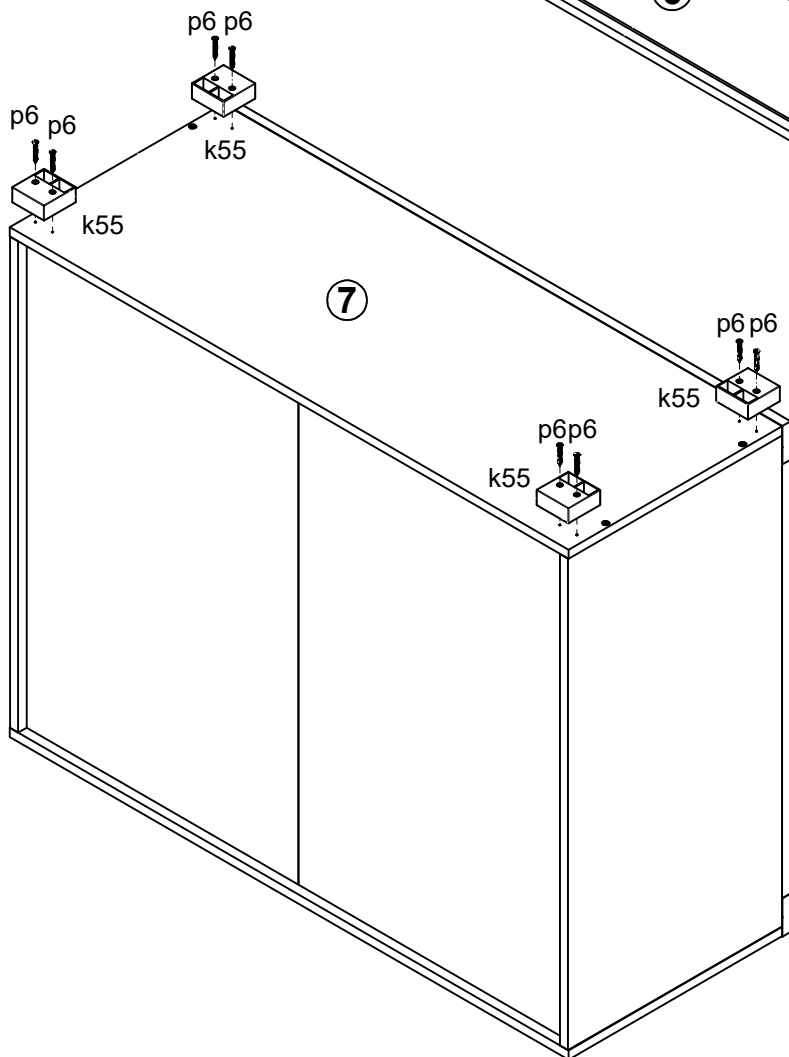


# 5

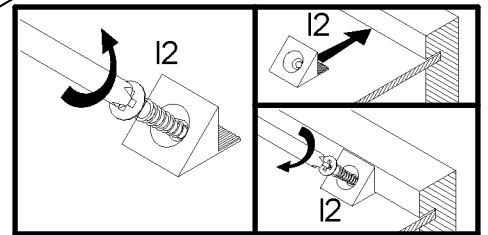
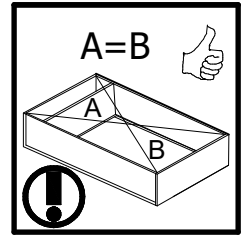
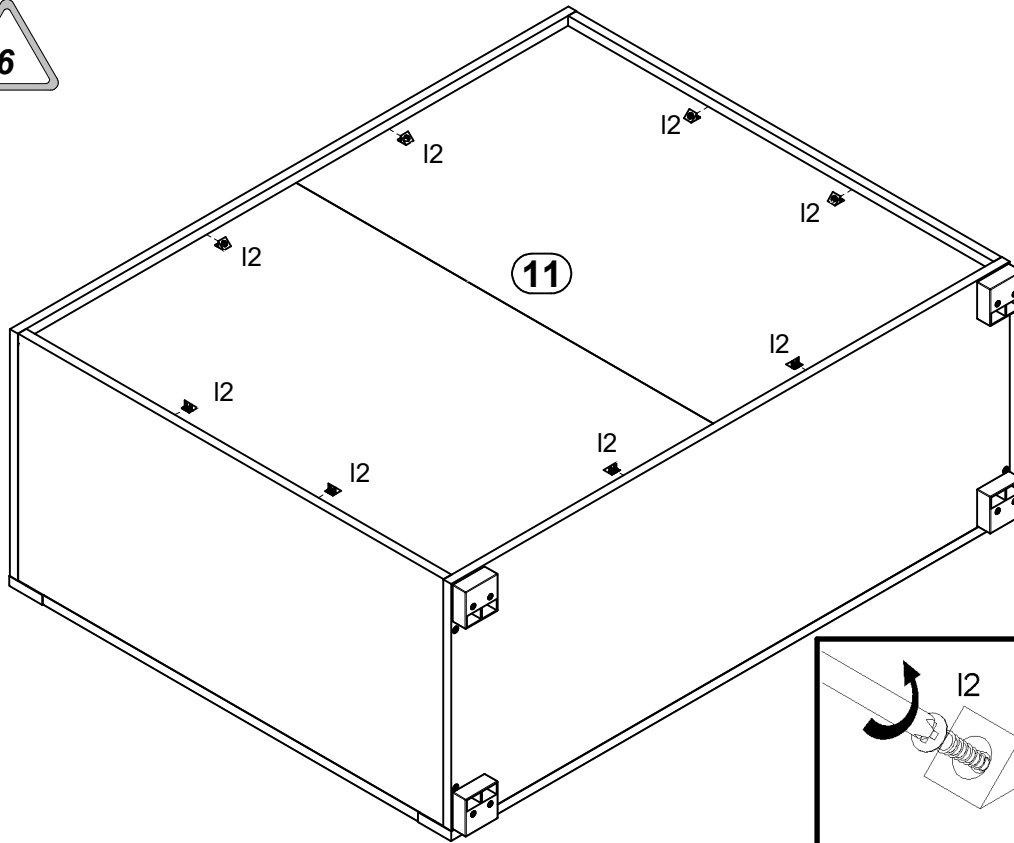
I



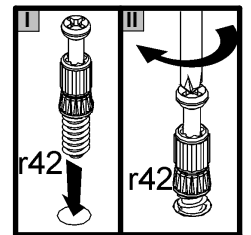
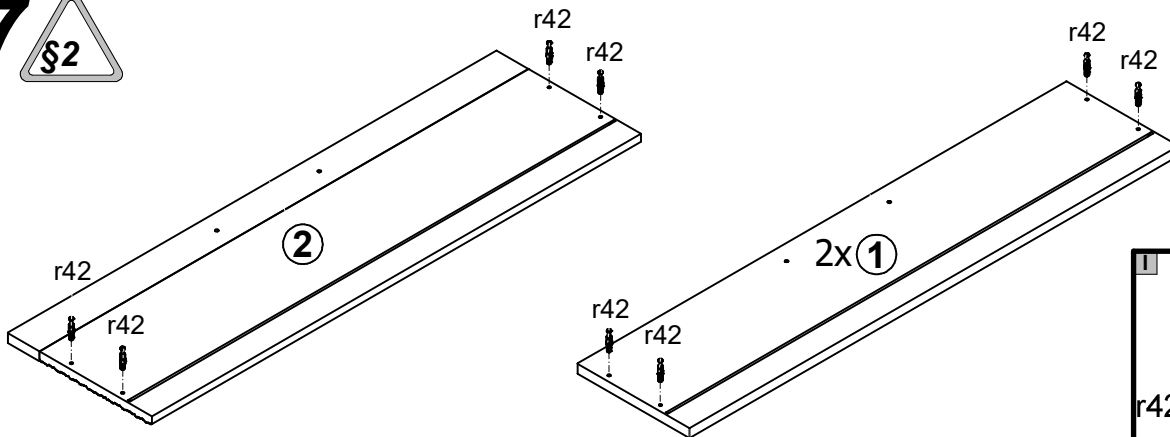
II



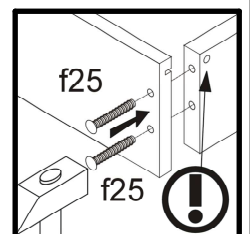
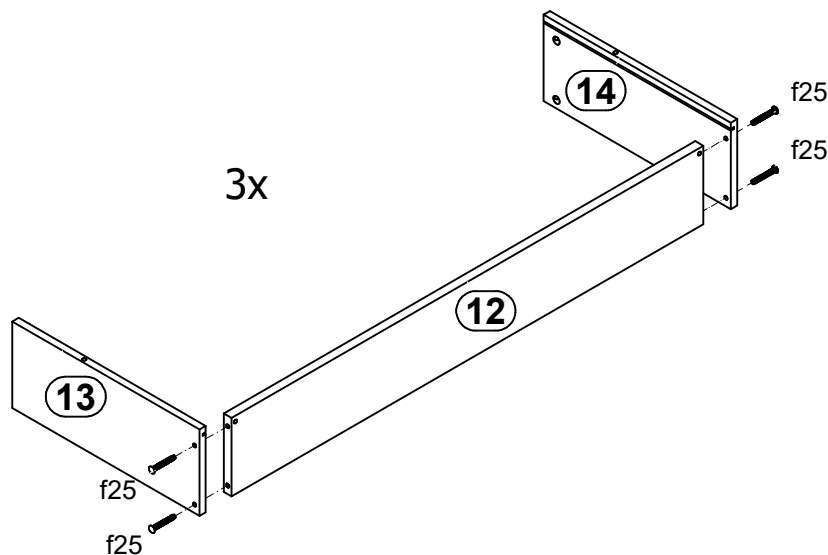
**6** §6



**7** §2

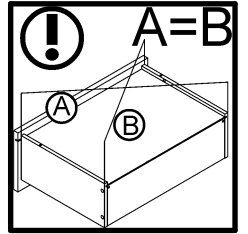
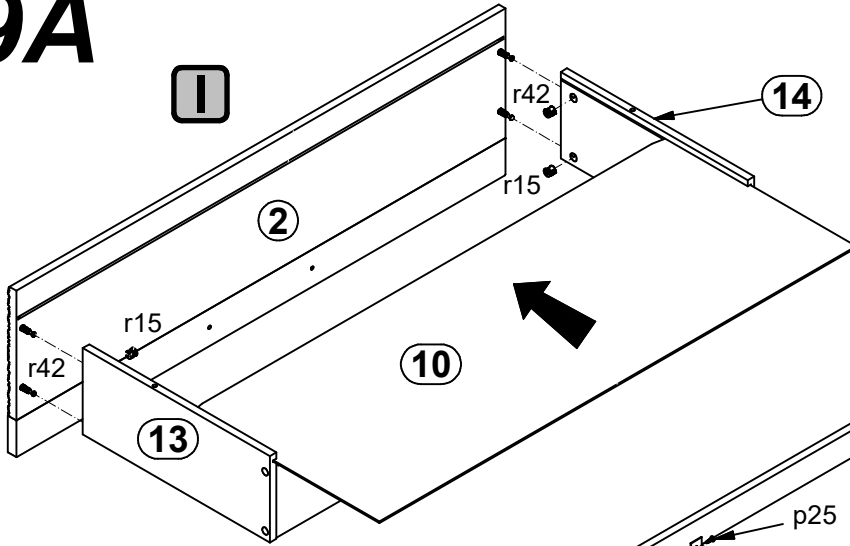


**8** §6

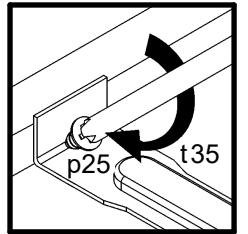
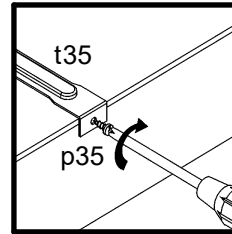
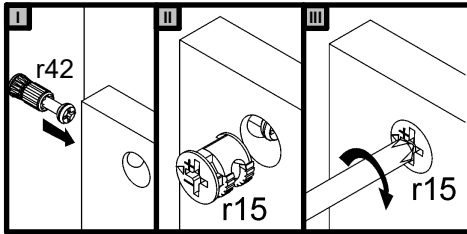
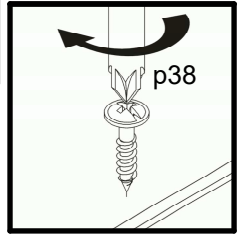
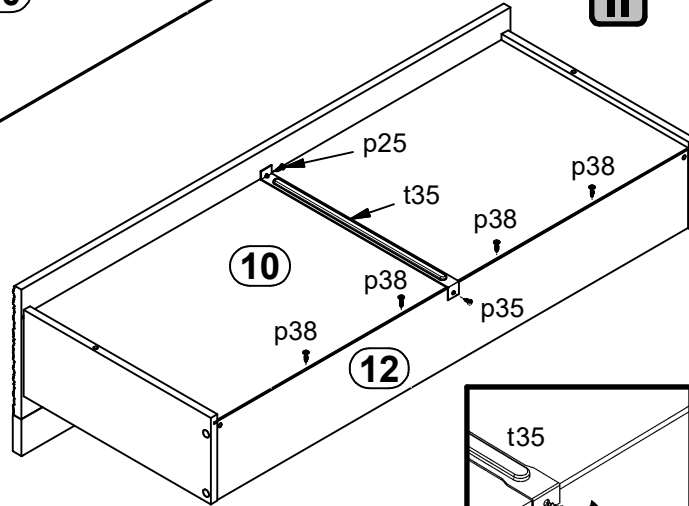


# 9A

I



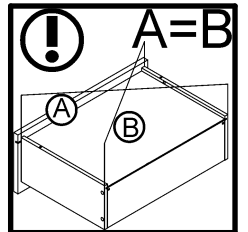
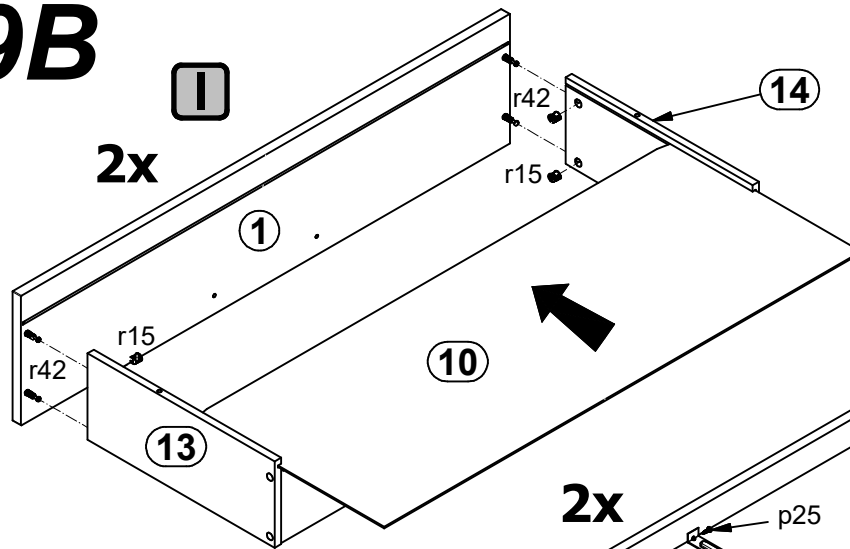
II



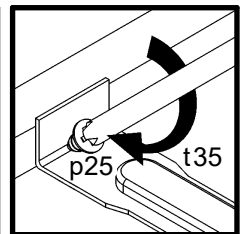
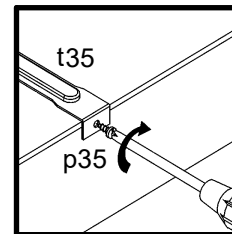
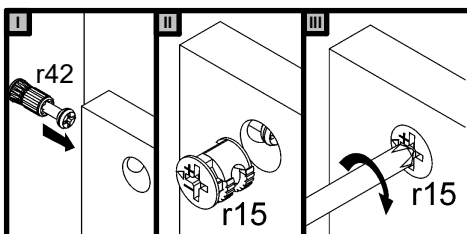
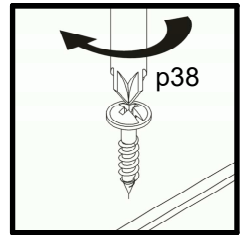
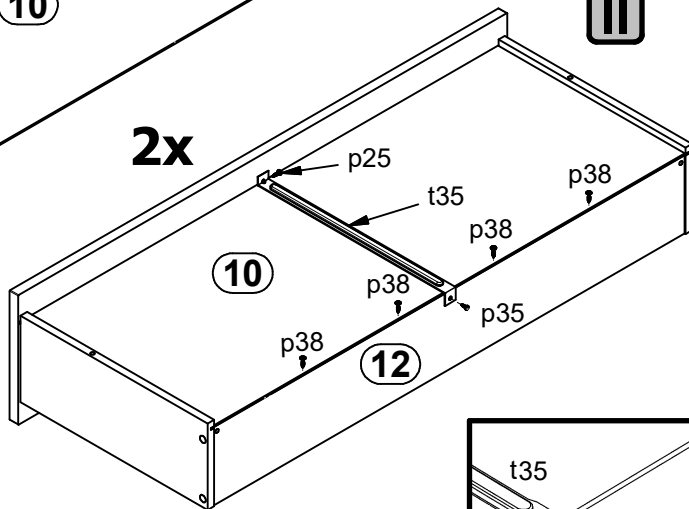
# 9B

I

2x



II



10 

