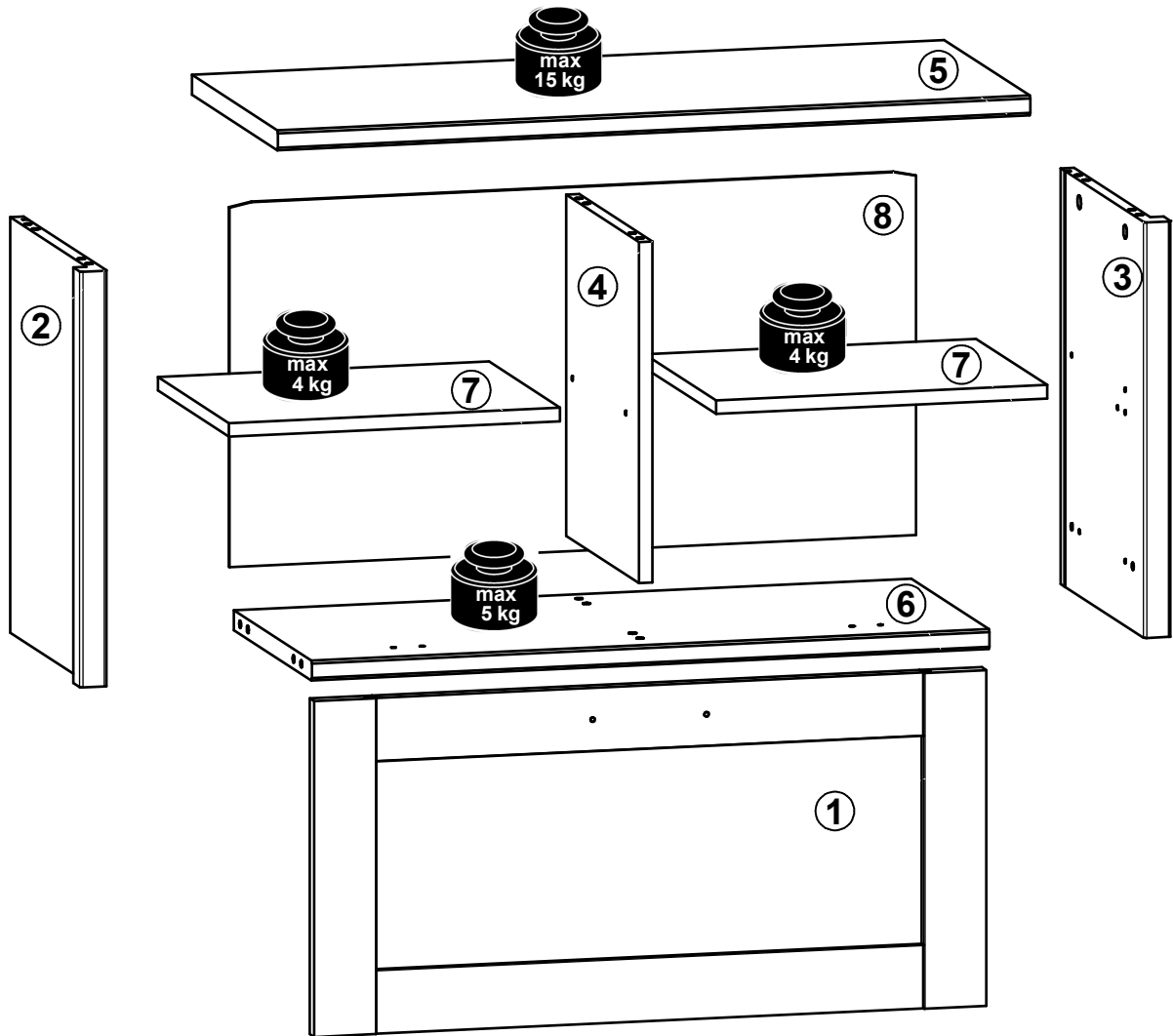
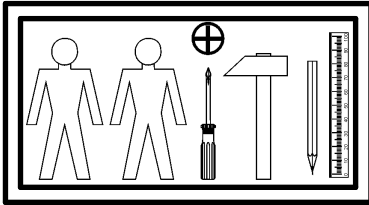
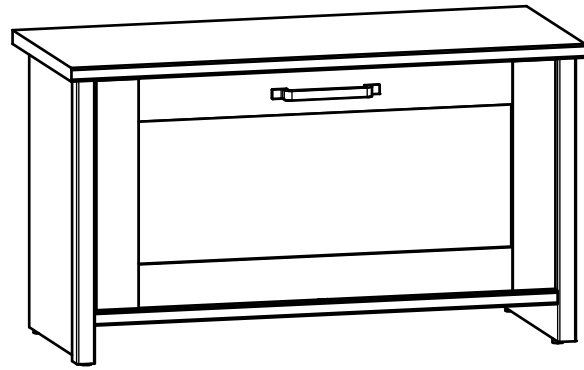
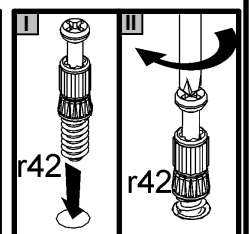
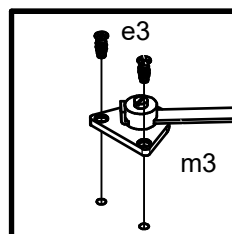
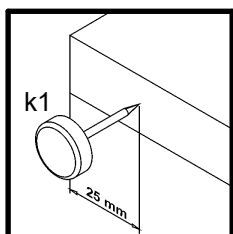
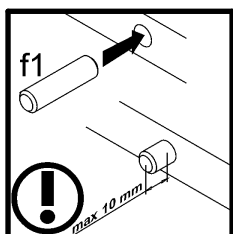
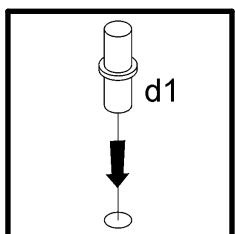
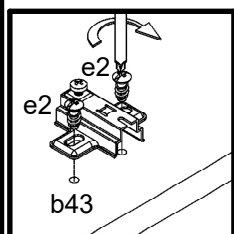
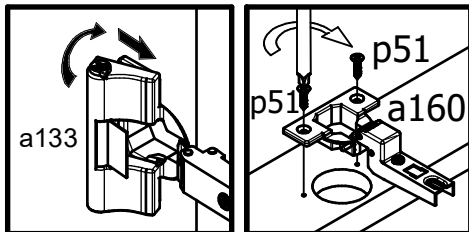
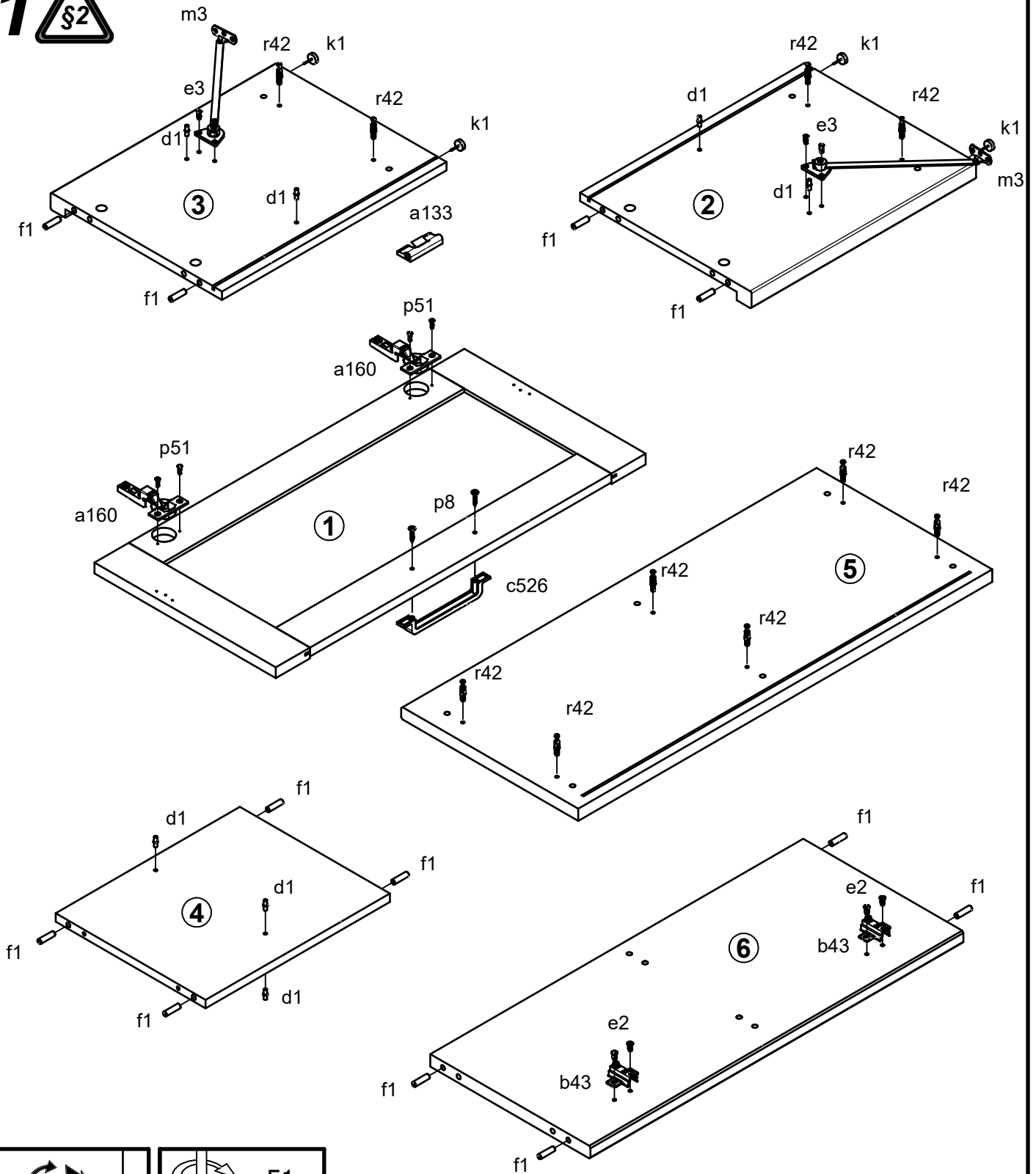


A	B	C	D
1	S455-0010	370	755 1/1
2	S455-1011	458	350 1/1
3	S455-1012	458	350 1/1
4	S455-1015	376	306 1/1
5	S455-2006	845	361 1/1
6	S455-3012	761	327 1/1
7	S455-3013	372	298 1/1
8	S455-9007	401	771 1/1

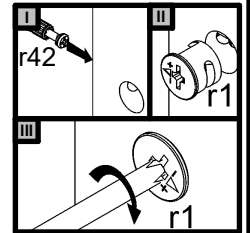
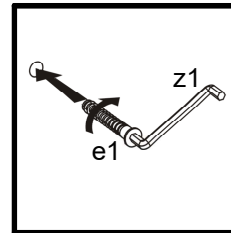
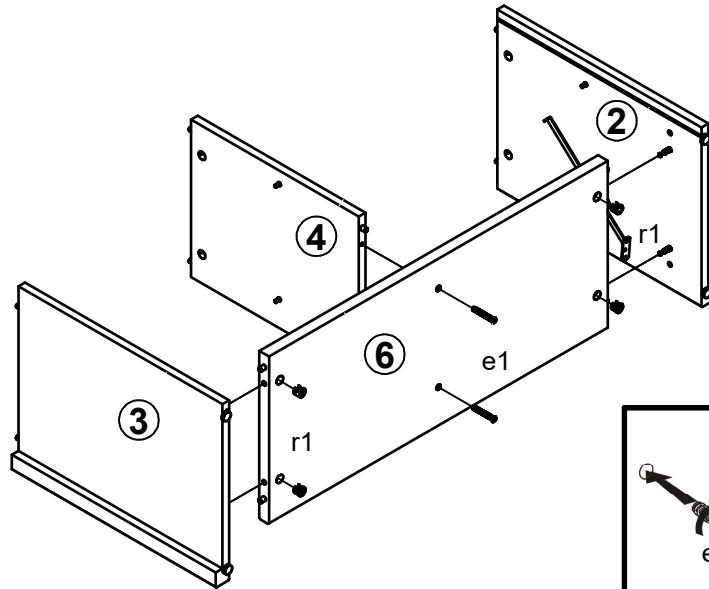


1x a133	2x a160	2x b43	3x c526 128mm	8x d1 Ø5x17 mm	2x e1 Ø7x50 mm	4x e2 Ø6.3x13 mm	4x e3 Ø6x13 mm	12x f1 Ø8x30 mm	
4x k1	10x l1 1.4x20 mm	4x l2	2x m3 L=236 mm	6x p1 Ø3.5x13 mm	4x p51 Ø3.5x15 mm	2x p8 Ø4x25 mm	10x r1 Ø15x12 mm #16	10x r42 20/11	
6x s2 Ø16	1x z1 4 mm	1x n26\1	1x p38 Ø3.5x16 mm						

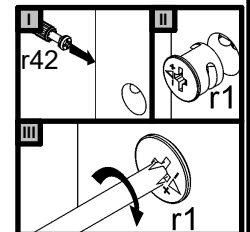
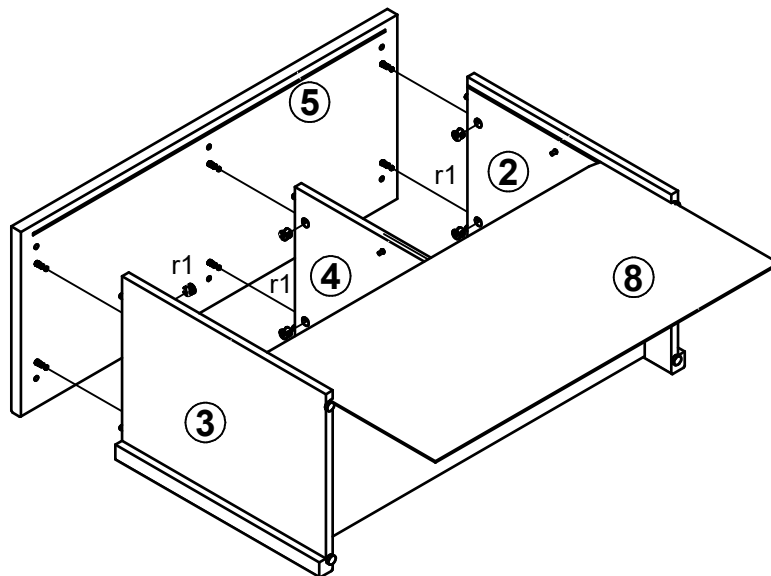
1 



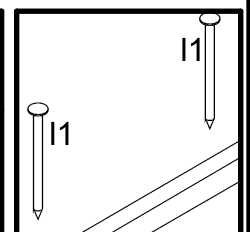
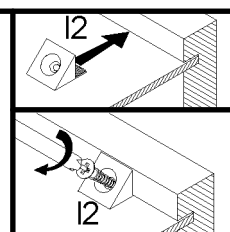
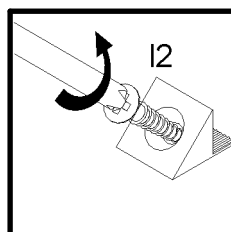
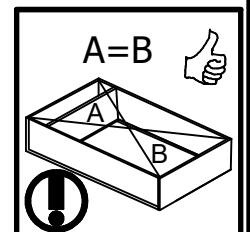
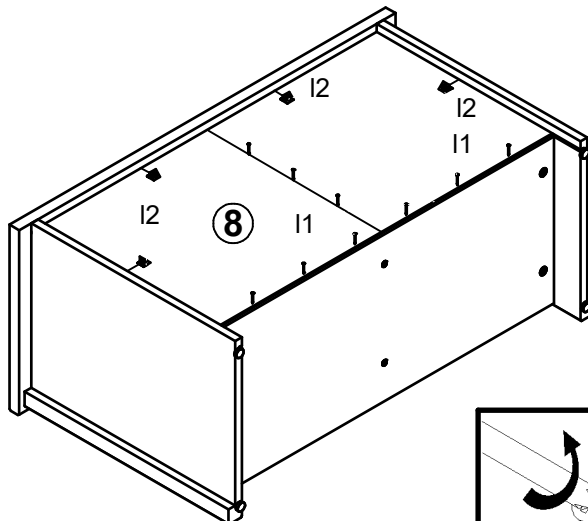
2



3



4



5

