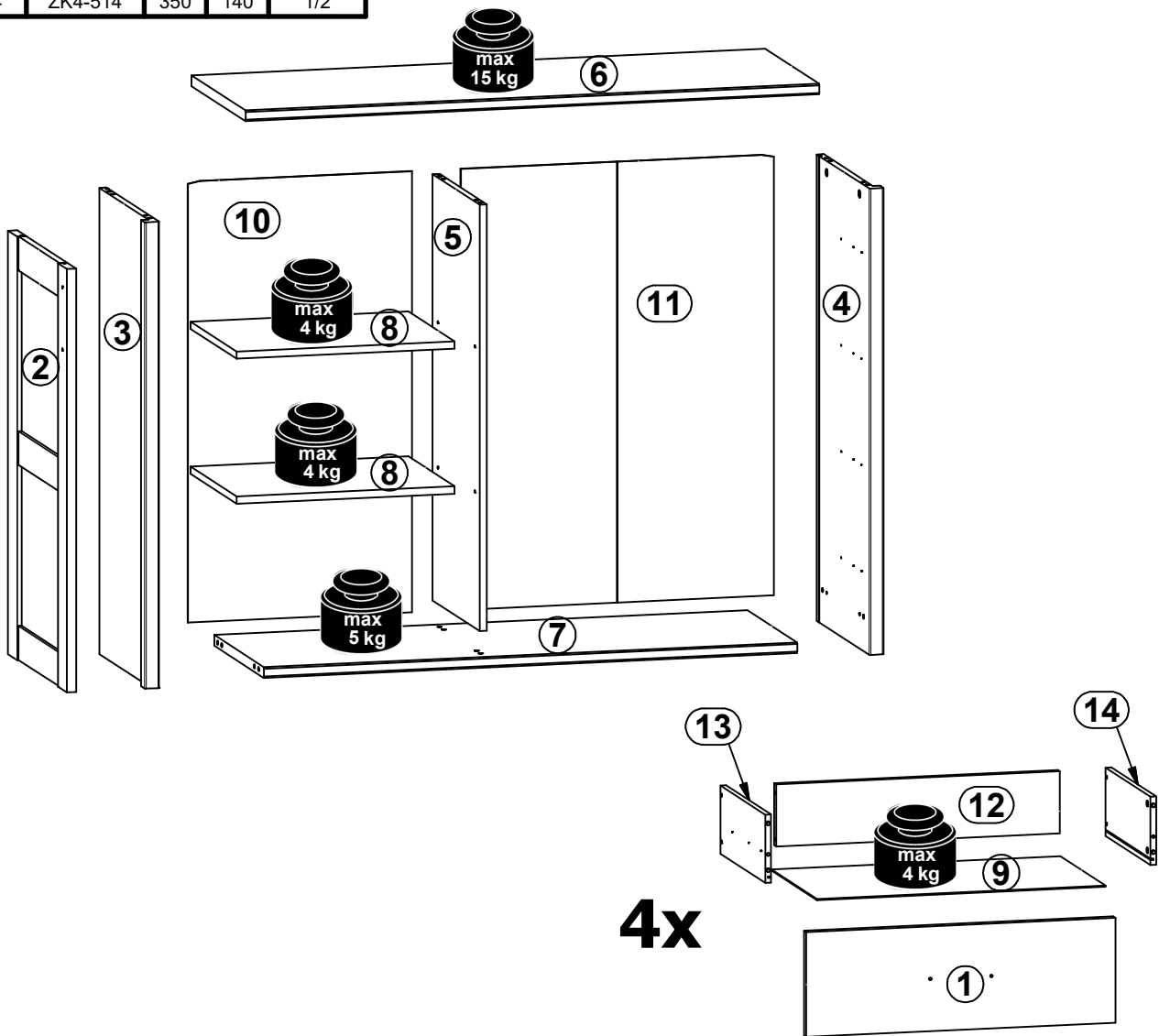
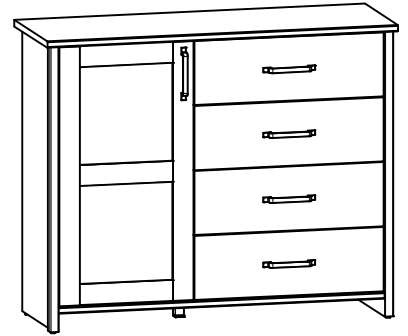
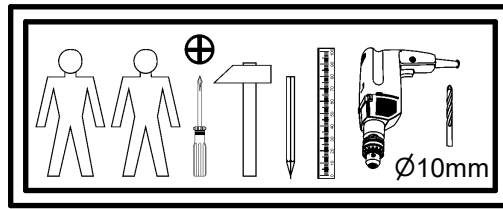
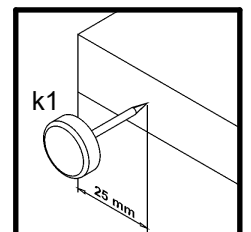
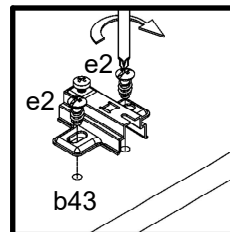
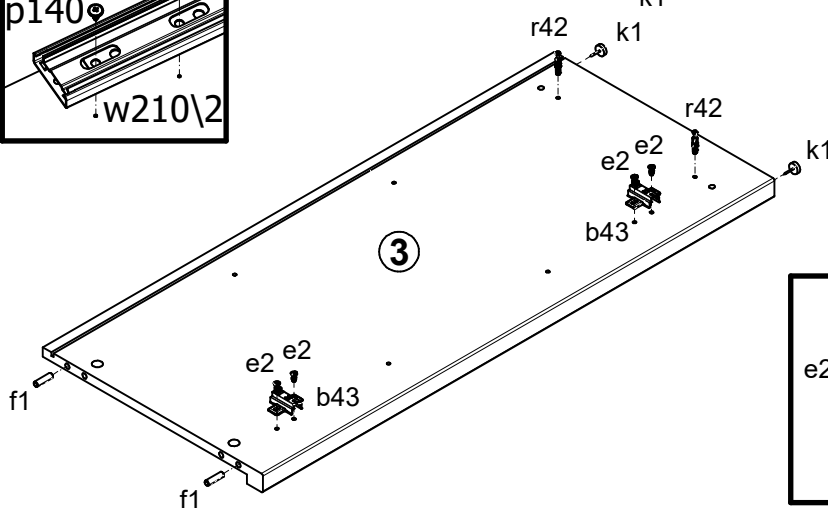
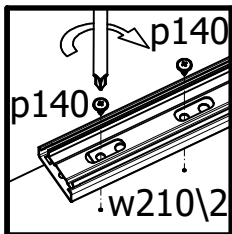
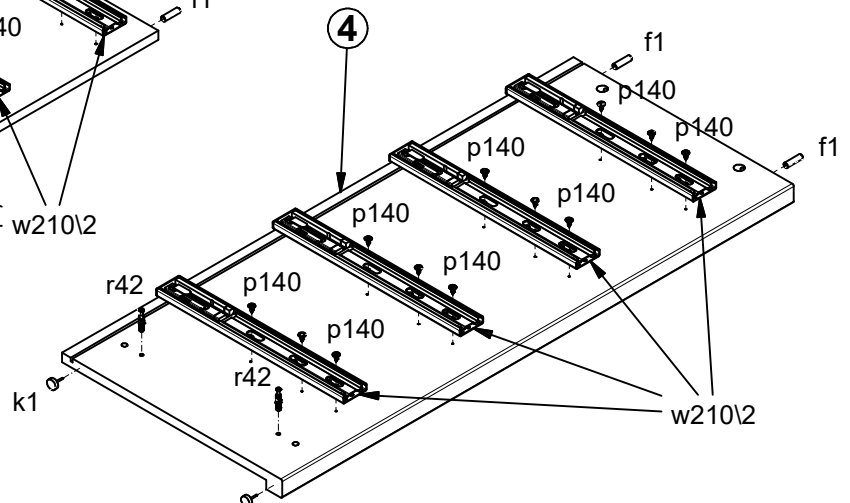
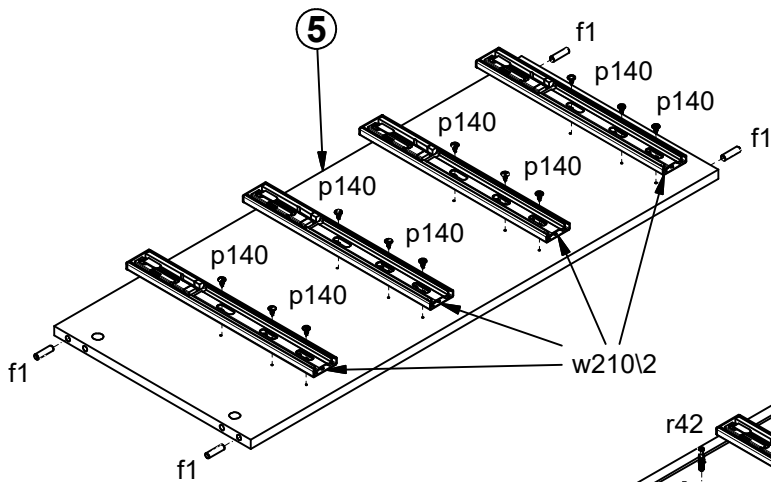
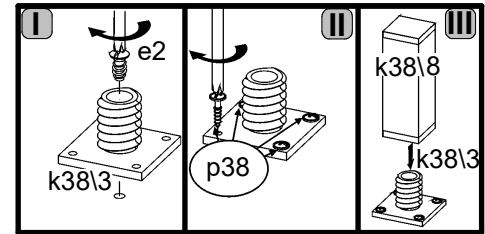
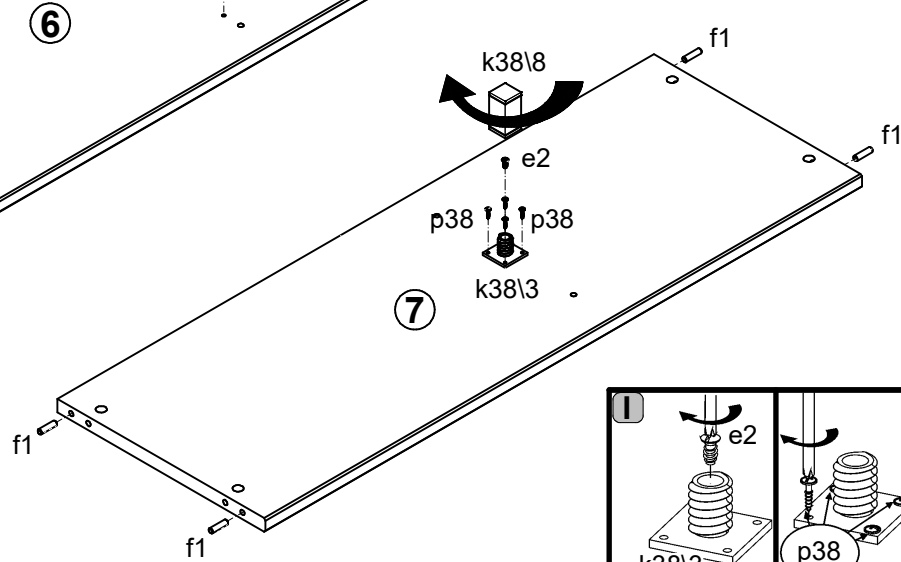
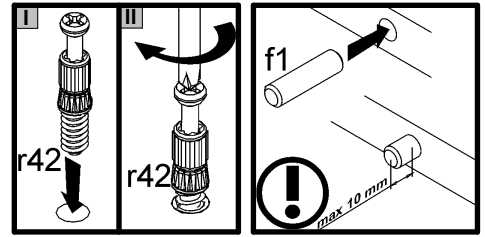
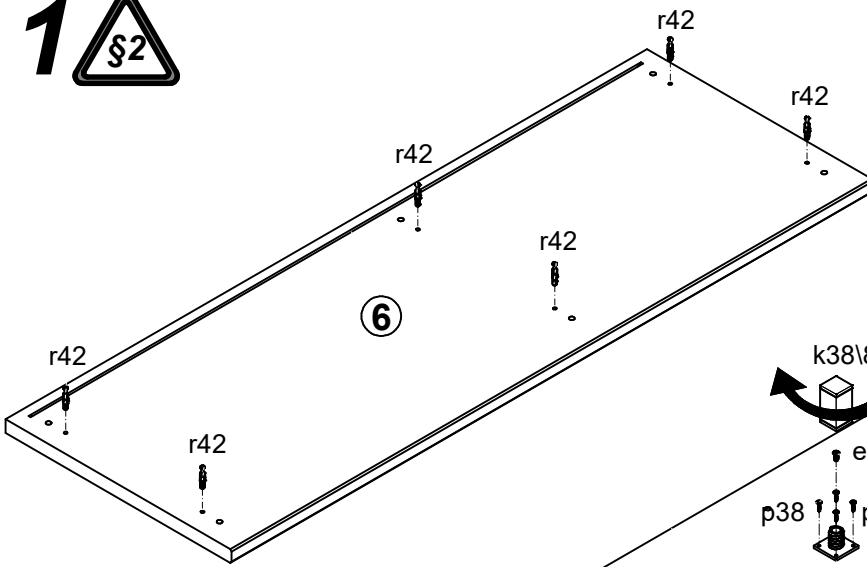


A	B	C	D
1	S455-0004	647	215
2	S455-0005	869	460
3	S455-1004	957	412
4	S455-1005	957	412
5	S455-1006	875	368
6	S455-2003	1200	423
7	S455-3005	1116	389
8	S455-3007	456	360
9	S455-9001	604	355
10	S455-9005	905	469
11	S455-9303	905	655
12	ZK3-5044	594	127
13	ZK4-513	350	140
14	ZK4-514	350	140

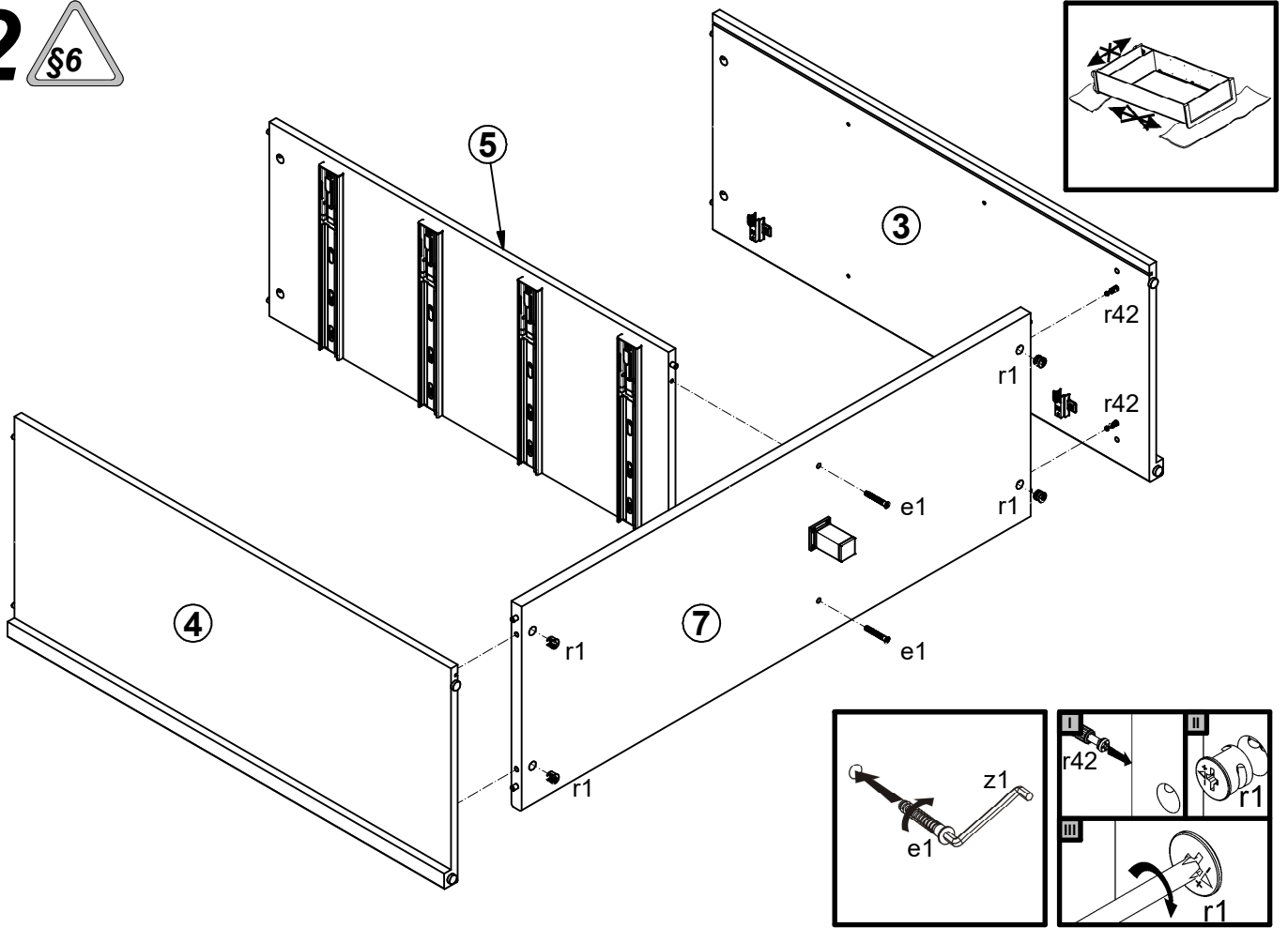


1x  a133	2x  a160	2x  b43	5x  c526	8x  d1	2x  e1	5x  e2	12x  f1	16x  f25
8x  f9	4x  k1	1x  k38\3	1x  k38\8	15x  l1	6x  l2	4x  n108	10x  p9	4x  p25
4x  p35	20x  p38	4x  p51	4x  p55	48x  p140	10x  r1	16x  r15	26x  r42	4x  t35
8x  w210\1	8x  w210\2	2x  s2	1x  z1			1x  n26	1x  p38	

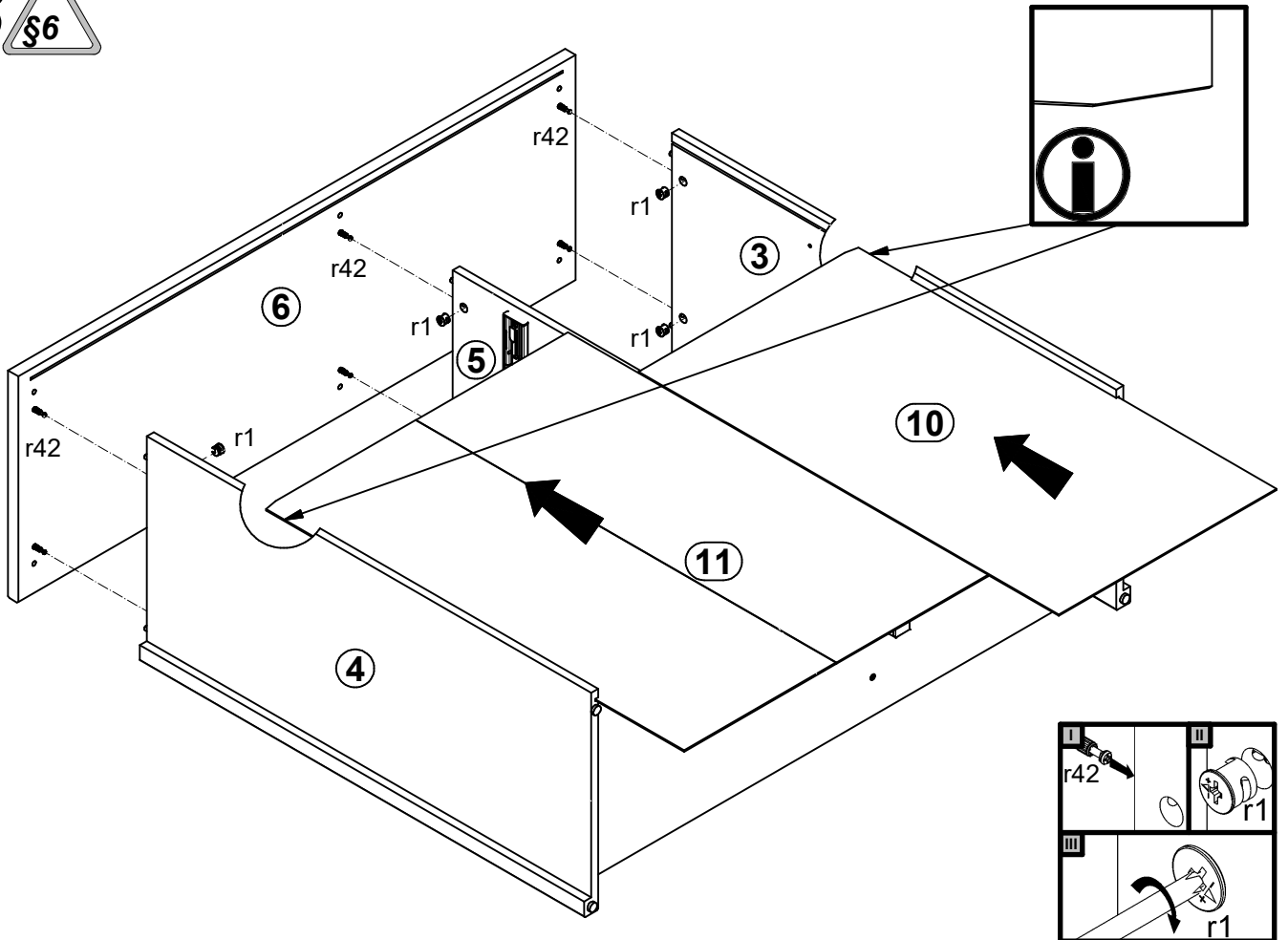
1 



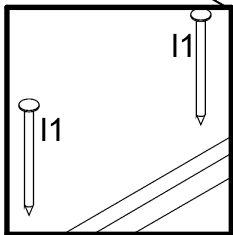
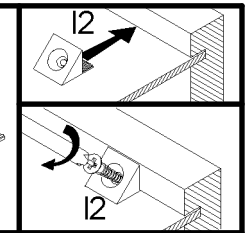
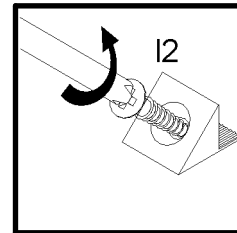
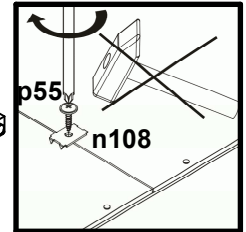
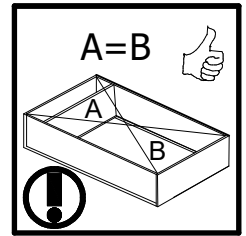
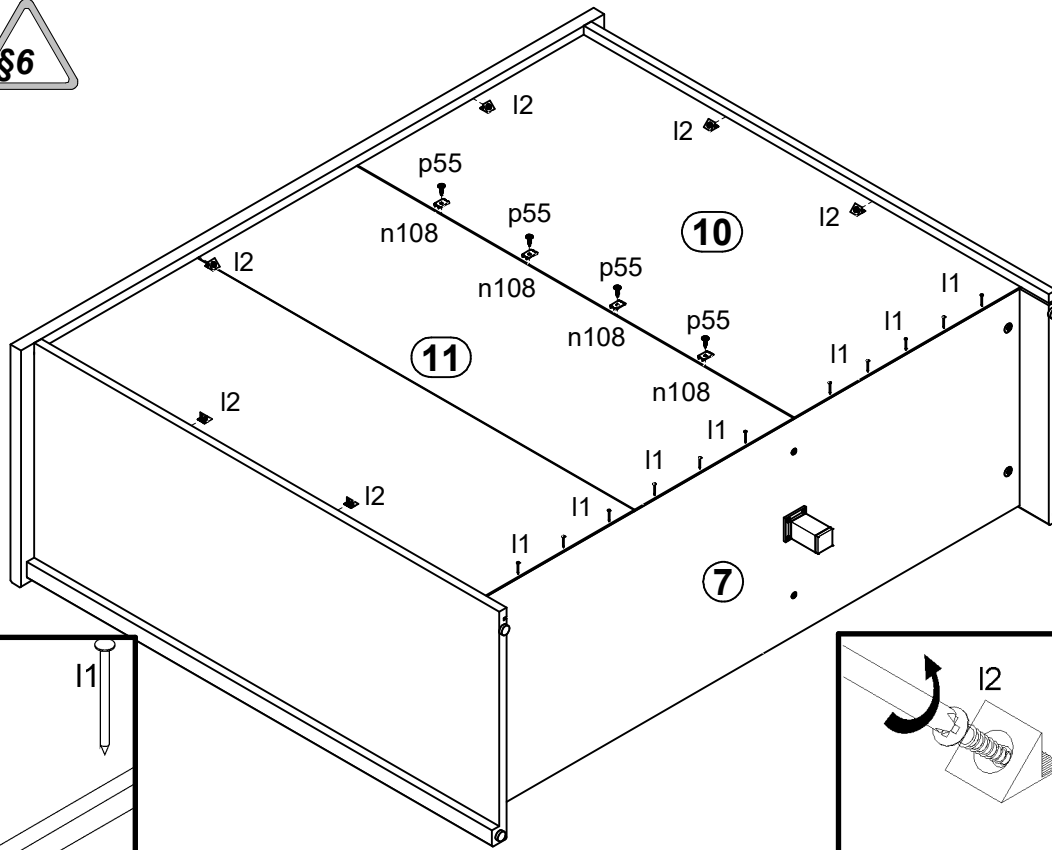
# 2



# 3

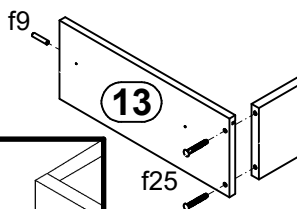
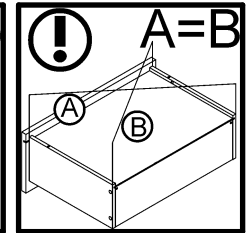
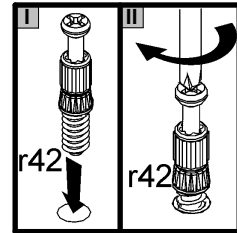
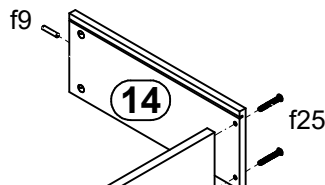
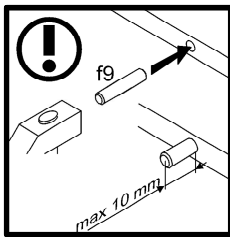


**4** §6

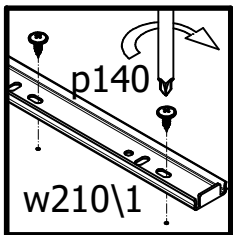
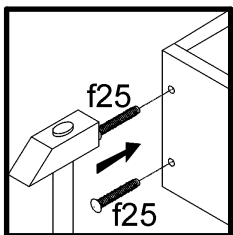
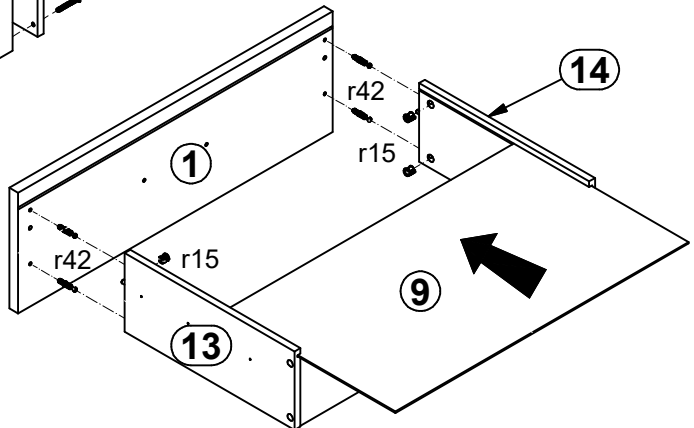


**5** §6

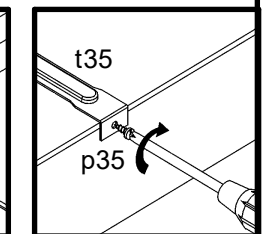
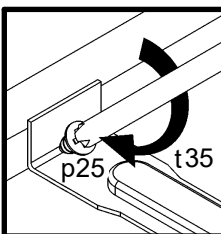
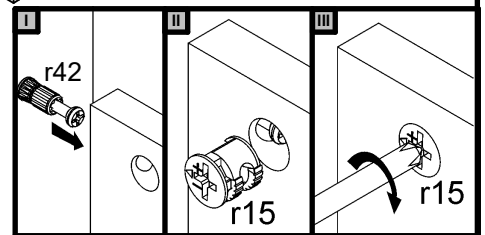
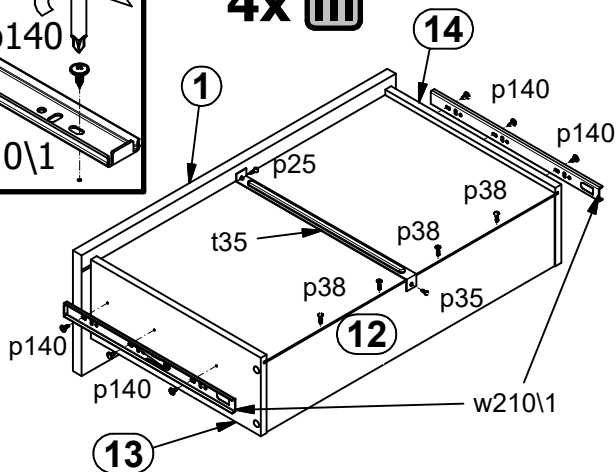
**4x** I



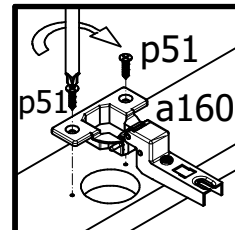
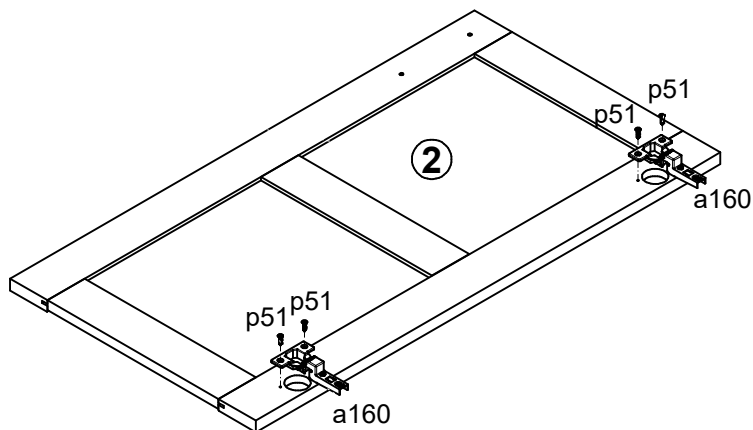
**4x** II



**4x** III



**6** §2



**7** §6

