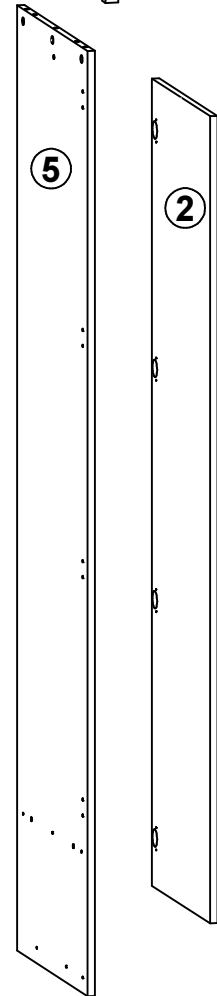
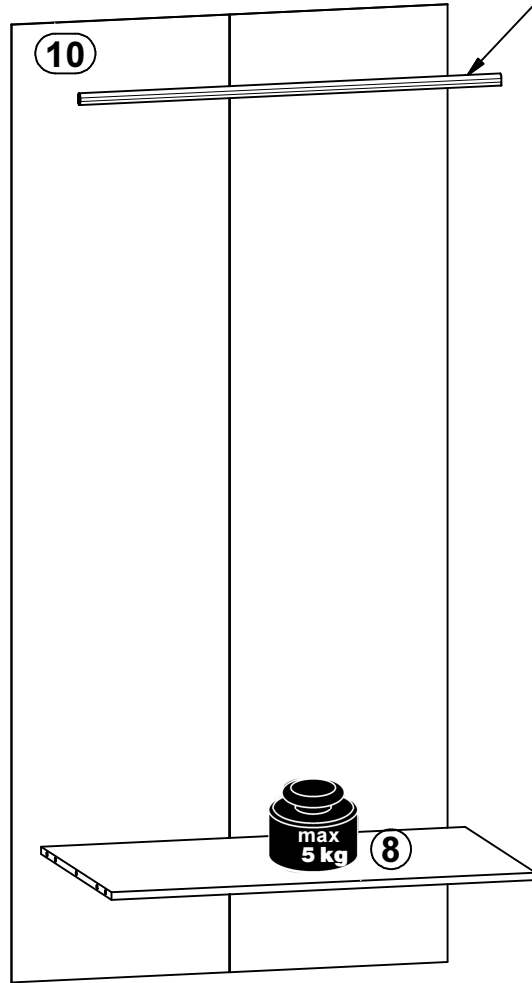
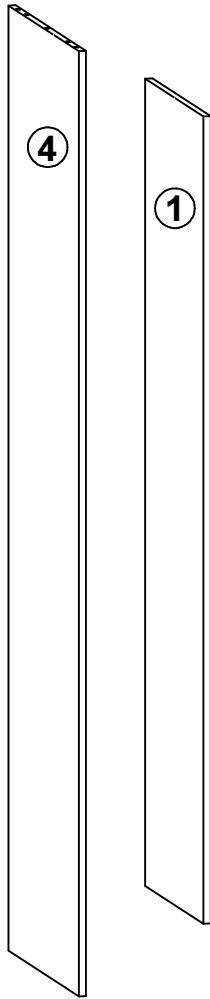
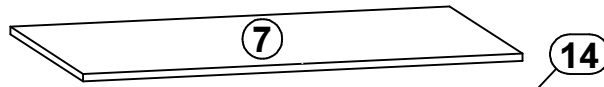
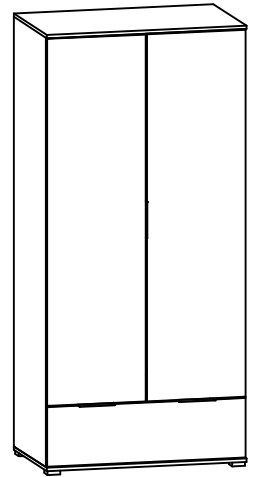
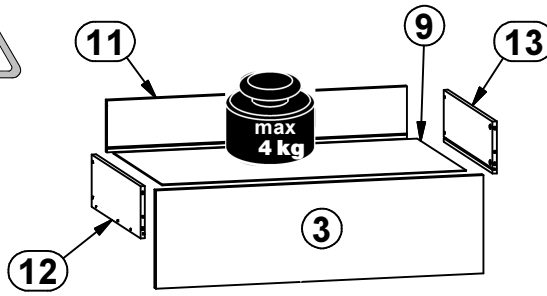
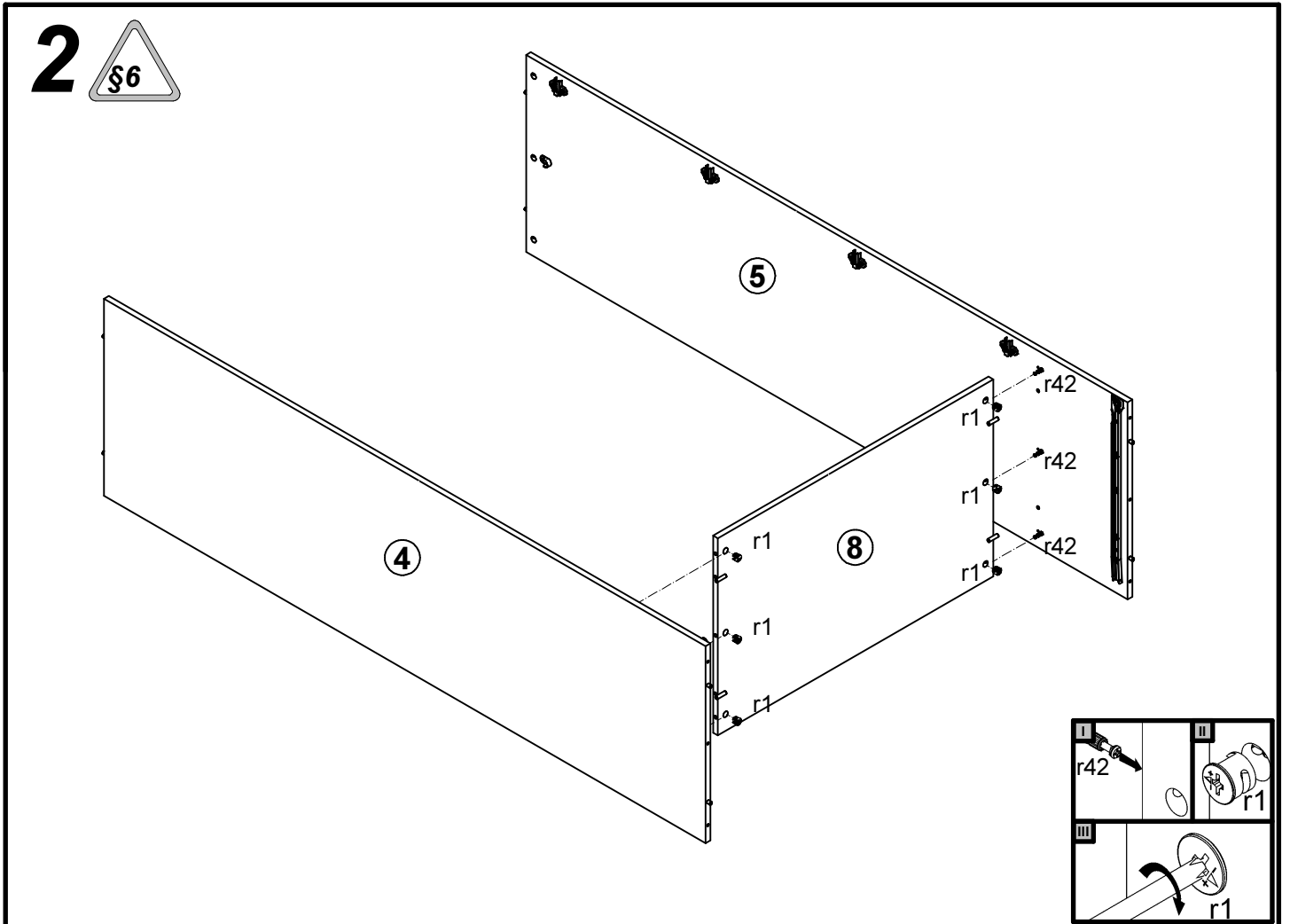
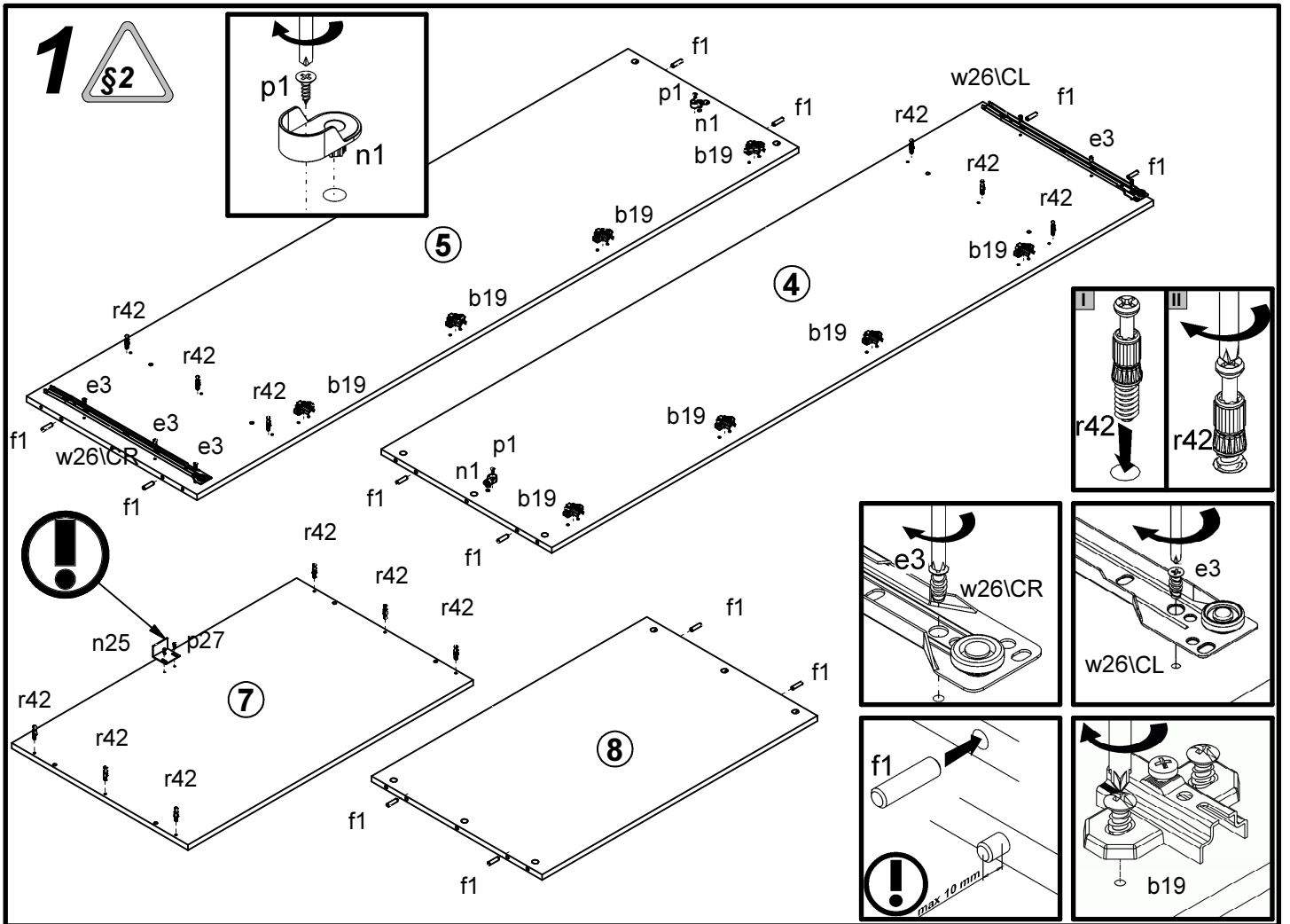
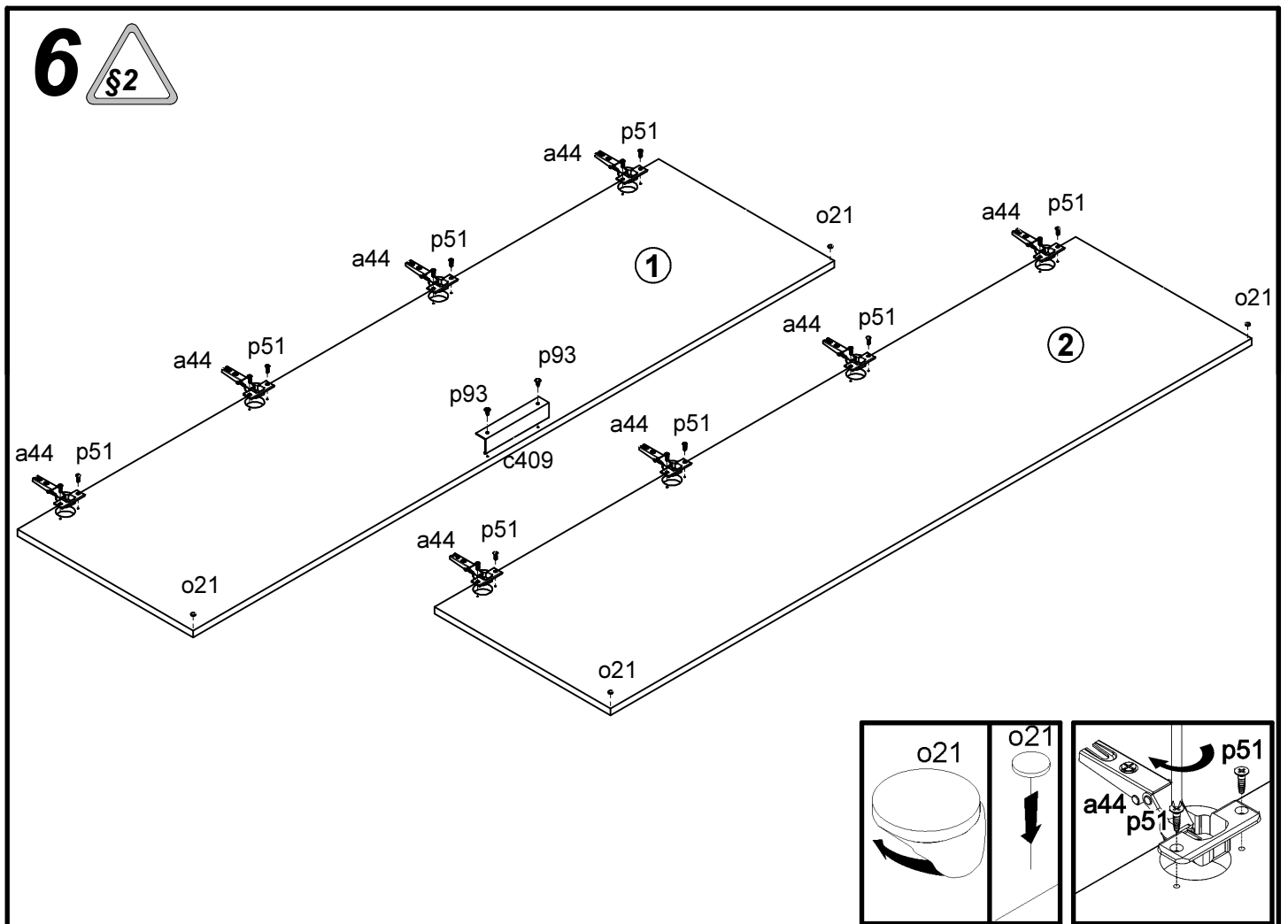
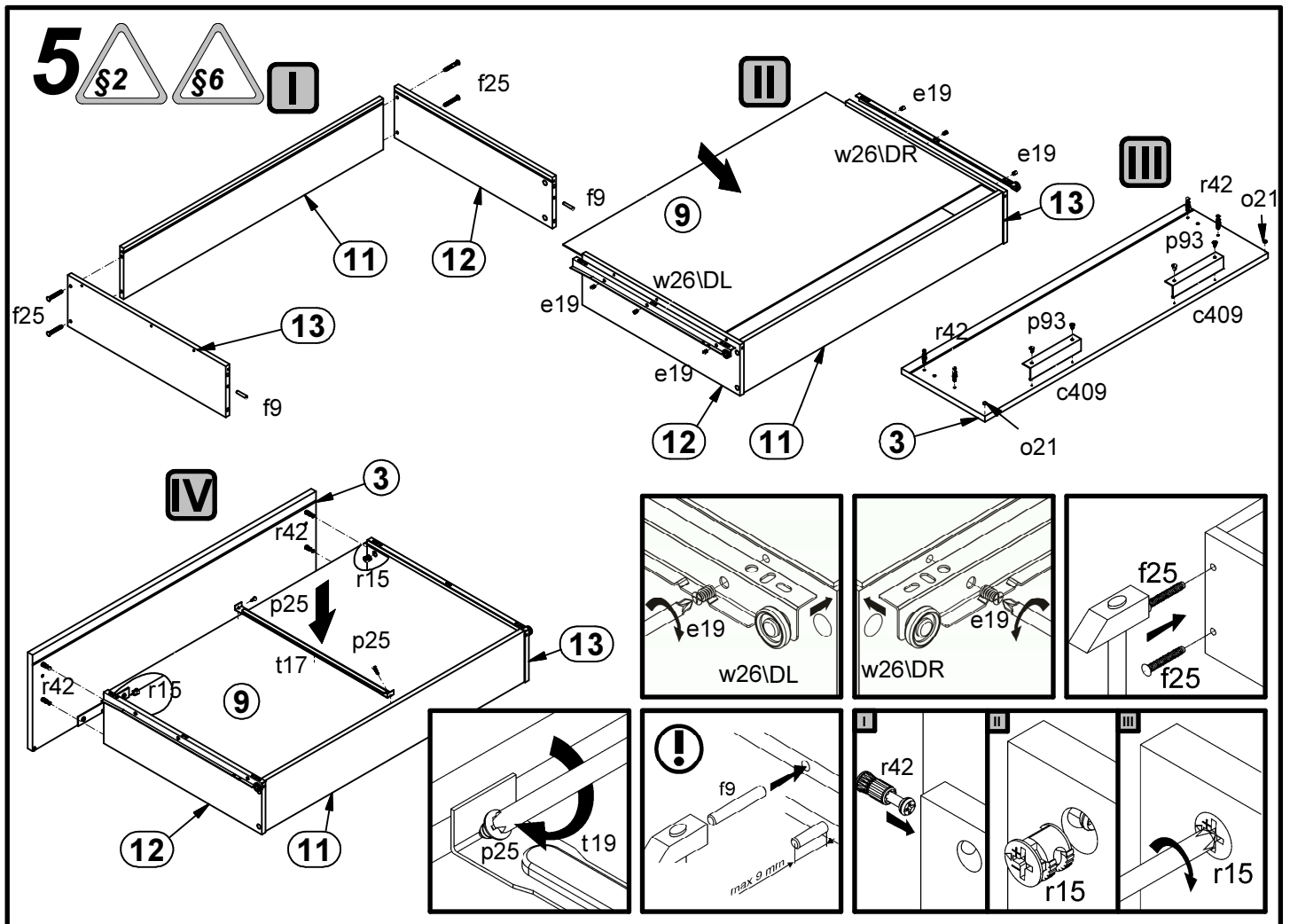


A	B	C	D
1	S383-0001	1626	446 3/4
2	S383-0002	1626	446 3/4
3	S383-0003	897	264 4/4
4	S383-1001	1904	540 1/4
5	S383-1002	1904	540 1/4
6	S383-2001	902	558 2/4
7	S383-2002	902	558 2/4
8	S383-3001	871	540 2/4
9	S383-9002	832	498 2/4
10	S383-9301	1929	895 1/4
11	ZS4-5502	822	140 2/4
12	ZS6-503	500	140 2/4
13	ZS6-504	500	140 2/4
14	dr-865	865	22 2/4



8x a44	8x b19	3x 128mm c409	6x Ø7x50 mm e1	6x Ø5x9 mm e19	14x Ø6x13 mm e3	12x Ø8x30 mm f1	4x Ø6,5x40 mm f25	2x Ø6x30 mm f9
4x k82\1	4x k82\2	65x l1	2x h=22mm n1	1x 40x46x30/1,5 n25	6x silikon o21	2x Ø3,5x13 mm p1	2x Ø3,5x16 mm p25	2x Ø3,5x13 mm p27
6x Ø4x13 mm p93	12x Ø15x12 mm #16 r1	4x Ø12x10,5 mm #12 r15	16x 20\11 r42	1x 483 mm t17	1x 500 mm w26\CL	1x 500 mm w26\CR	1x 500 mm w26\DL	16x Ø3,5x15 mm p51
1x 500 mm w26\DR	6x Ø16 s2	1x 4 mm z1				1x n26\1	1x Ø3,5x16 mm p38	





7

