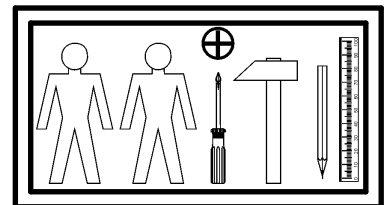
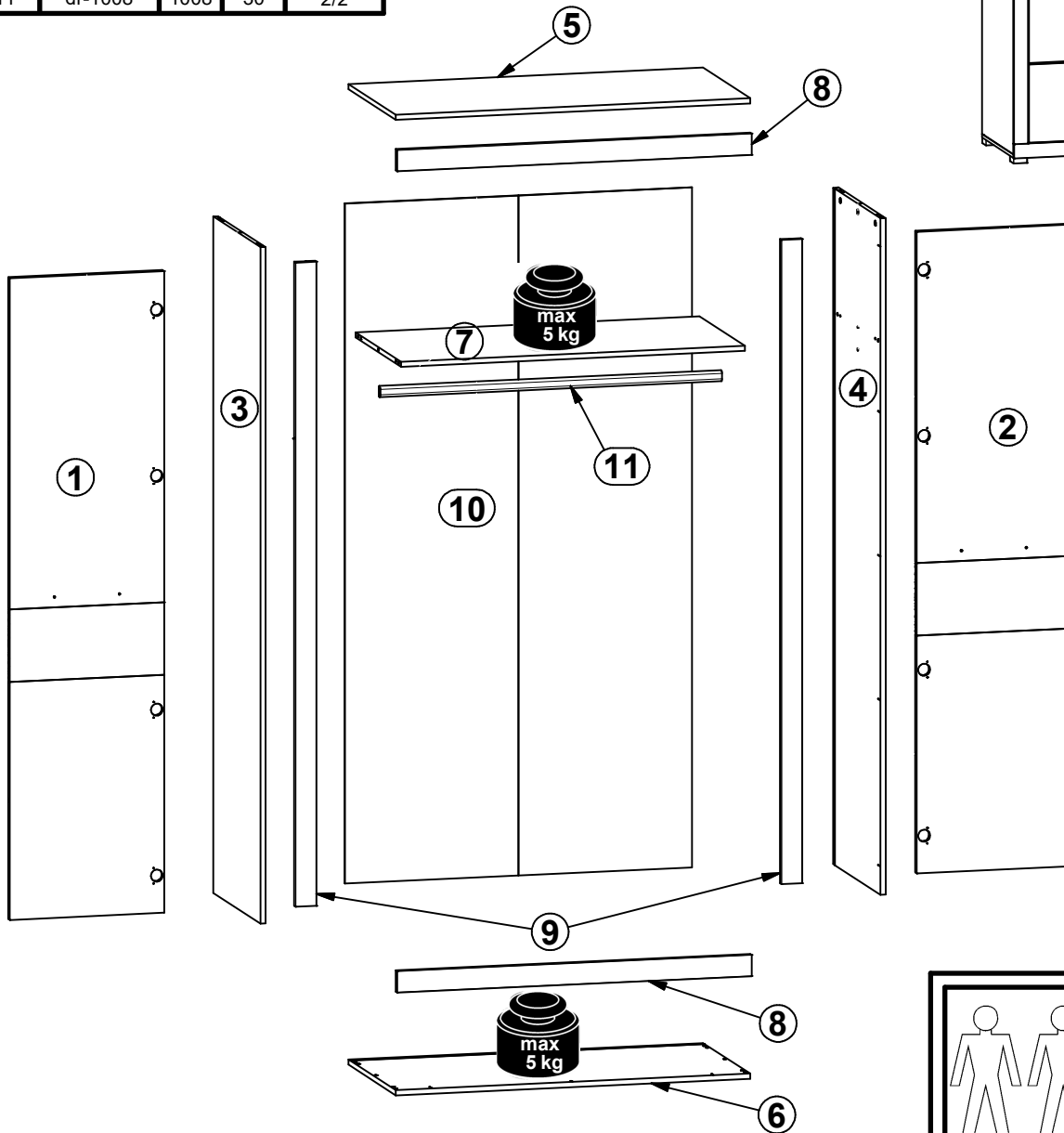
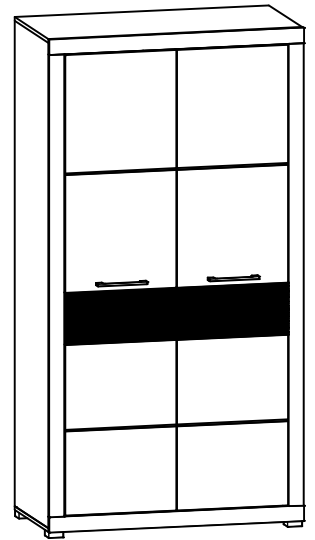
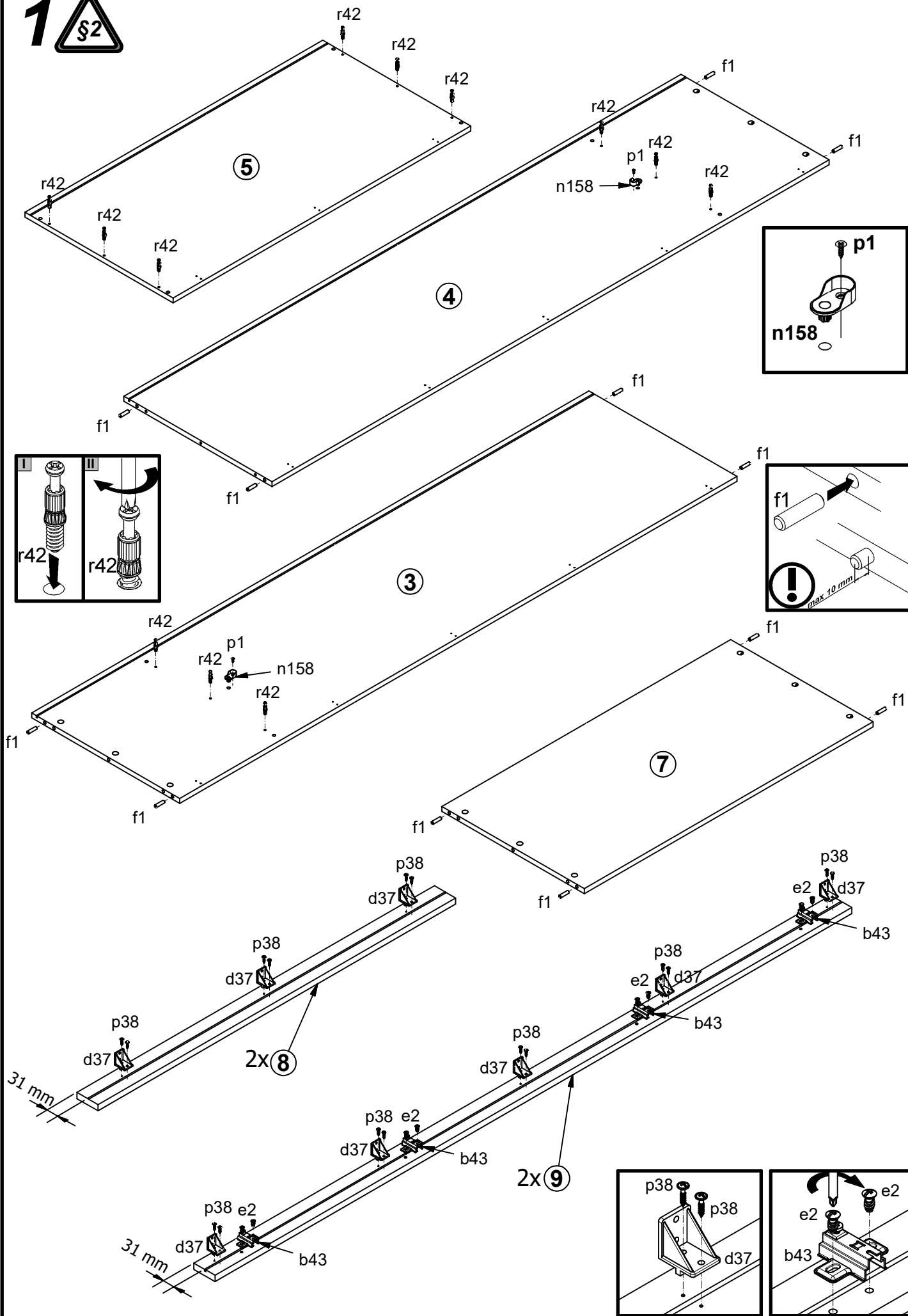


A	B	C	D	
1	S428-0009	456	1856	2/2
2	S428-0010	456	1856	2/2
3	S428-1011	1956	520	1/2
4	S428-1012	1956	520	1/2
5	S428-2007	1045	520	1/2
6	S428-2008	1045	520	1/2
7	S428-3003	1014	500	2/2
8	S428-5001	1046	62	2/2
9	S428-5008	1863	62	2/2
10	S428-9303	1966	1024	1/2
11	dr-1008	1008	30	2/2

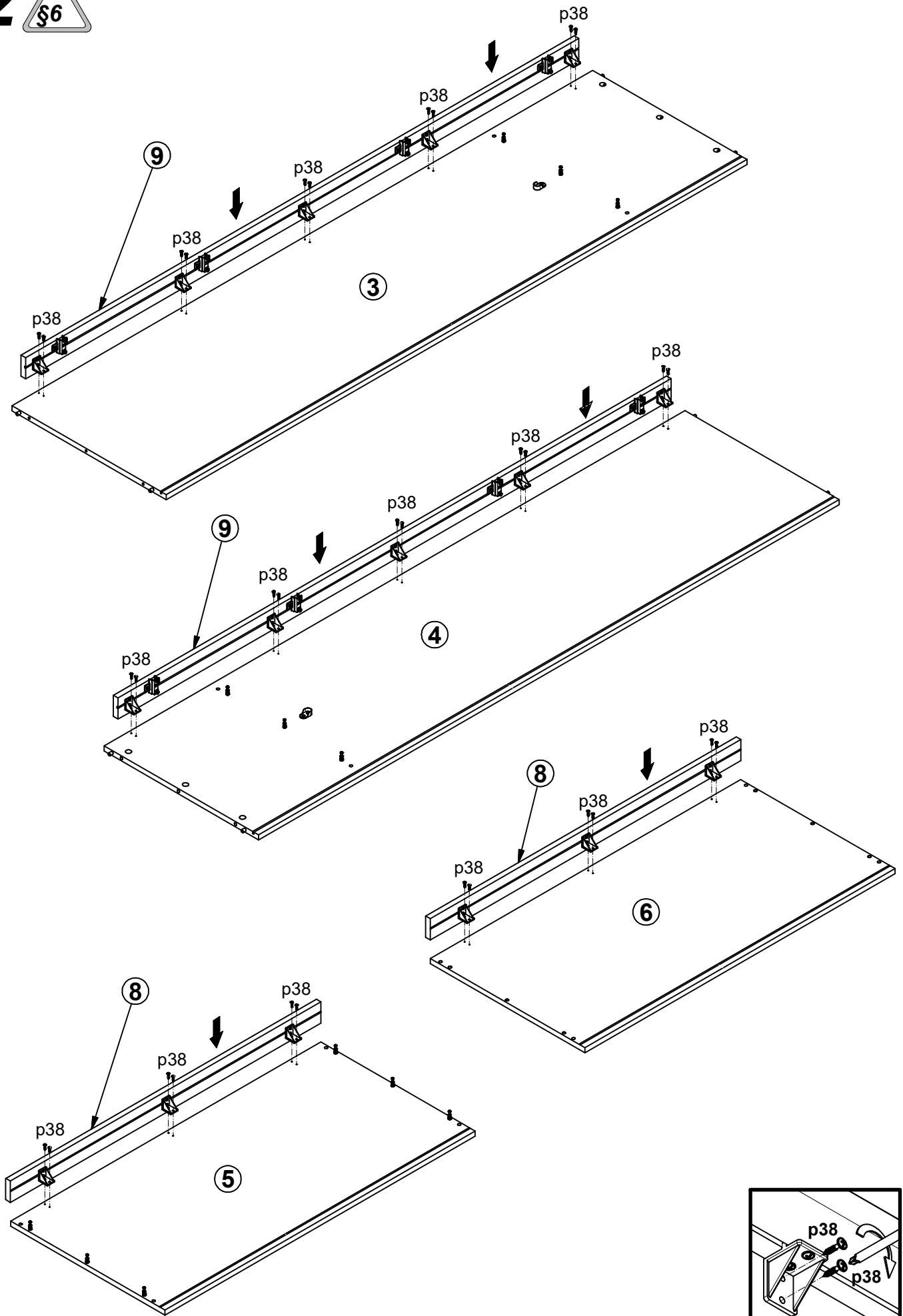


8x  a132	4x  a133	8x  b43	2x  192 mm c306	16x  d37	6x  Ø7x50 mm e1	16x  Ø6,3x13 mm e2	12x  Ø8x30 mm f1	4x  M4x22 mm j30		
4x  60x60/25 mm k55	10x  1,4x20 mm l1	14x  l2	2x  n158	2x  Ø3,5x13 mm p1	8x  Ø4x35 mm p6	64x  Ø3,5x16 mm p38	16x  Ø3,5x15 mm p51	12x  Ø15x12 mm #16 r1		
12x  20/11 r42	12x  Ø 20mm s68	1x  4 mm z1							1x  n26	1x  Ø3,5x16 mm p38

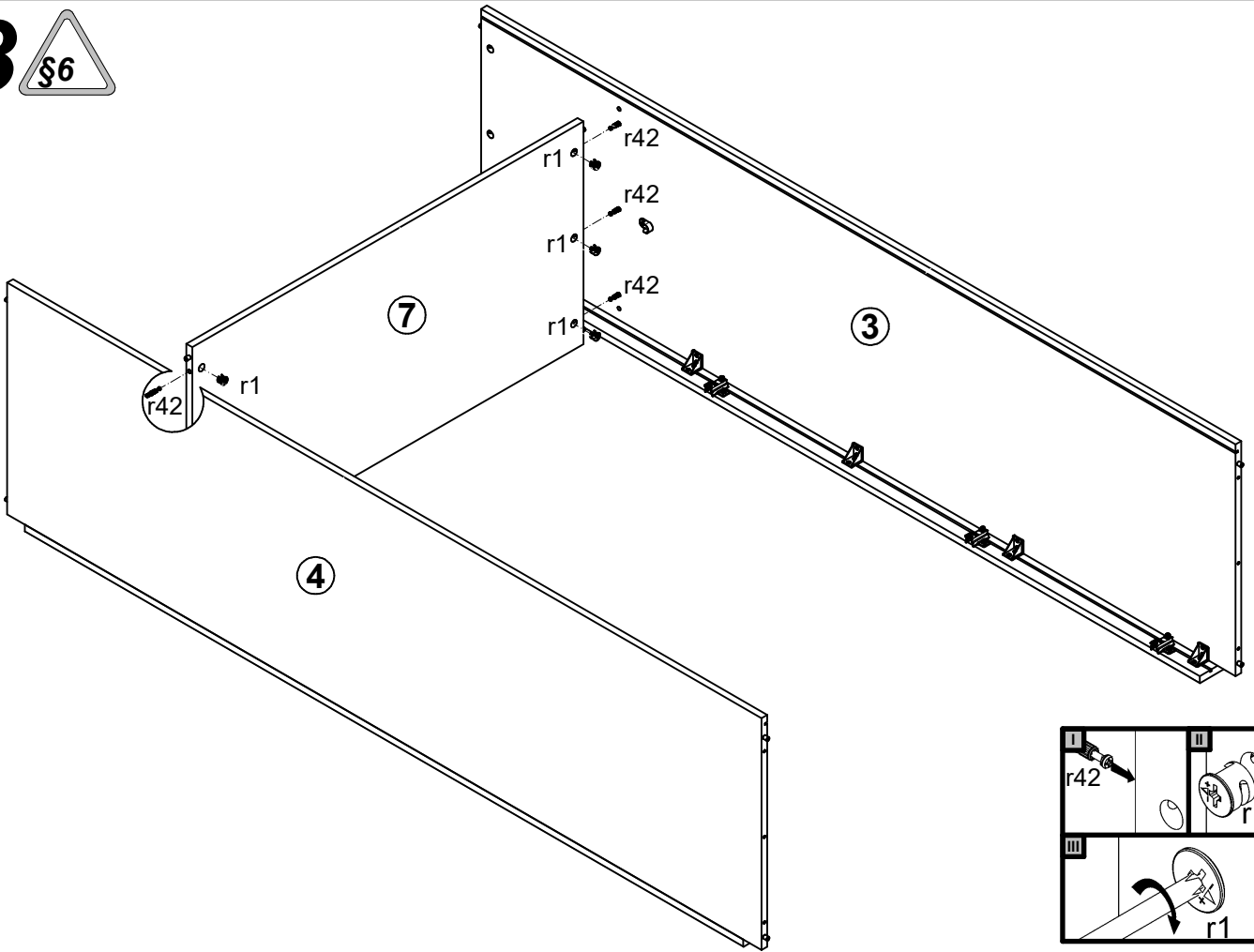
1 §2



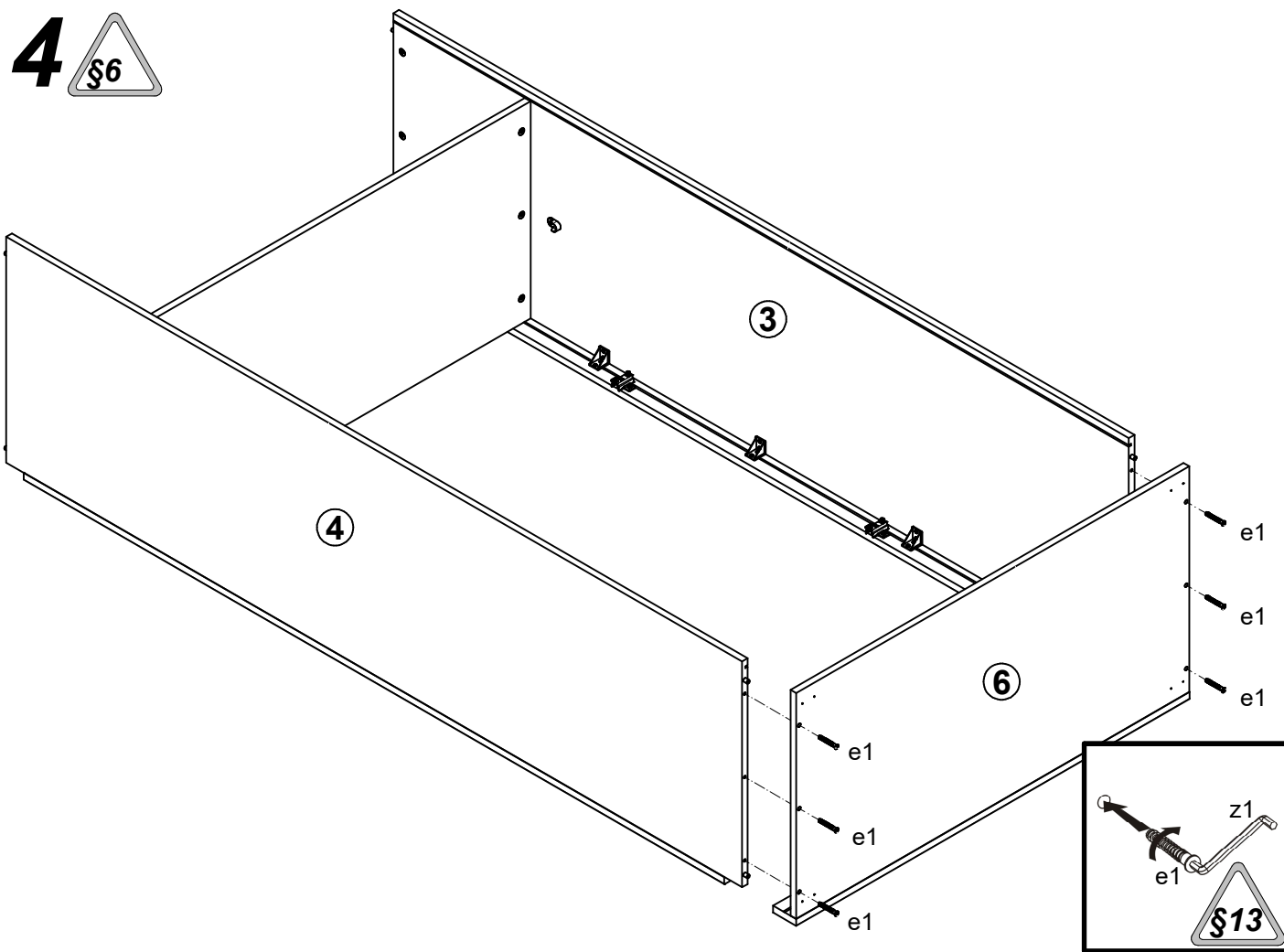
# 2



**3** §6

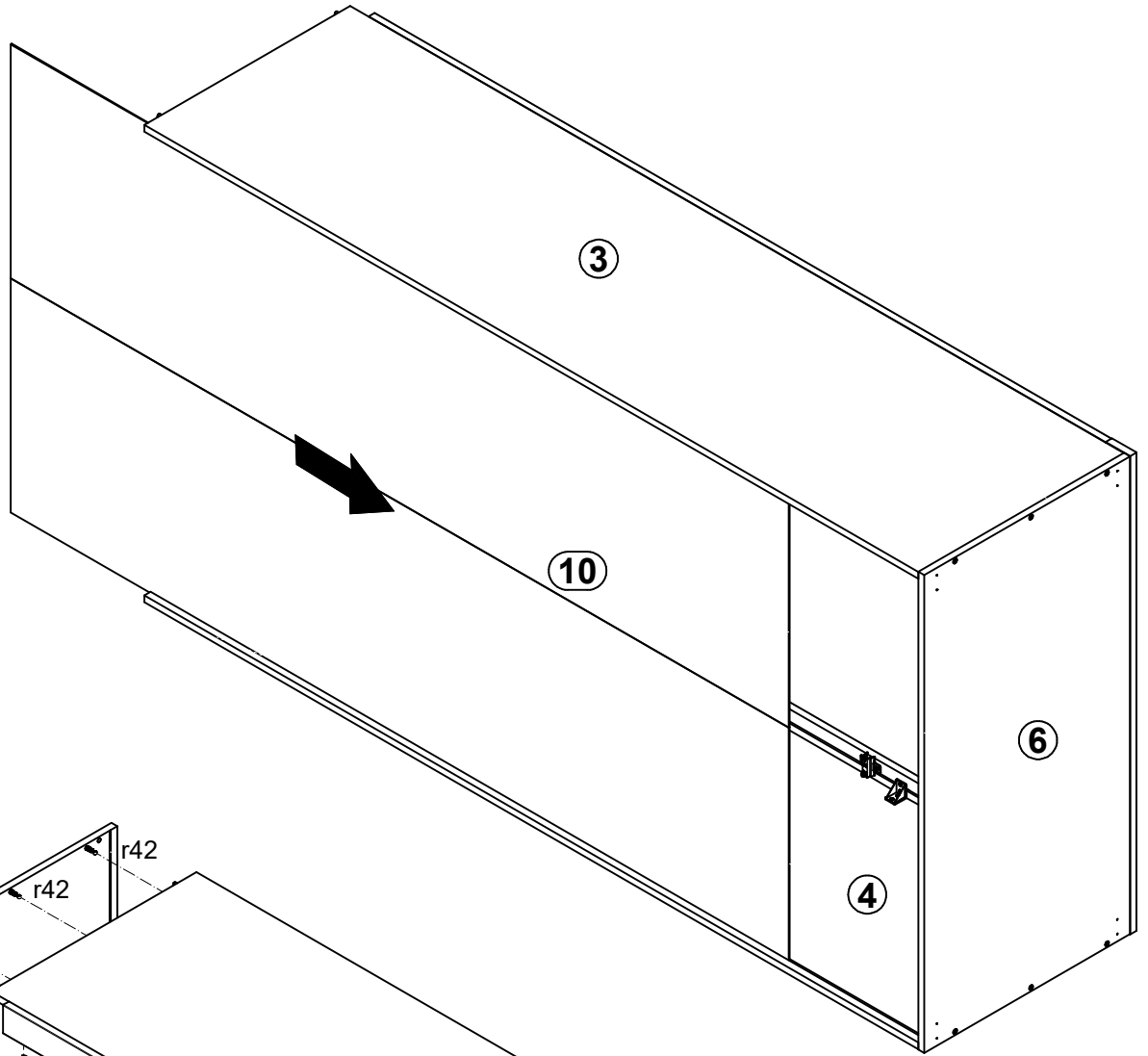


**4** §6

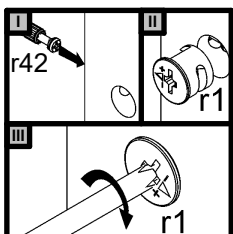
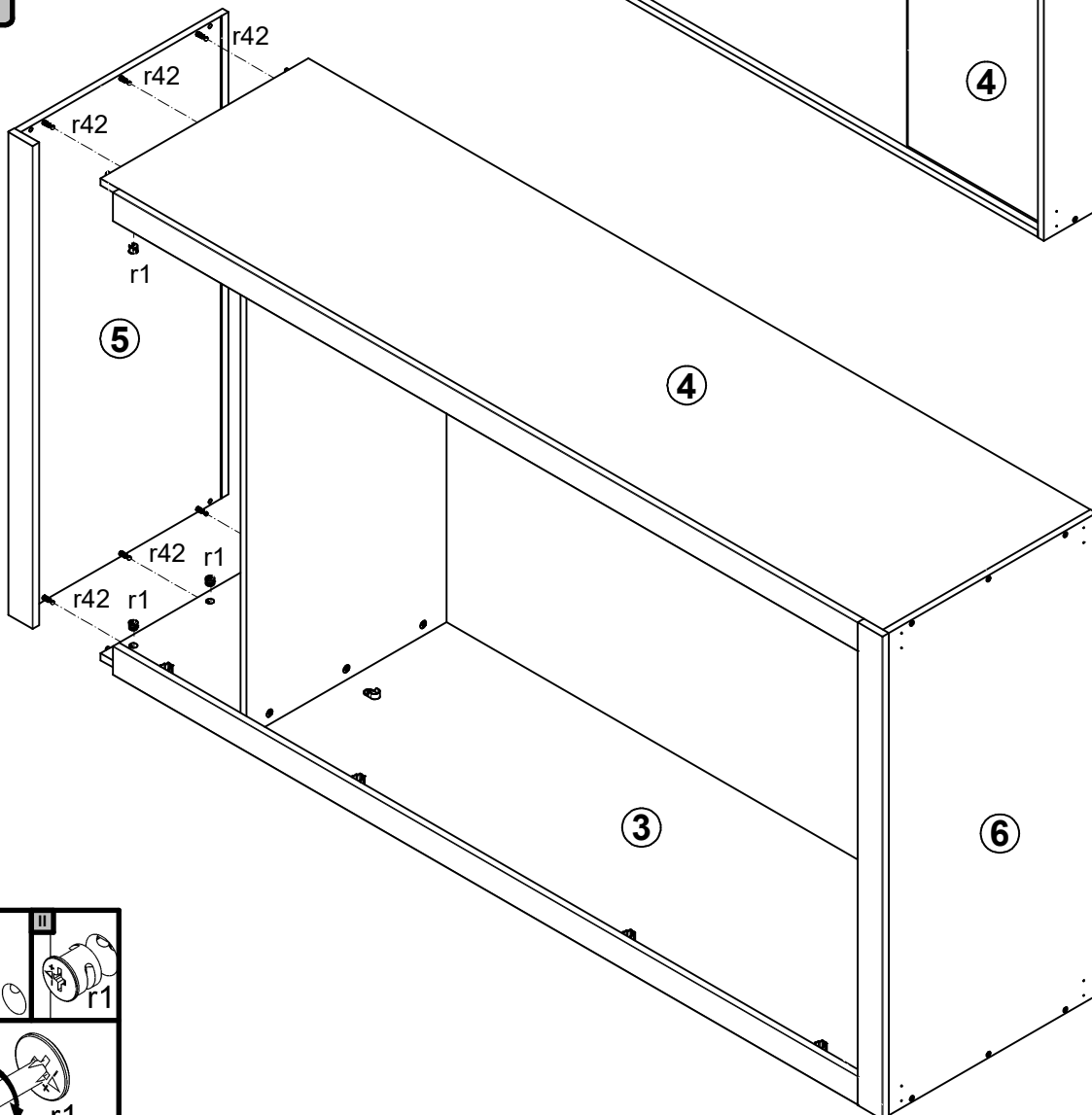


5 

I



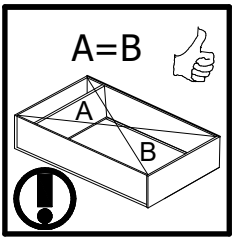
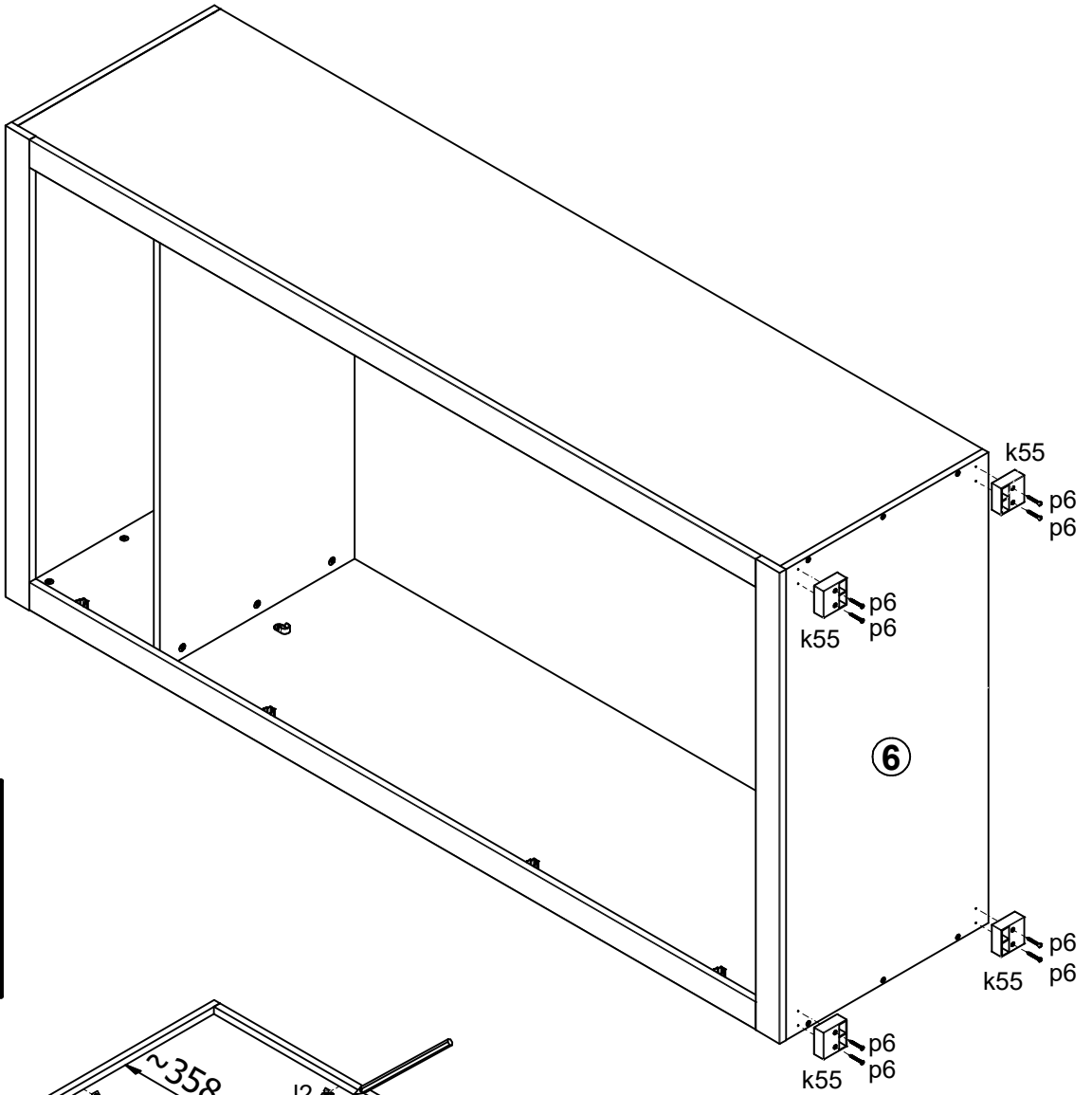
II



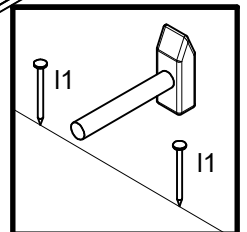
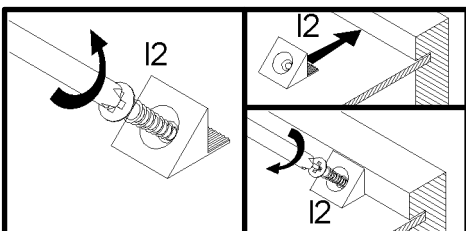
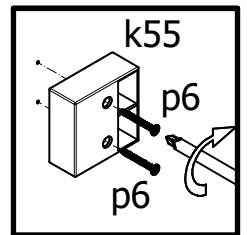
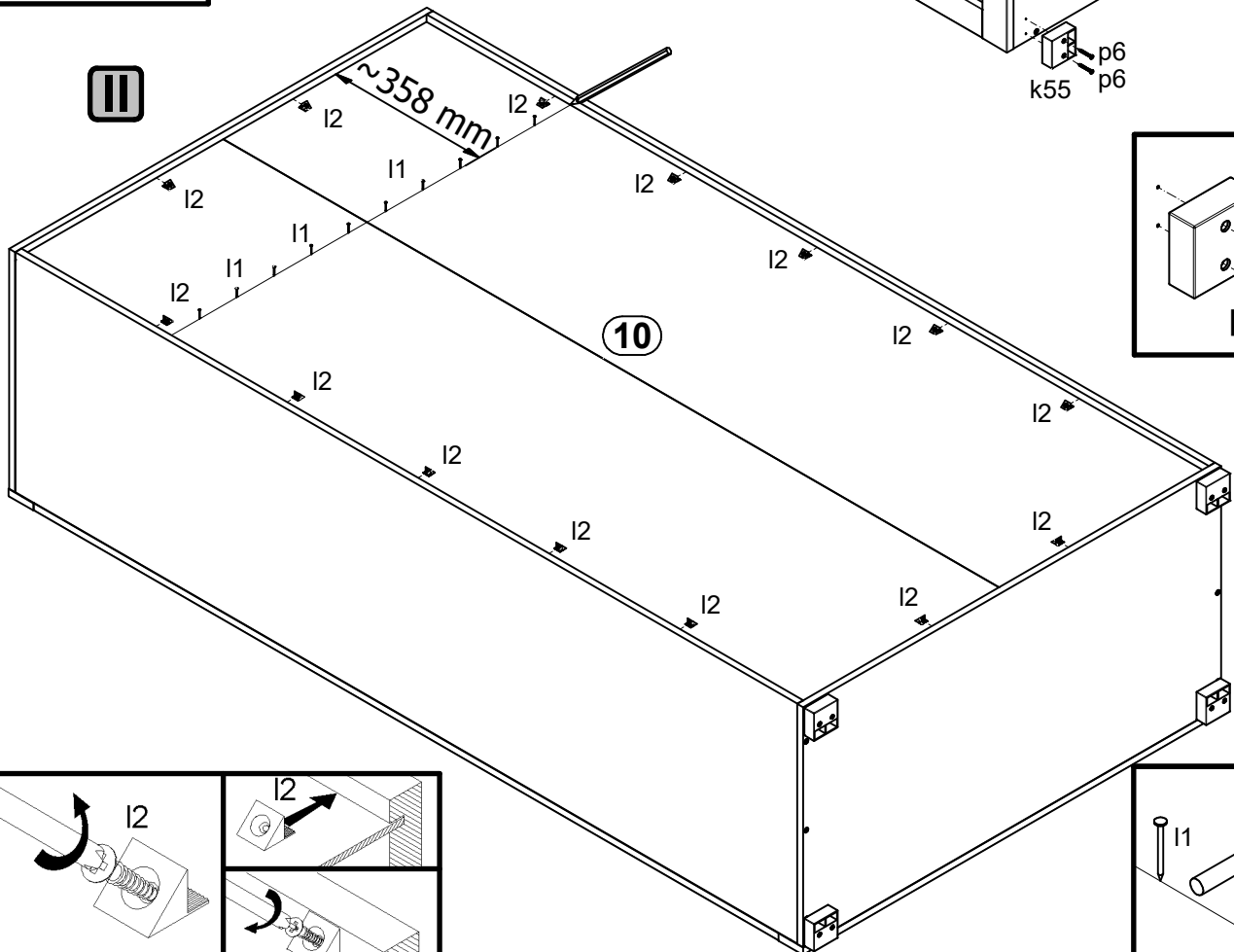
# 6



## I



## II



7 §6

