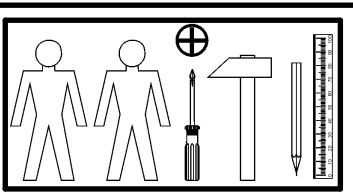
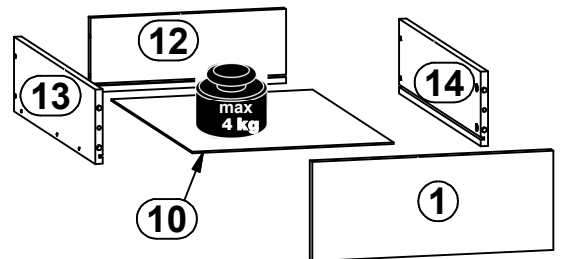
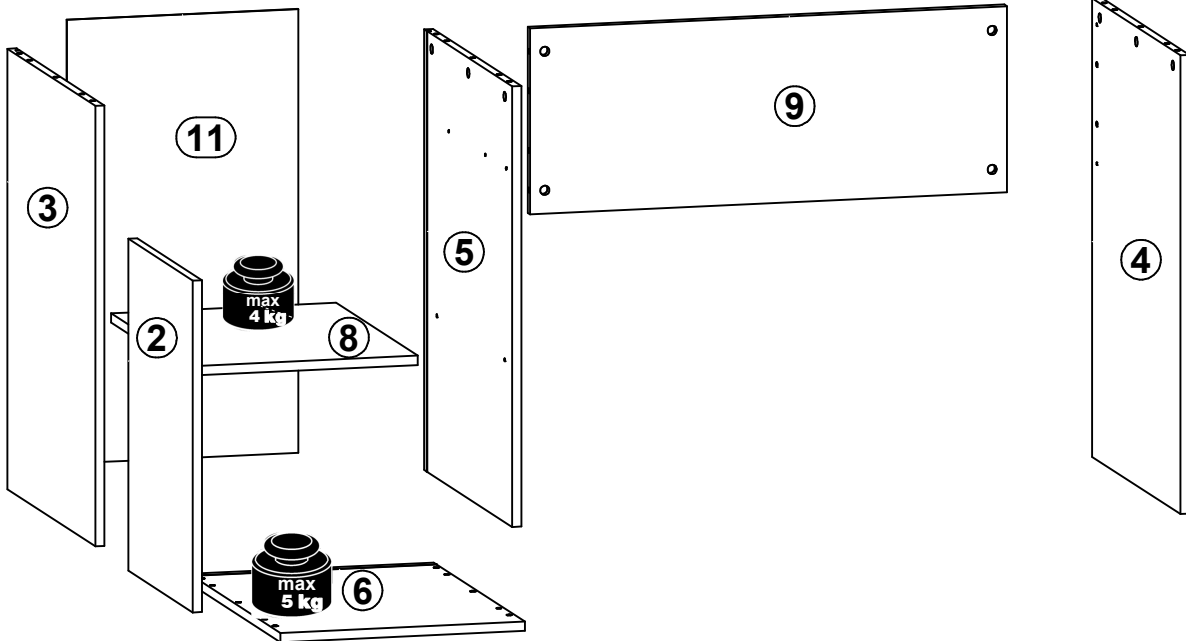
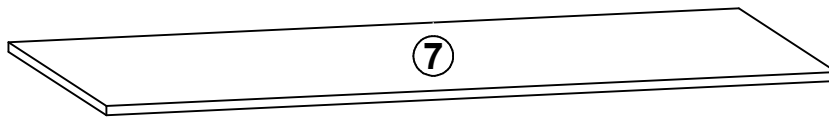
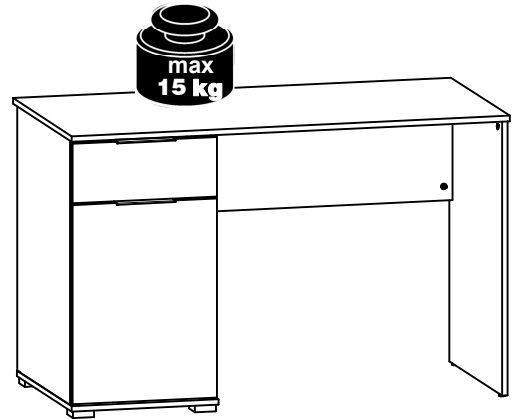
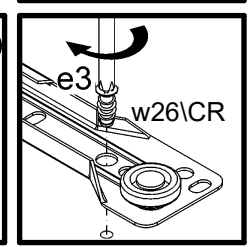
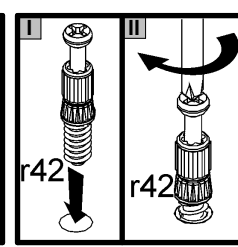
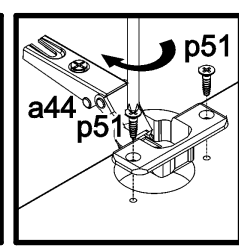
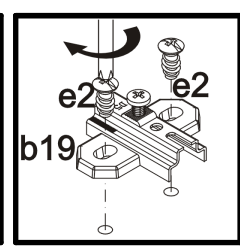
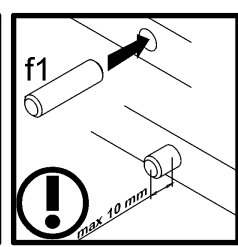
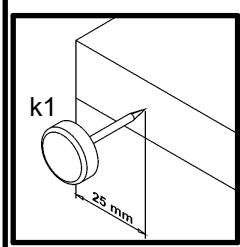
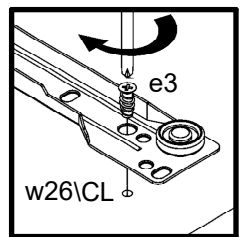
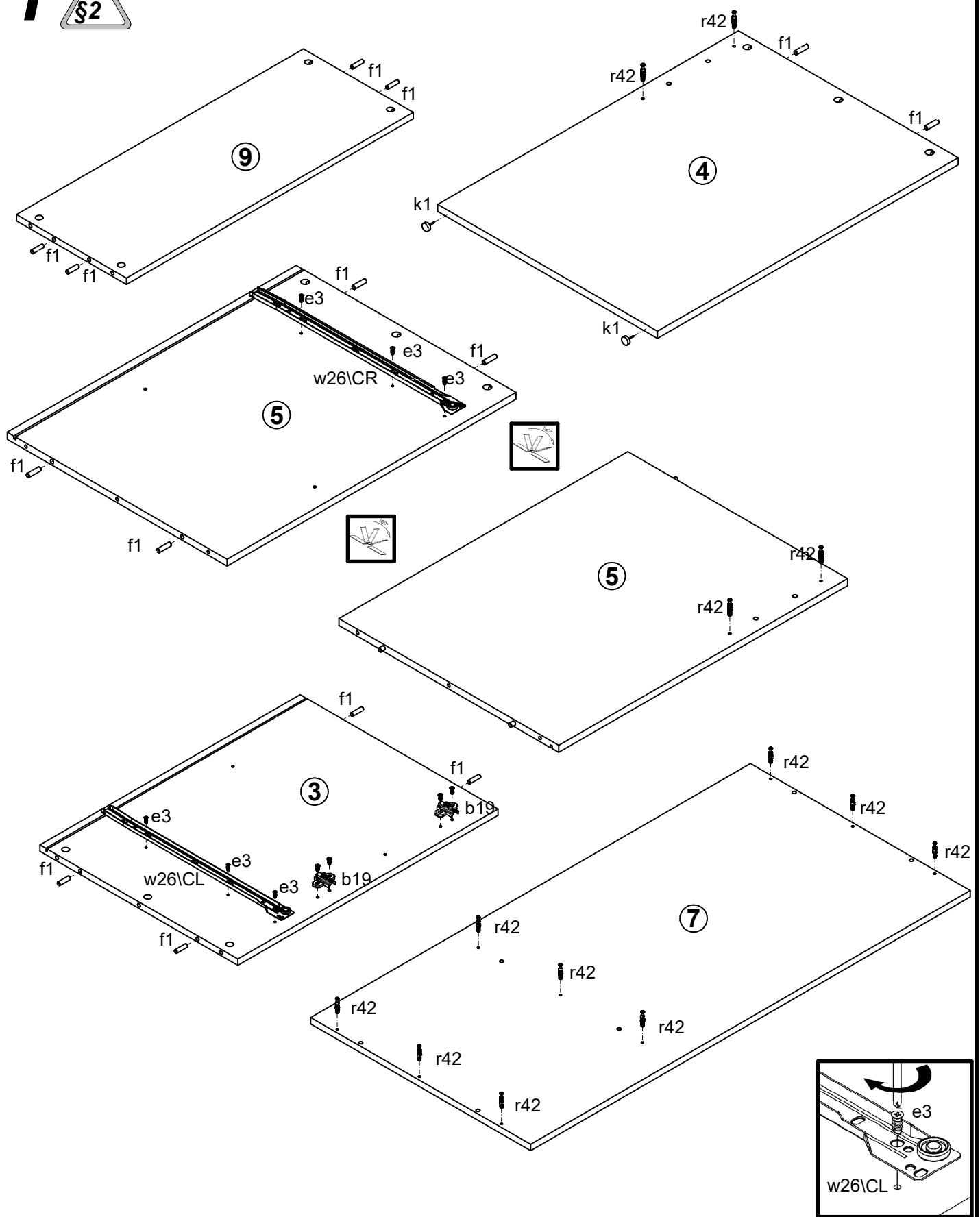


A	B	C	D	
1	S383-0014	160	396	3/3
2	S383-0015	535	396	3/3
3	S383-1019	710	540	1/3
4	S383-1020	739	540	1/3
5	S383-1021	710	540	1/3
6	S383-2015	402	559	2/3
7	S383-2016	1200	600	2/3
8	S383-3011	370	500	1/3
9	S383-4001	783	300	2/3
10	S383-9007	331	498	1/3
11	S383-9009	715	380	1/3
12	ZS4-5505	728	140	1/3
13	ZS6-505	500	120	1/3
14	ZS6-506	500	120	1/3

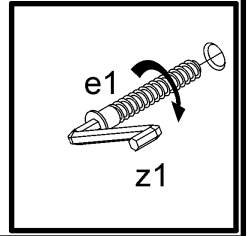
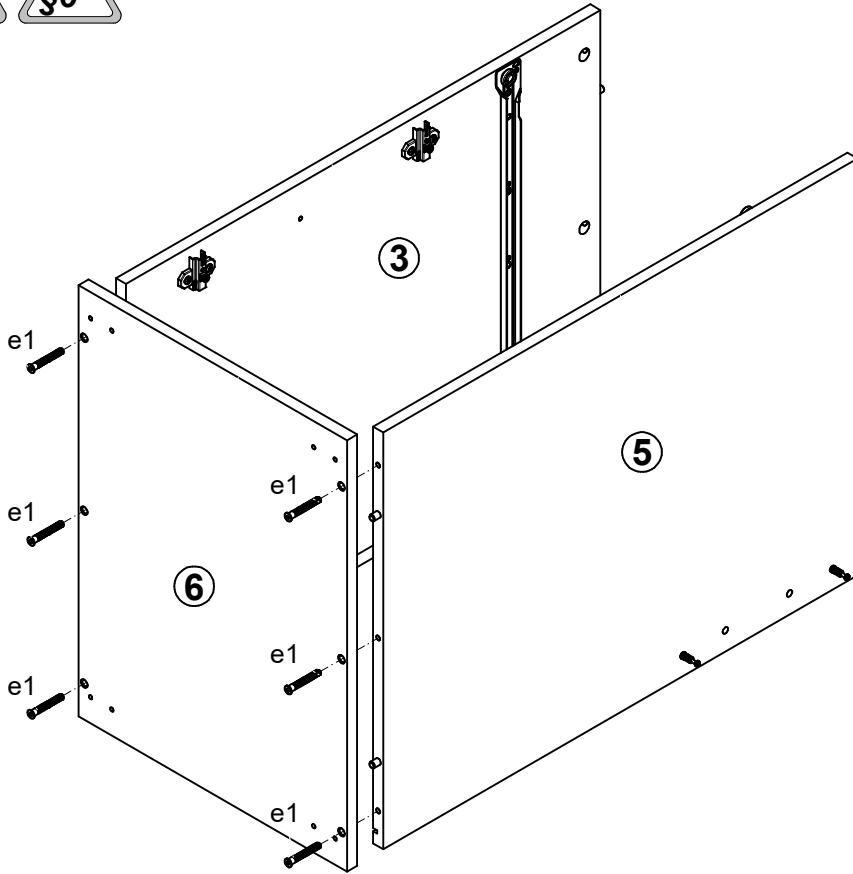


2x a44	2x b19	2x c409 128mm	4x d1 Ø5x17 mm	6x e1 Ø7x50 mm	6x e19 Ø5x9 mm	14x e3 Ø6x13 mm	14x f1 Ø8x30 mm	4x f25 Ø6,5x40 mm
2x f9 Ø6x30 mm	2x k1	4x k82\1	4x k82\2	8x l2	4x o21 silikon	4x p51 Ø3,5x15 mm	4x p93 Ø4x13 mm	13x r1 Ø15x12 mm #16
4x r15 Ø12x10,5 mm #12	17x r42 20\11	1x w26\CL 500 mm	1x w26\CR 500 mm	1x w26\DL 500 mm	1x w26\DR 500 mm	6x s2 Ø16	1x z1 4 mm	

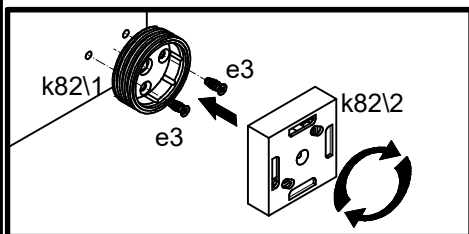
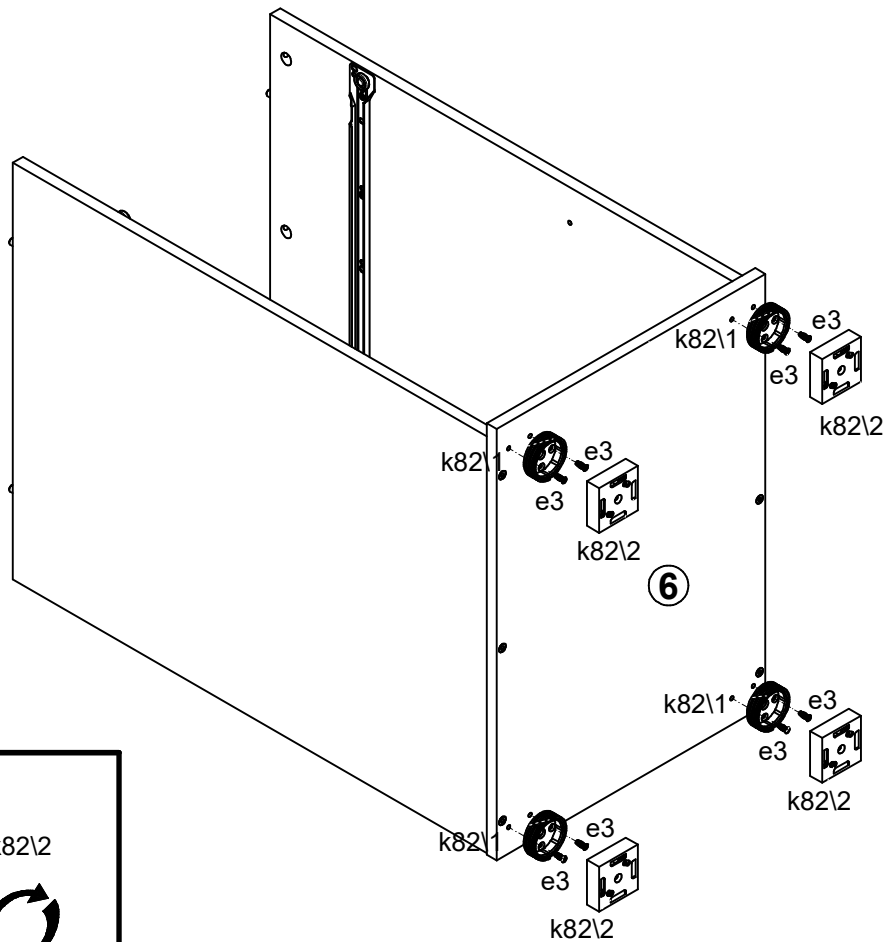
# 1



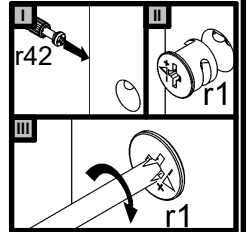
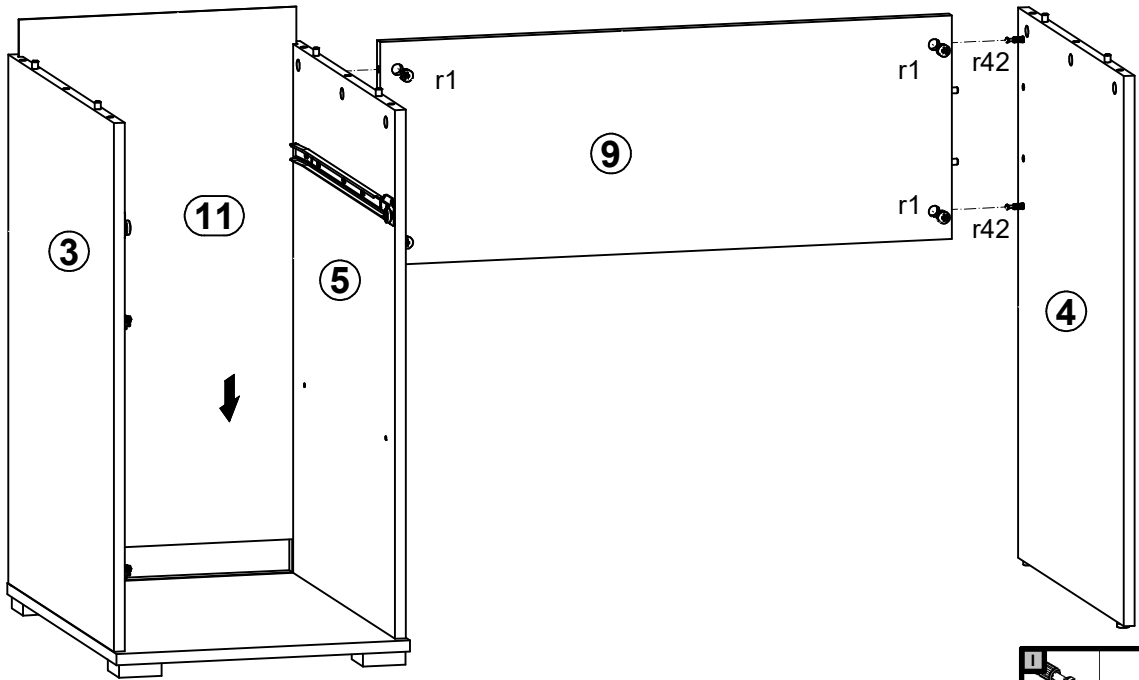
# 2



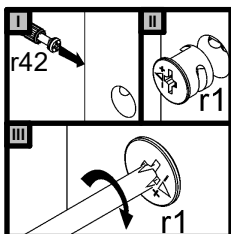
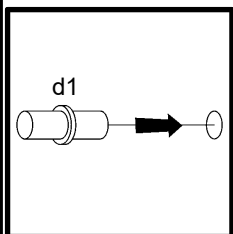
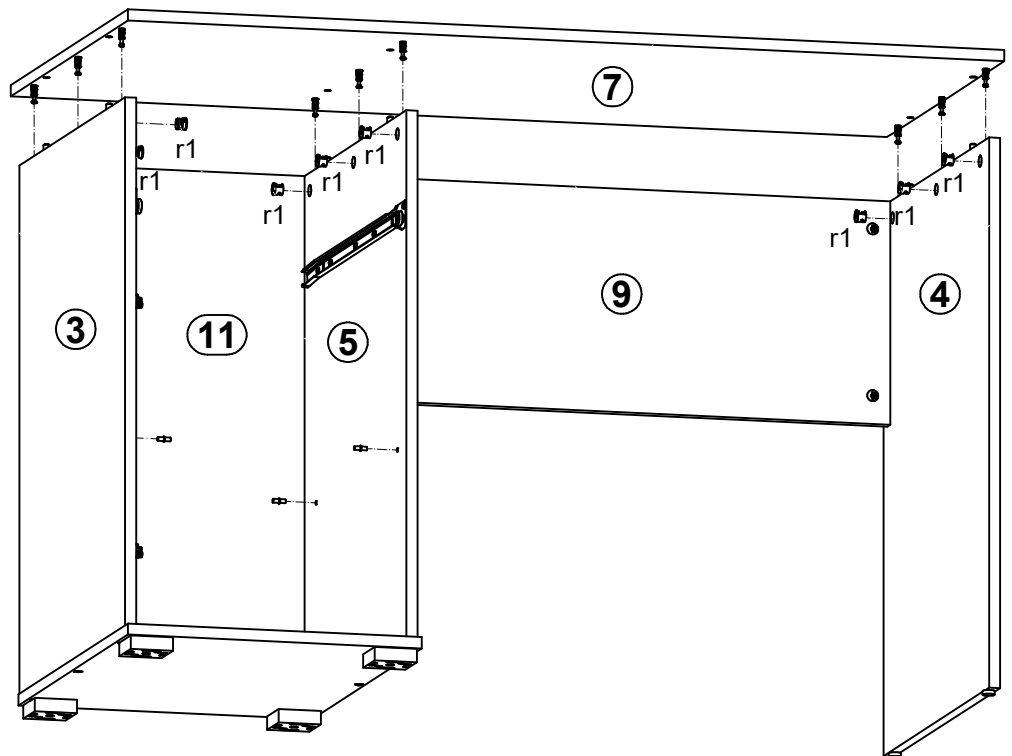
# 3



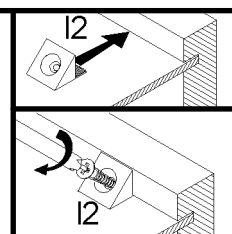
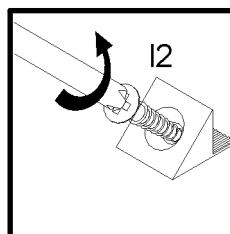
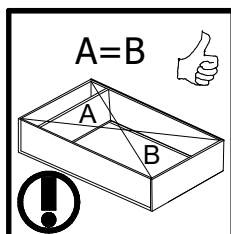
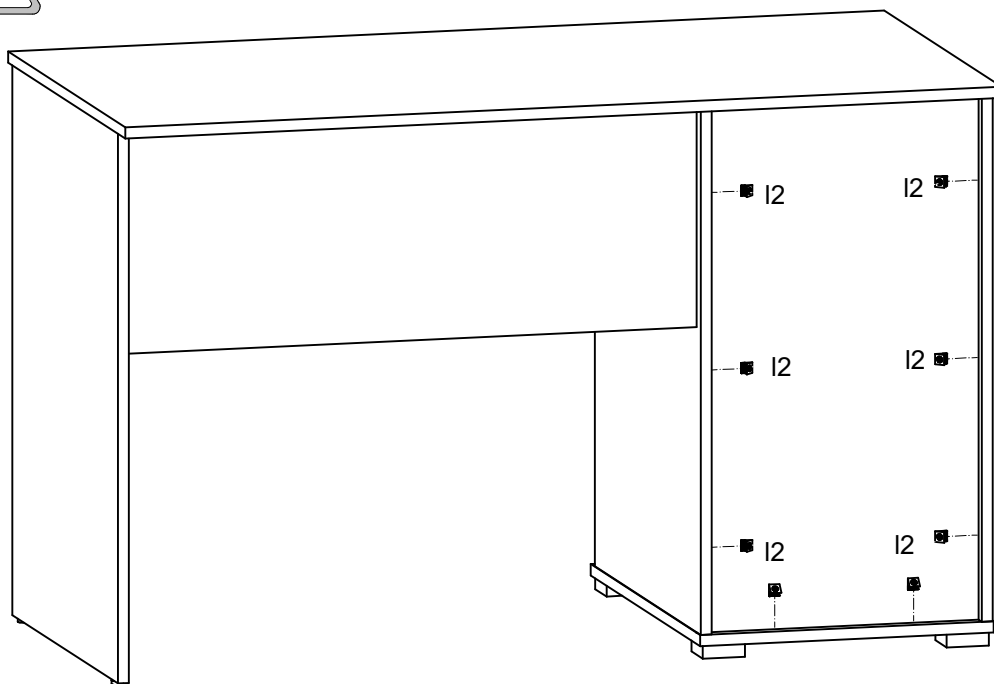
# 4



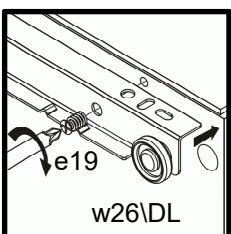
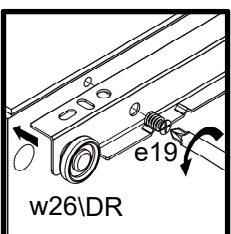
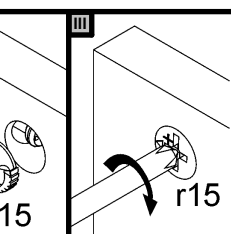
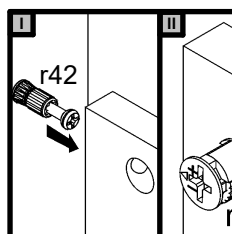
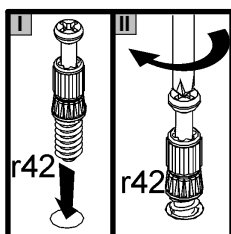
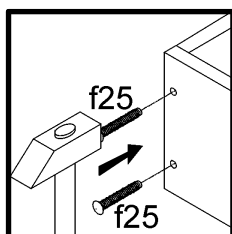
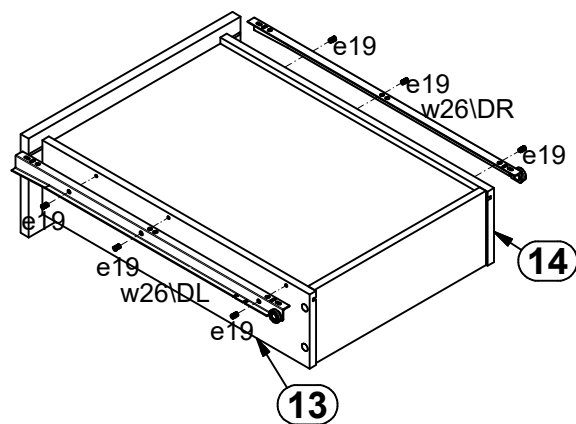
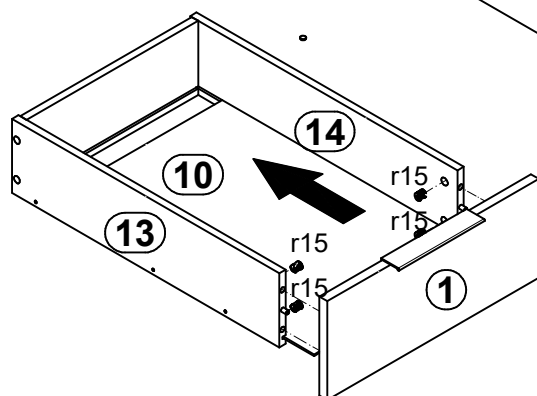
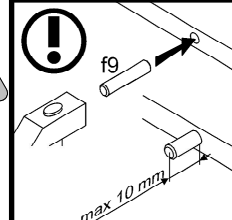
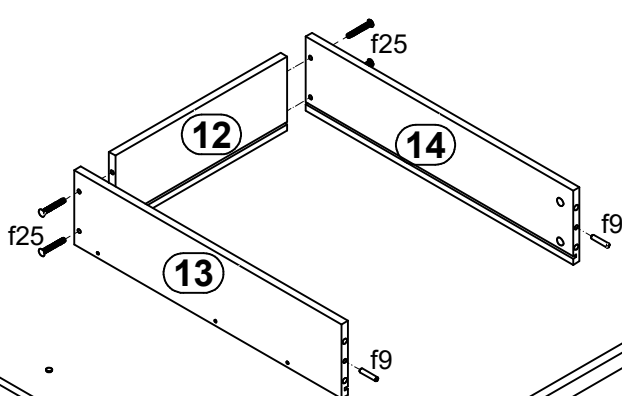
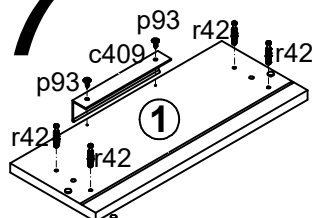
# 5



# 6



# 7



# 8

