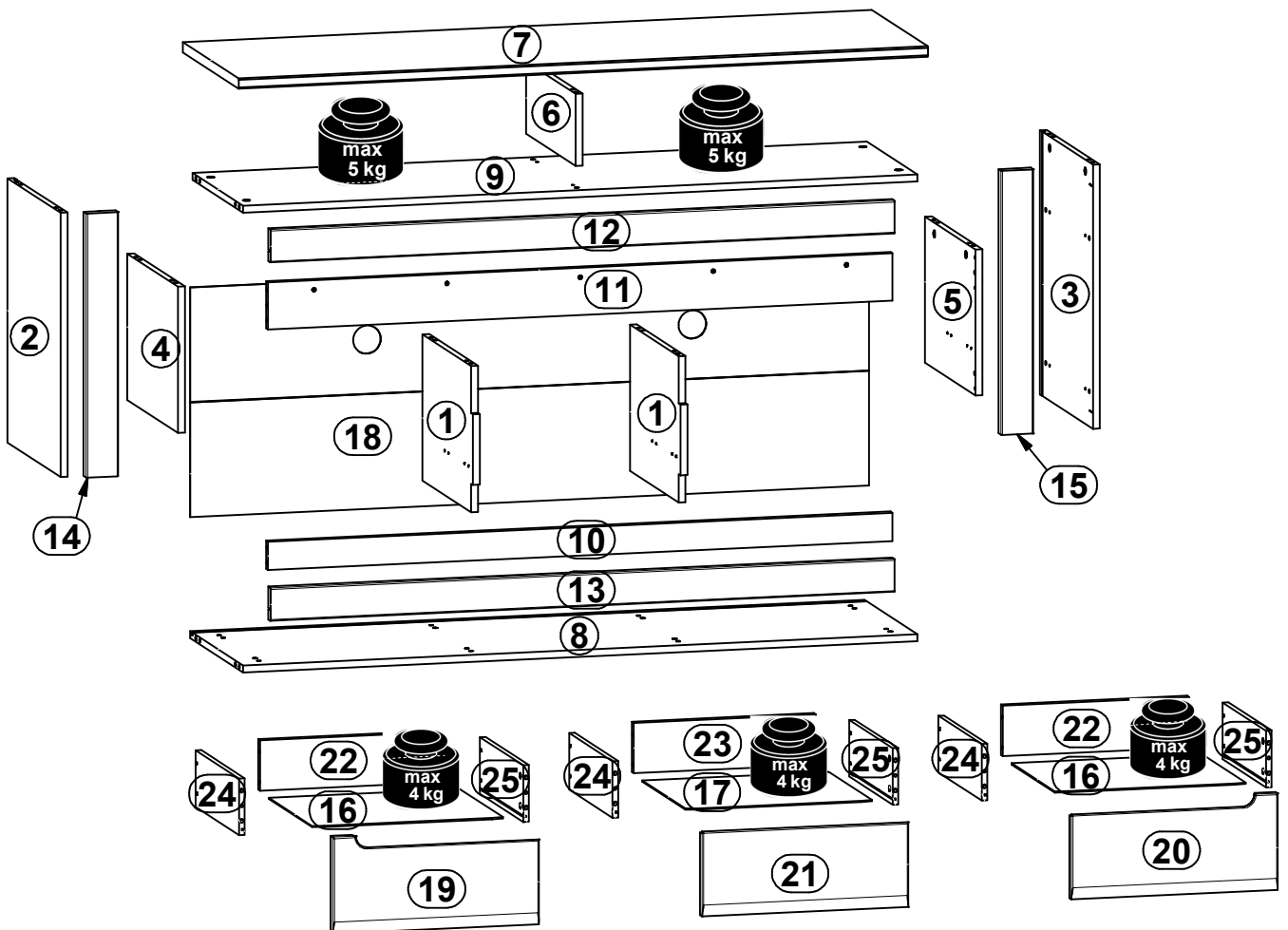
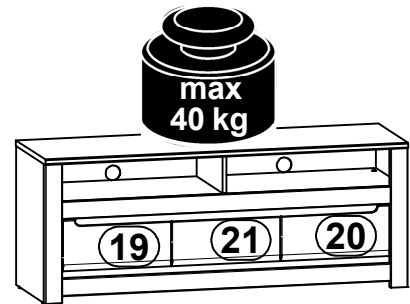
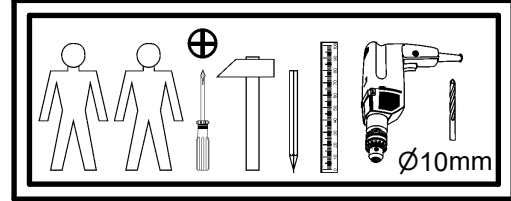
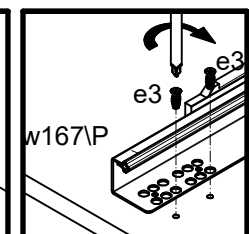
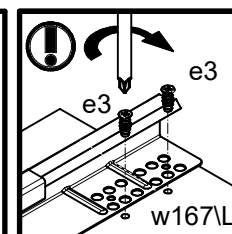
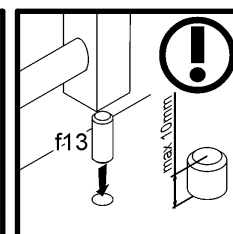
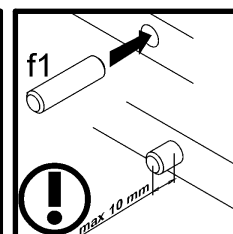
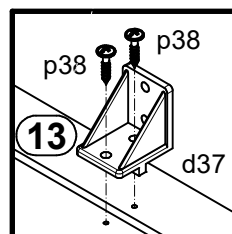
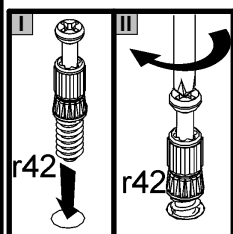
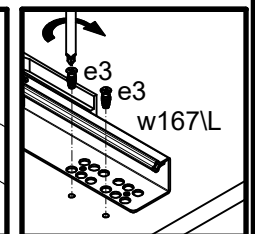
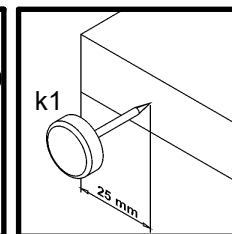
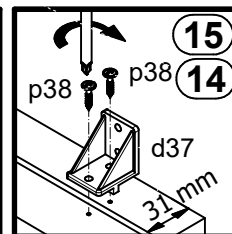
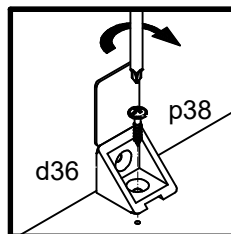
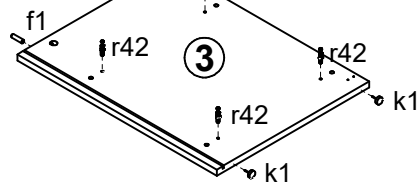
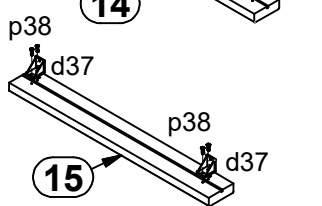
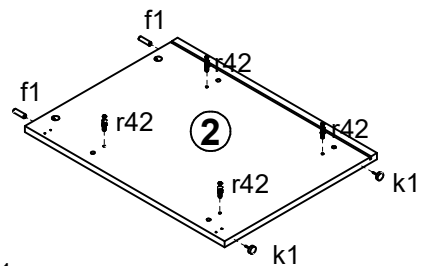
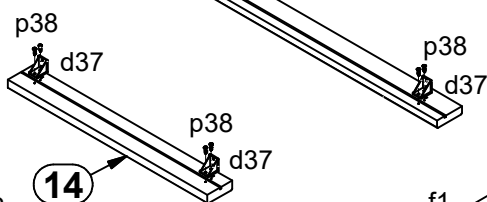
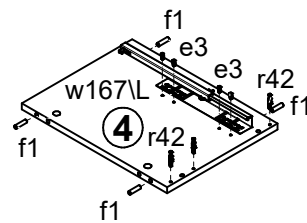
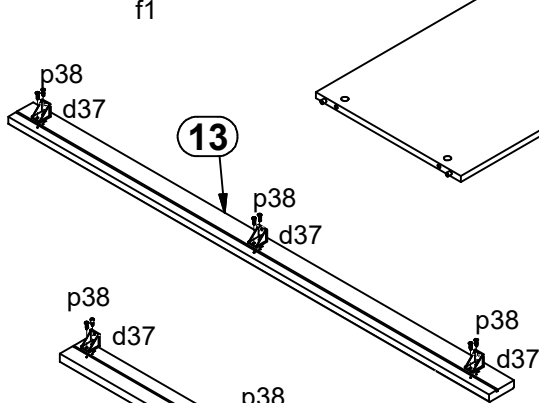
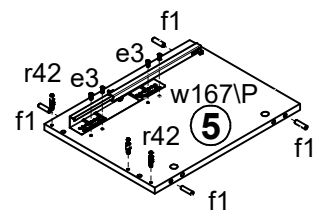
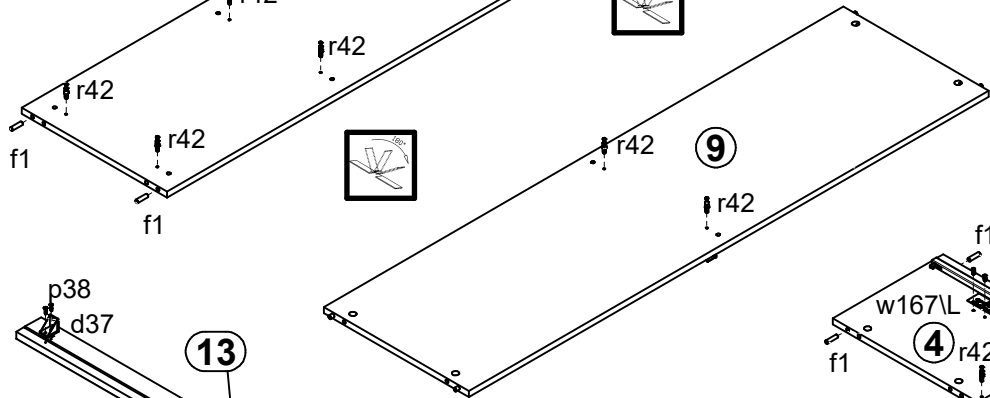
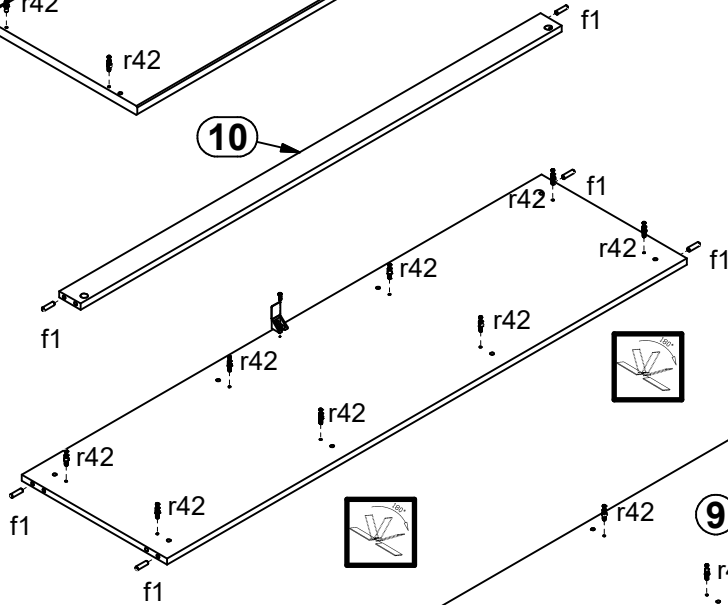
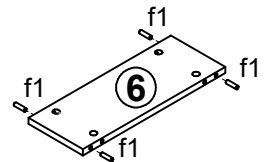
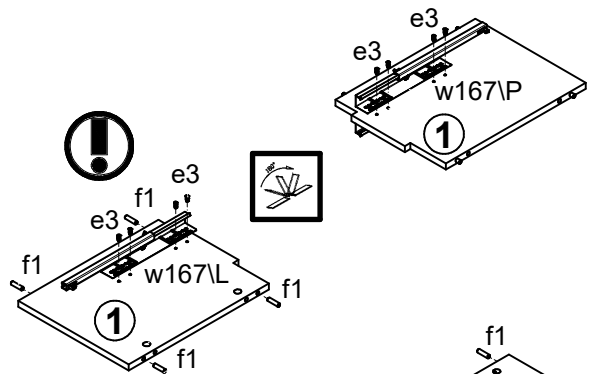
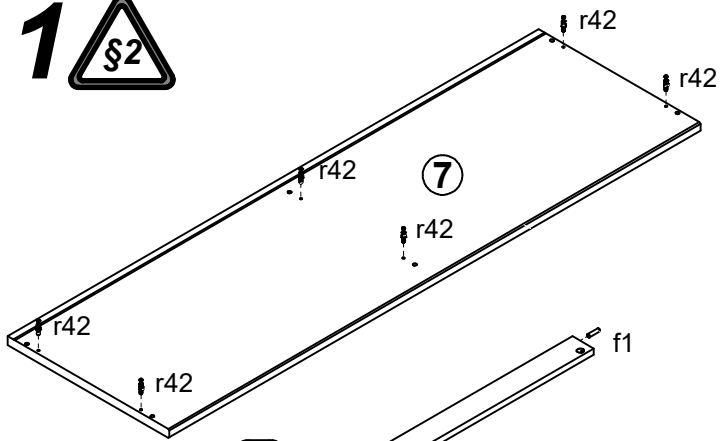


A	B	C	D	A	B	C	D
1	S404-1017	310	408	1/3	14	S404-5011	560 70 1/3
2	S404-1018	560	428	1/3	15	S404-5012	560 70 1/3
3	S404-1019	560	428	1/3	16	S404-9001	413 355 2/3
4	S404-1020	310	408	1/3	17	S404-9002	404 355 2/3
5	S404-1021	310	408	1/3	18	S404-9305	487 1469 2/3
6	S404-1022	153	400	1/3	19	S407-0017	446 205 3/3
7	S404-2005	1491	454	2/3	20	S407-0018	446 205 3/3
8	S404-3008	1459	428	2/3	21	S407-0019	446 180 3/3
9	S404-3009	1459	408	2/3	22	ZQ2-1563	403 107 1/3
10	S404-4006	1351	60	2/3	23	ZQ2-1564	394 107 1/3
11	S404-4007	1351	100	2/3	24	ZQ3-507	350 120 1/3
12	S404-5005	1350	70	2/3	25	ZQ3-508	350 120 1/3
13	S404-5006	1350	70	2/3			

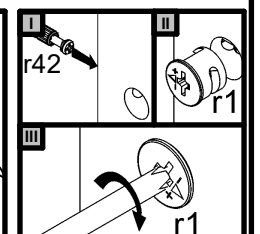
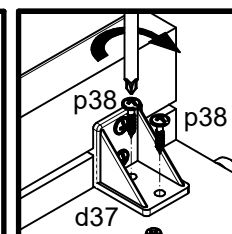
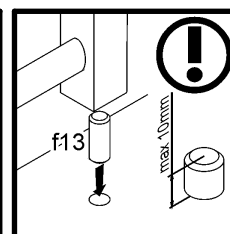
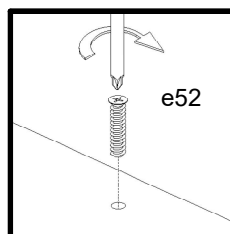
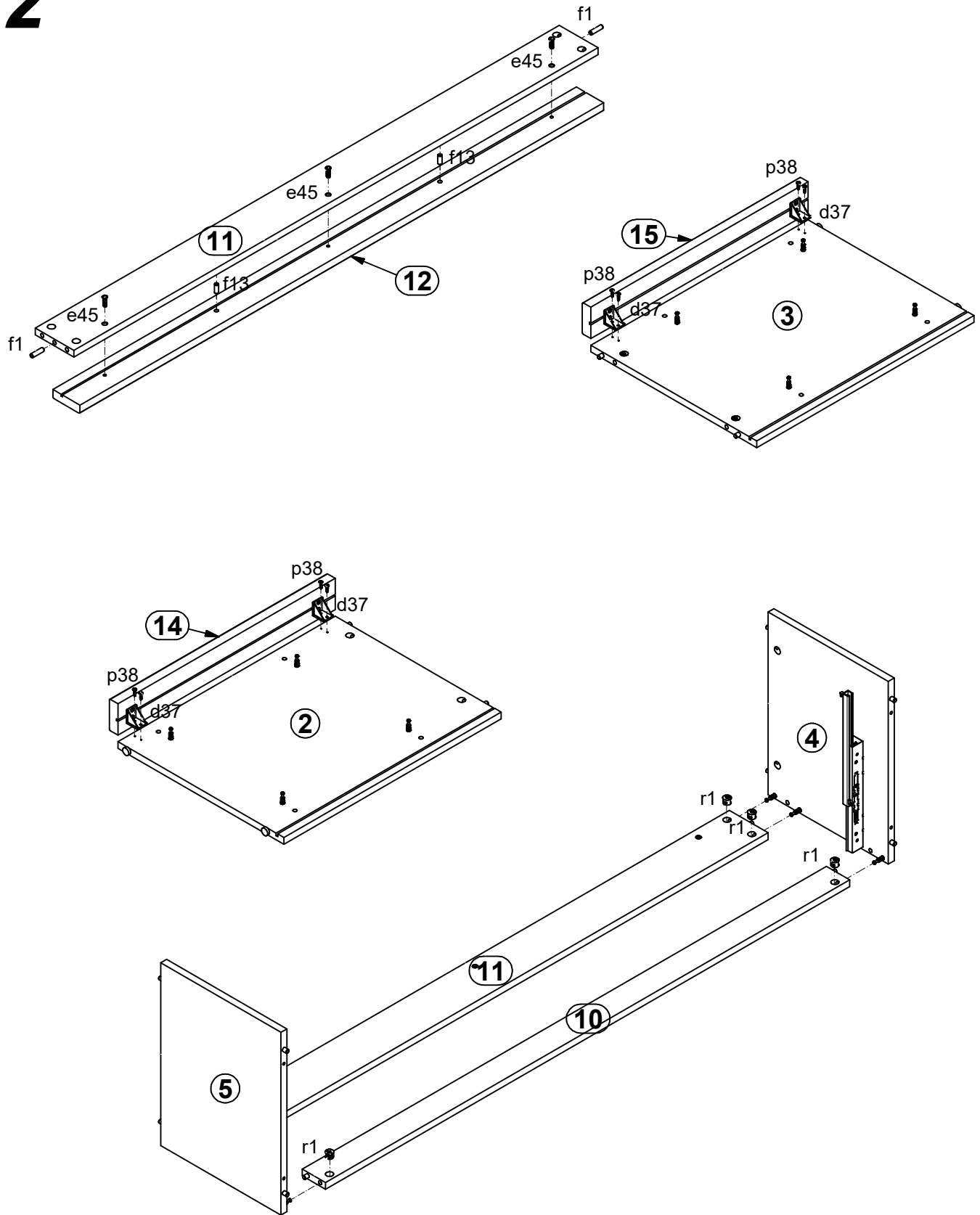


1x d36	7x d37	8x e1 Ø7x50 mm	2x e2 Ø6,3x13 mm	24x e3 Ø6x13 mm	3x e45 Ø7x24 mm	36x f1 Ø8x30 mm	6x f9 Ø6x30 mm	2x f13 Ø8x20 mm
12x f25 Ø6,5x40 mm	4x k1	2x k38/3 42,5x42,5/4 mm	2x k38/8 30x30/60 mm	20x l1 1,4x20 mm	14x l2	47x p38 Ø3,5x16 mm	6x p55 Ø2,9x16 mm	30x r1 Ø15x12 mm #16
12x r15 Ø12x10,5 mm #12	42x r42 20/11	12x s2 Ø16	3x w167/L 350mm	3x w167/P 350mm	1x z1 4 mm	1x n26/1	1x p38 Ø3,5x16 mm	

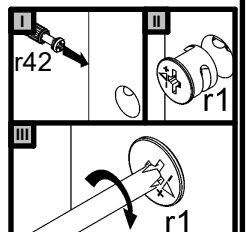
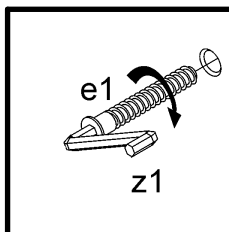
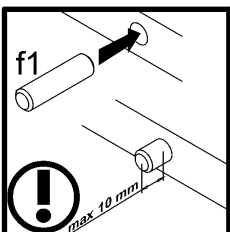
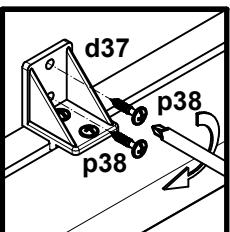
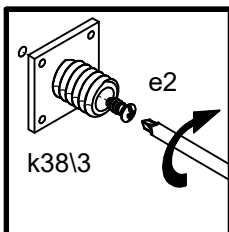
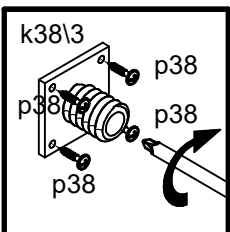
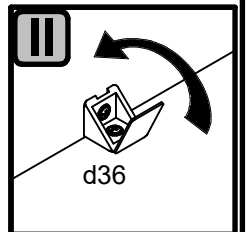
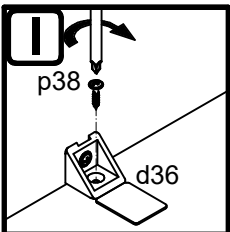
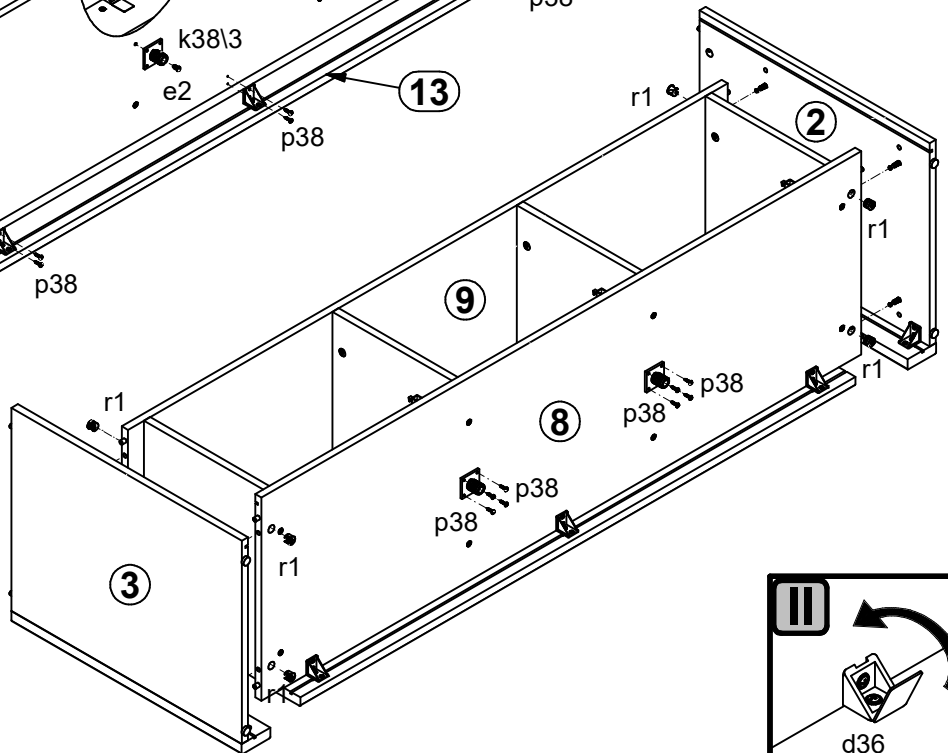
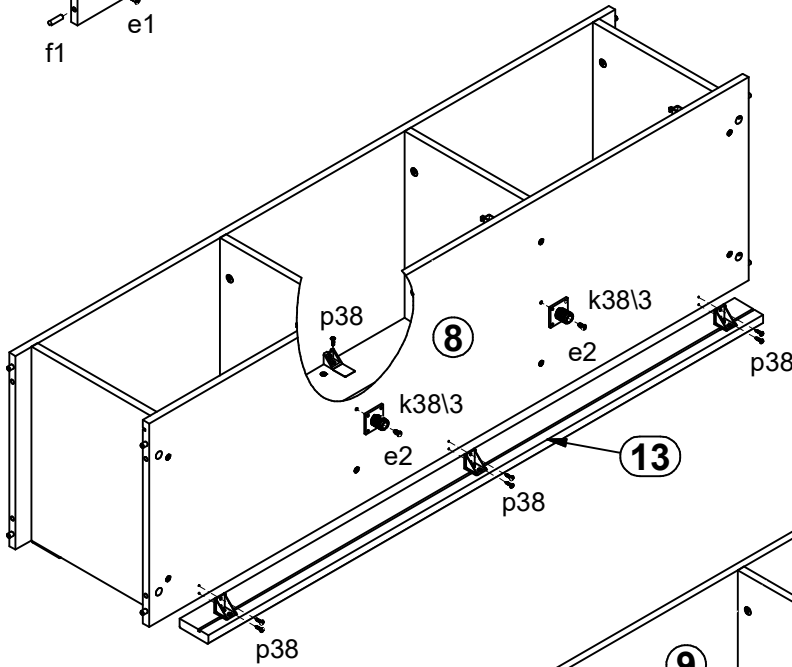
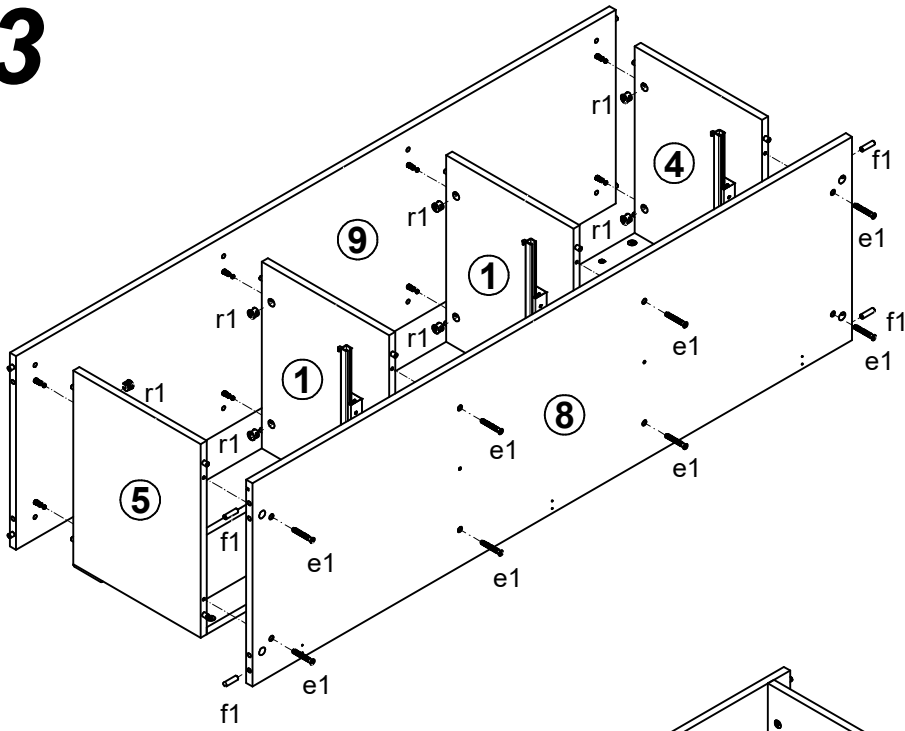
1 



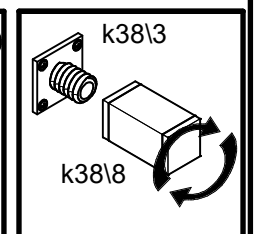
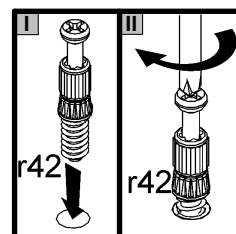
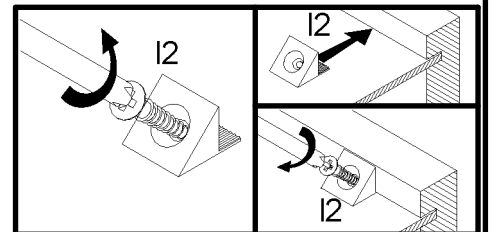
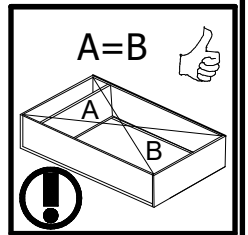
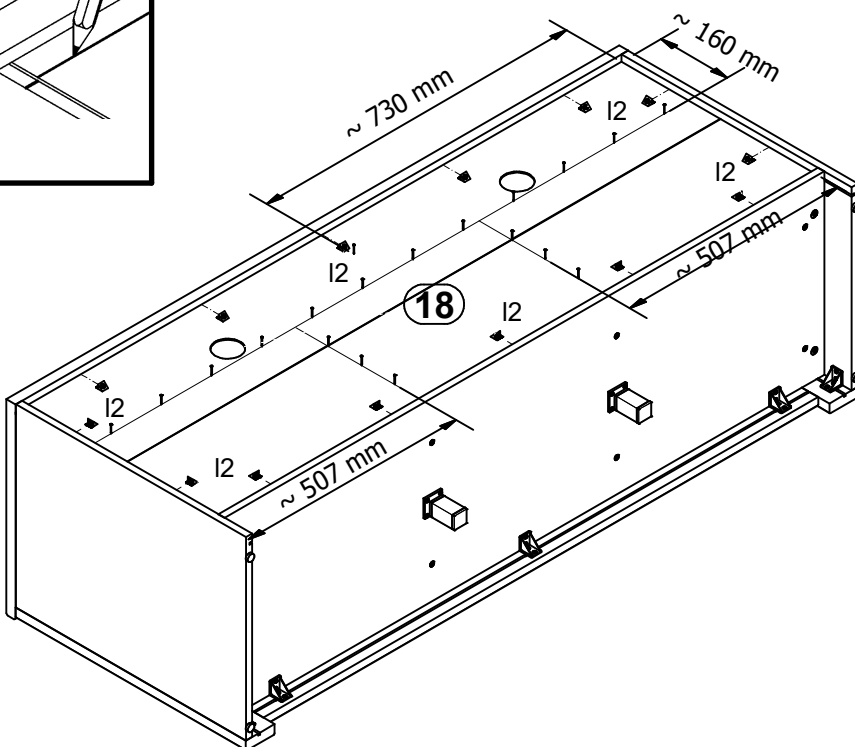
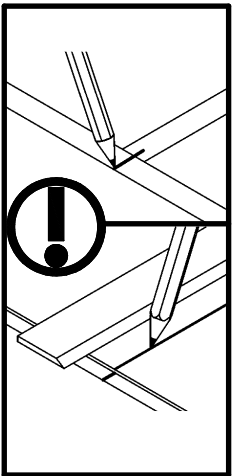
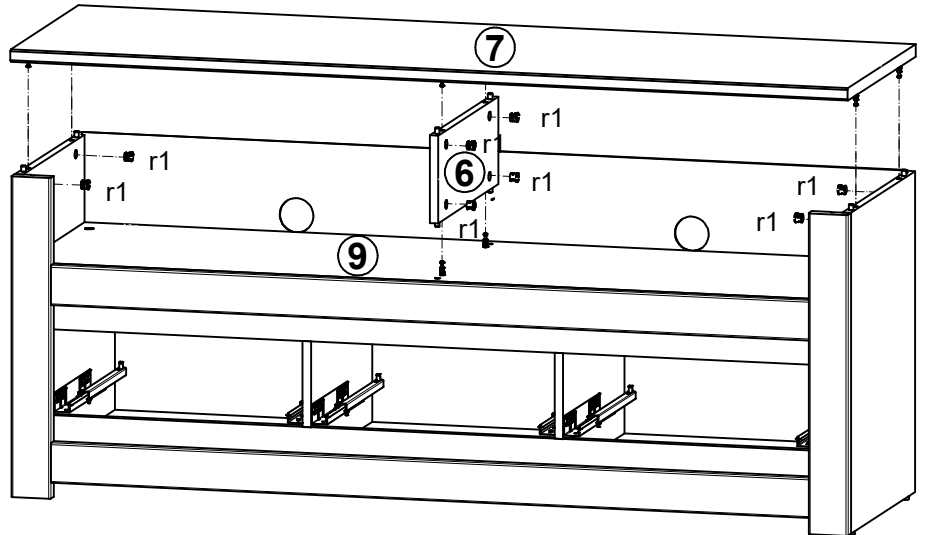
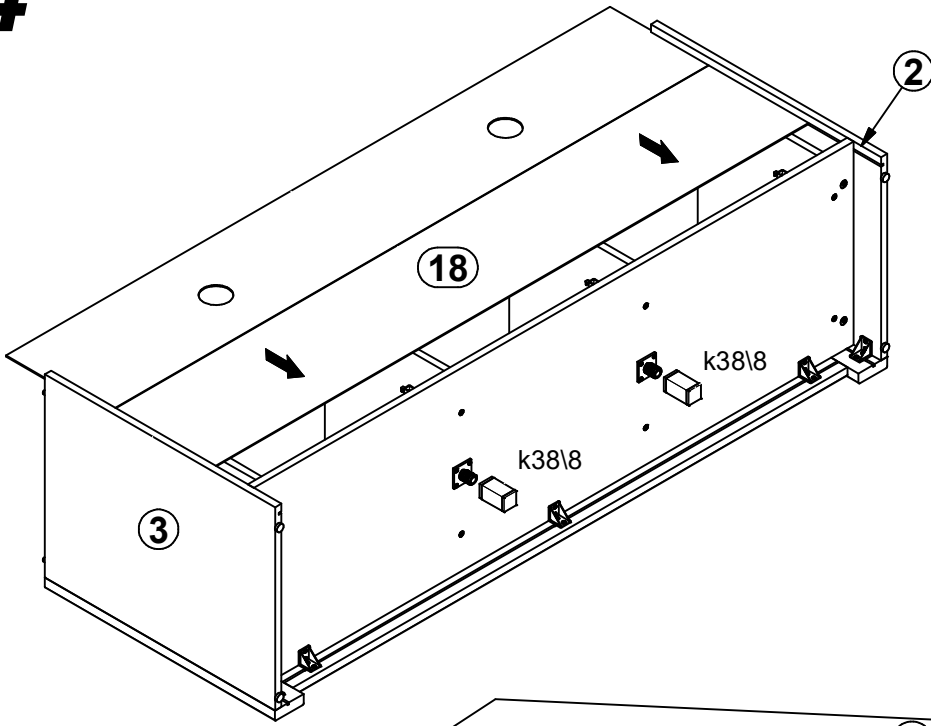
2



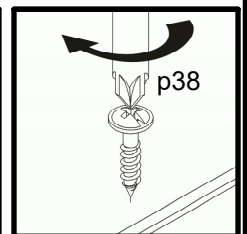
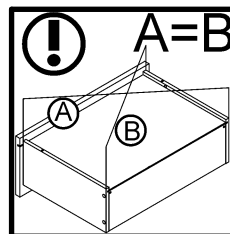
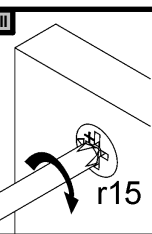
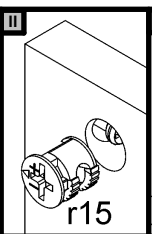
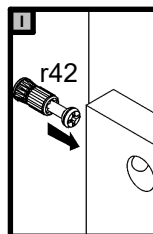
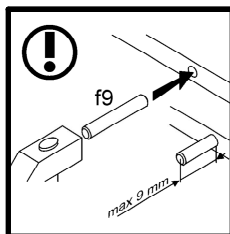
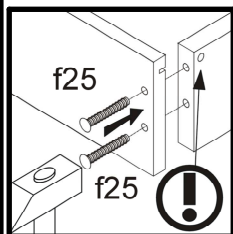
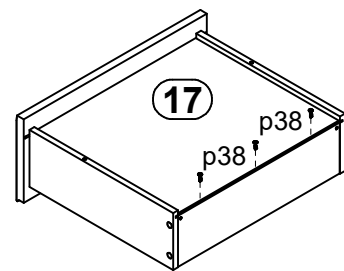
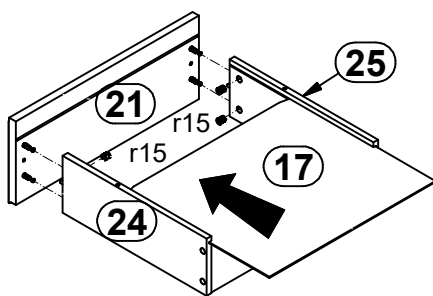
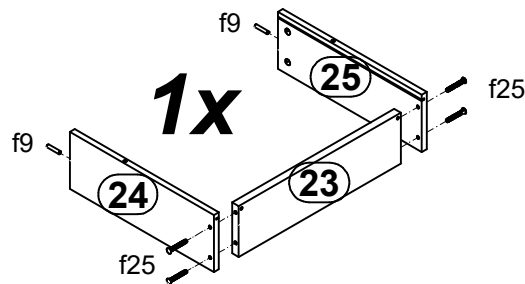
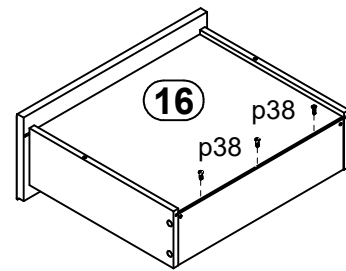
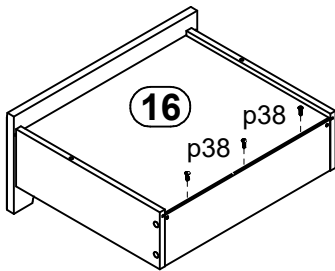
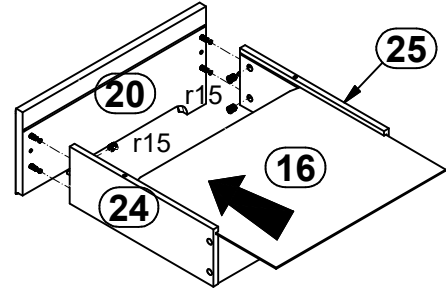
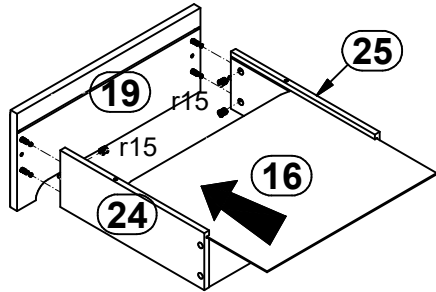
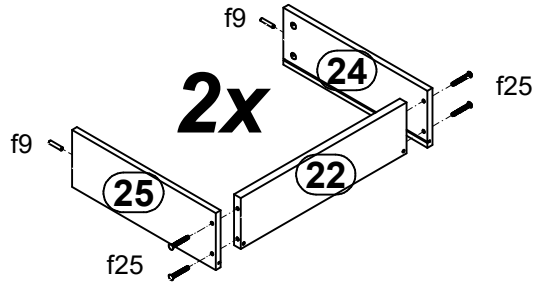
3



4



5



6

