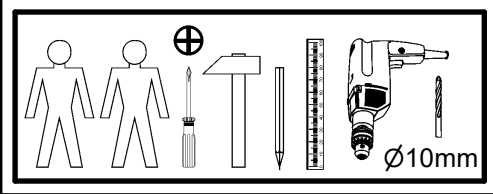
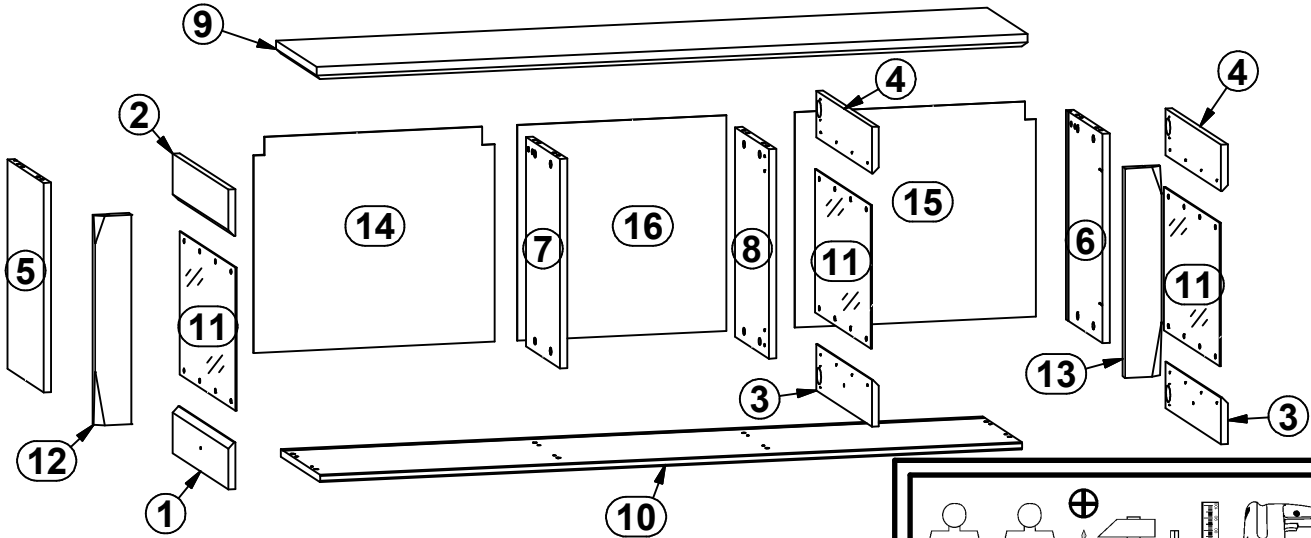
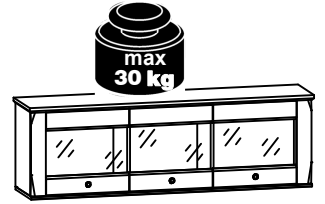


A

BERGEN

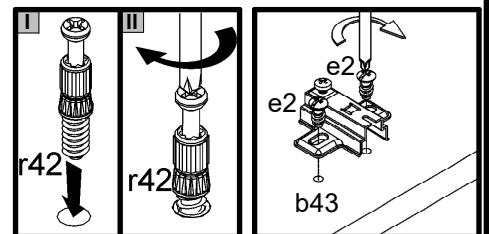
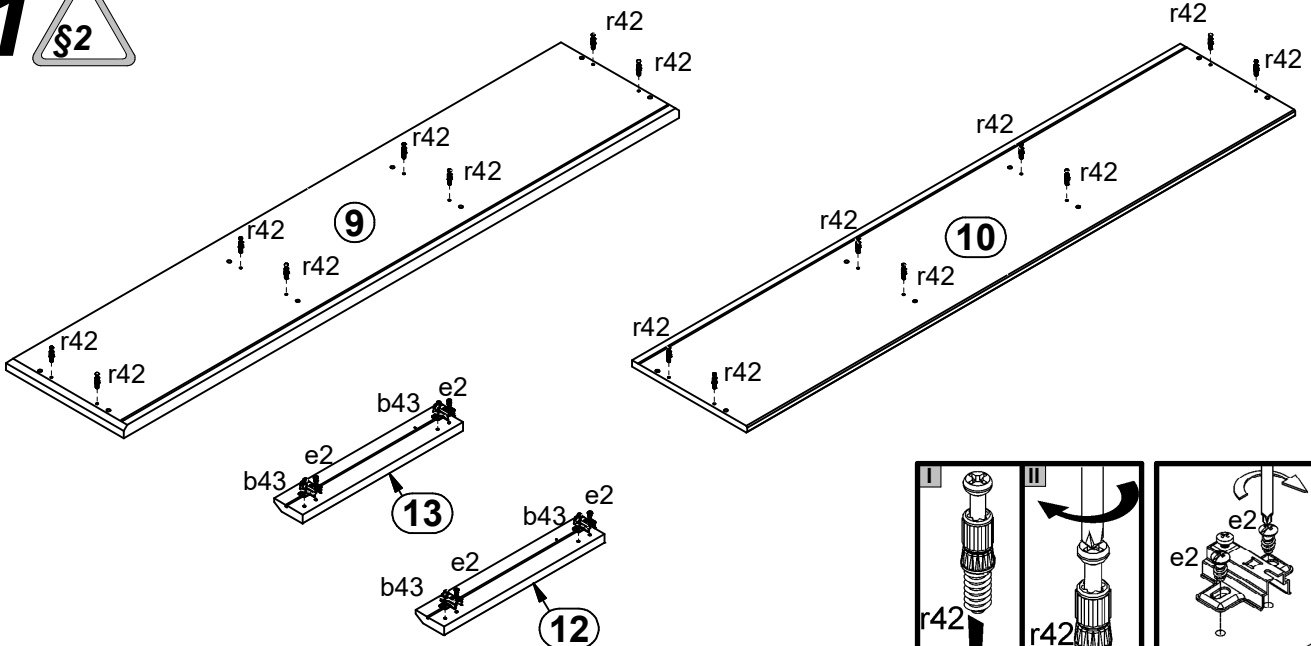
S359-SFW3W

A	B	C	D	A	B	C	D		
1	S359-0021	455	100	2 1/2	9	S359-2009	1558	331	1 1/2
2	S359-0022	455	100	2 1/2	10	S359-2010	1538	323	1 1/2
3	S359-0023	455	100	2 1/2	11	S359-5022	455	308	1 1/2
4	S359-0024	455	100	2 1/2	12	S359-5023	450	80	1 1/2
5	S359-1026	450	298	1 1/2	13	S359-5024	450	80	1 1/2
6	S359-1027	450	298	1 1/2	14	S359-9005	463	528	1 1/2
7	S359-1028	450	278	1 1/2	15	S359-9006	463	528	1 1/2
8	S359-1029	450	278	1 1/2	16	S359-9007	463	458	1 1/2

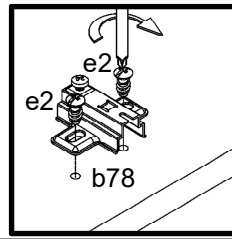
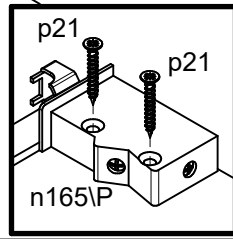
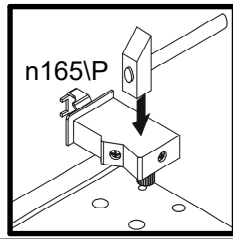
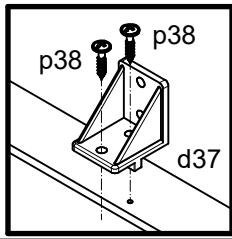
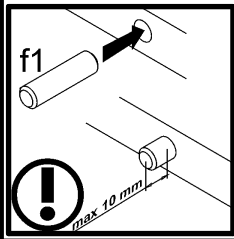
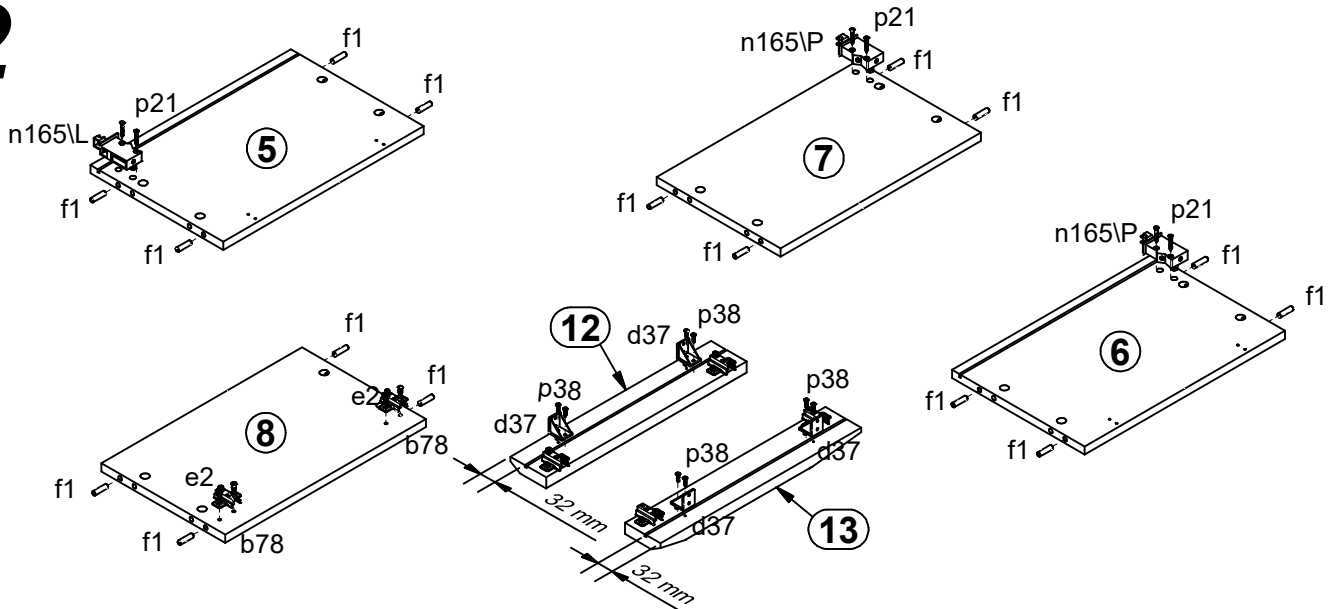


4x a132	3x a133	2x a159	4x b43	2x b78	3x c415	4x d37	12x e2 Ø6.3x13 mm	24x e41 Ø5x12 mm
16x f1 Ø8x30 mm	3x f35 Ø10x50 mm	3x j1 M4x20 mm	16x l2	6x n108 20x13x3.51	1x n165L	2x n165P	24x o54 Ø5.3xØ8.3x4.8 mm	6x p21 Ø4x30 mm
16x p38 Ø3.5x16 mm	12x p51 Ø3.5x15 mm	6x p55 Ø2.9x16 mm	3x p127 Ø6x60 mm	16x r1 Ø15x12 mm #16	16x r42 20/11	16x s68 Ø 20mm		

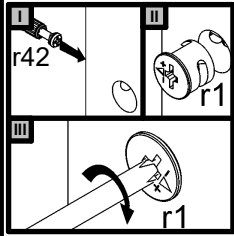
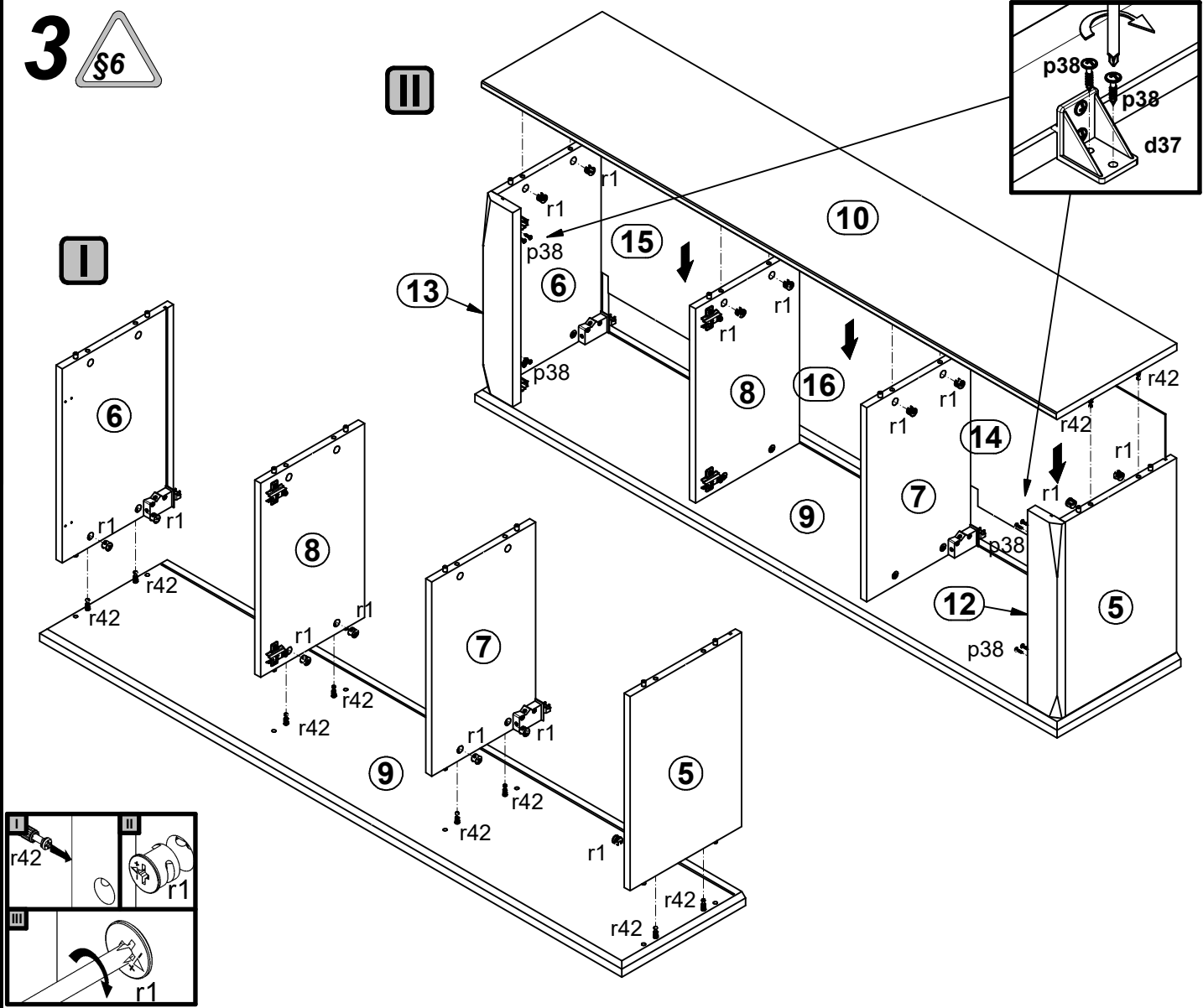
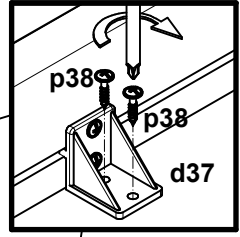
1



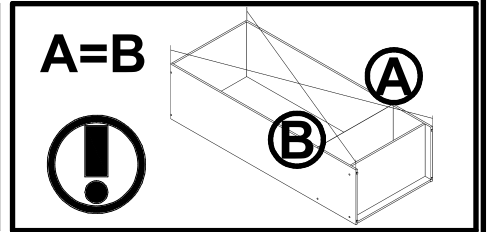
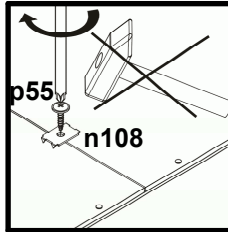
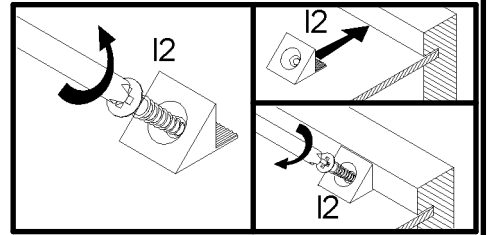
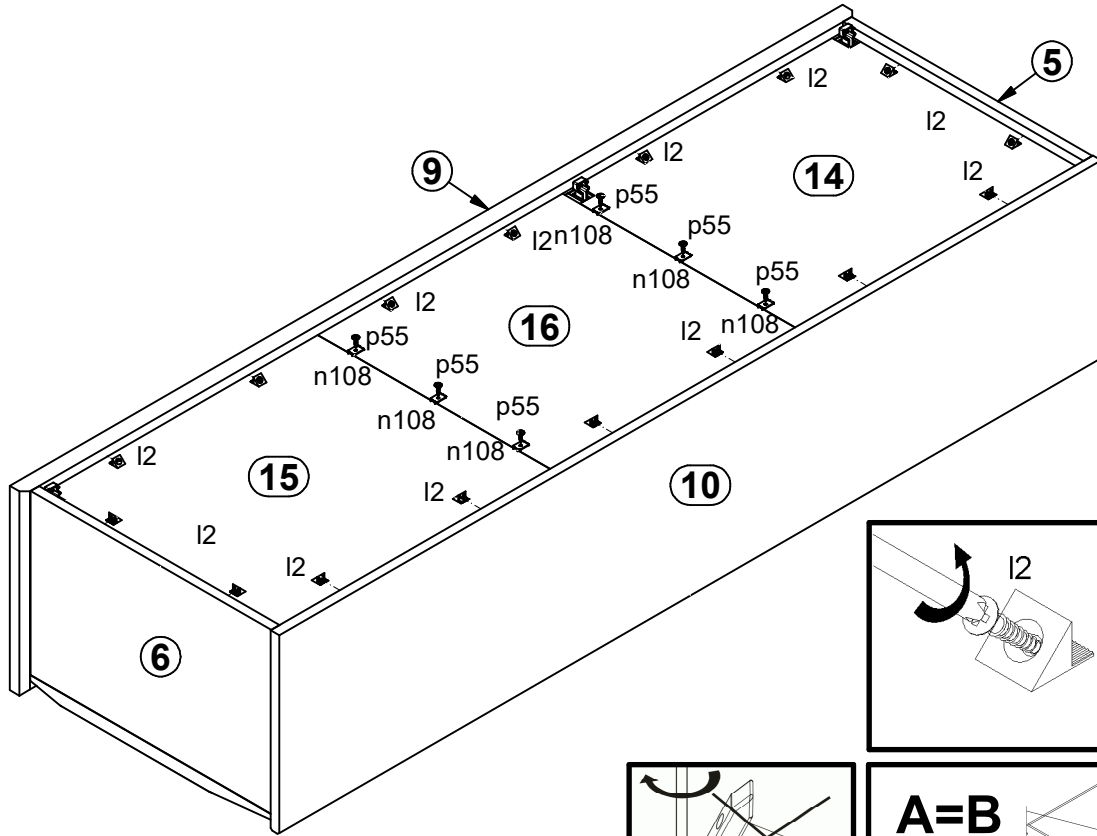
2



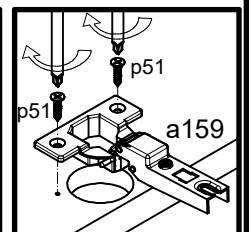
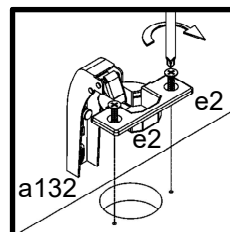
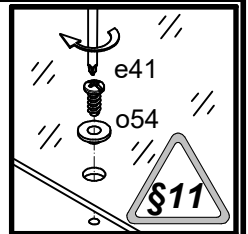
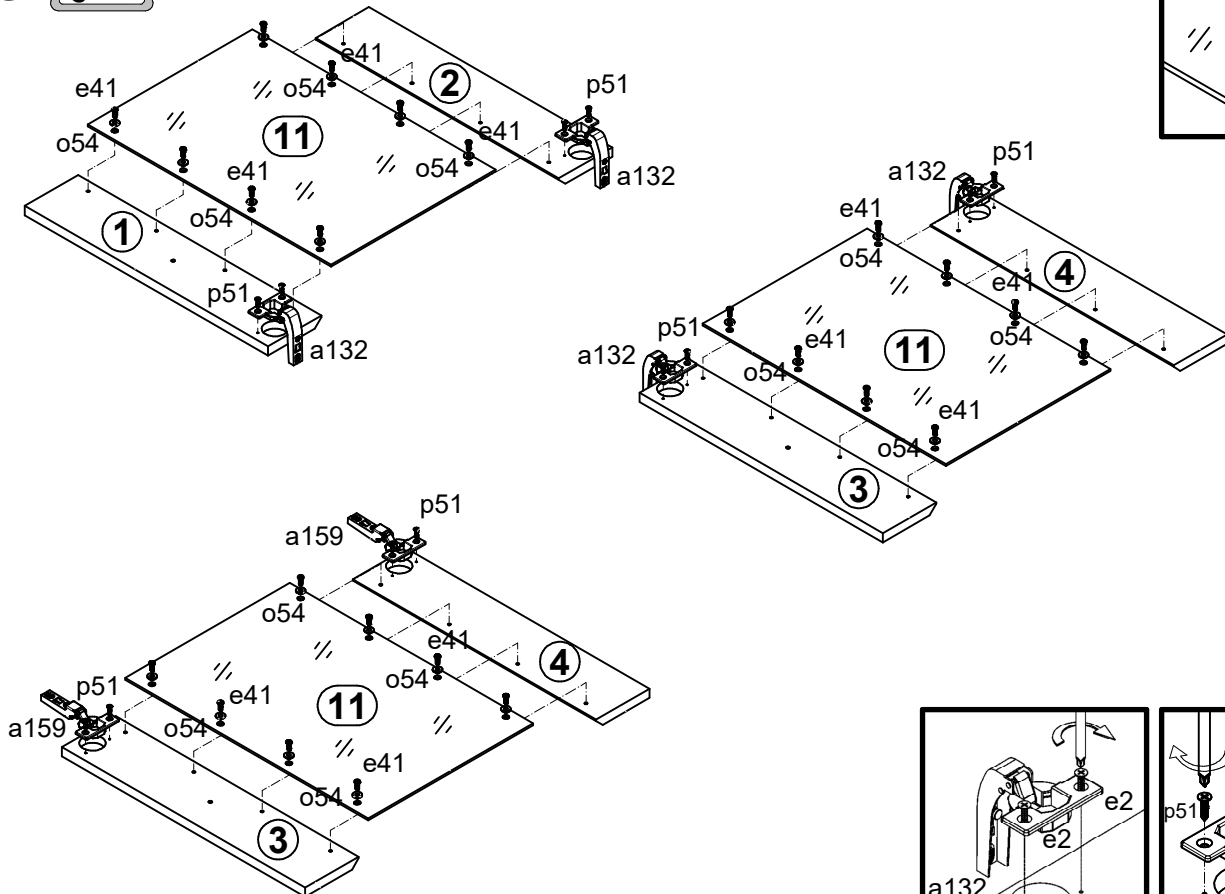
3



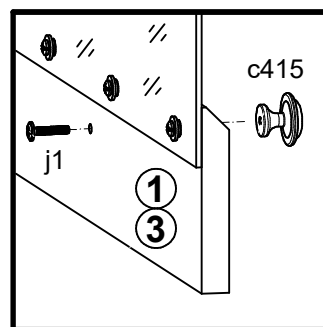
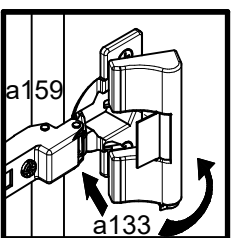
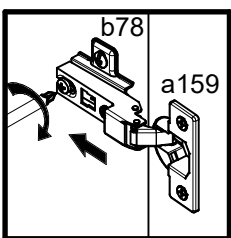
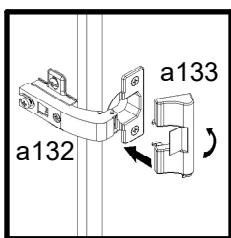
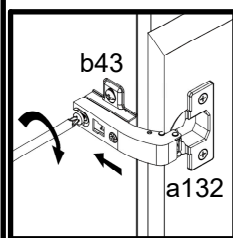
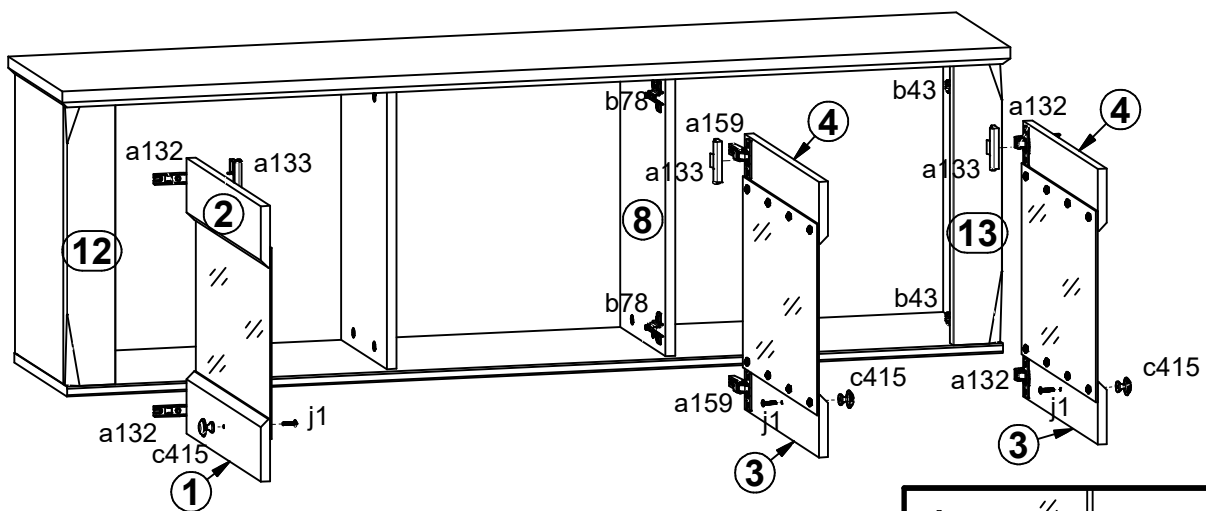
4



5



6



7

