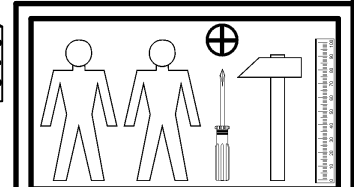
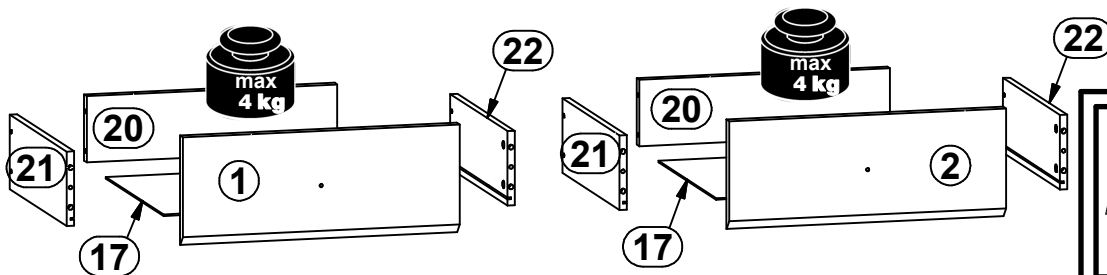
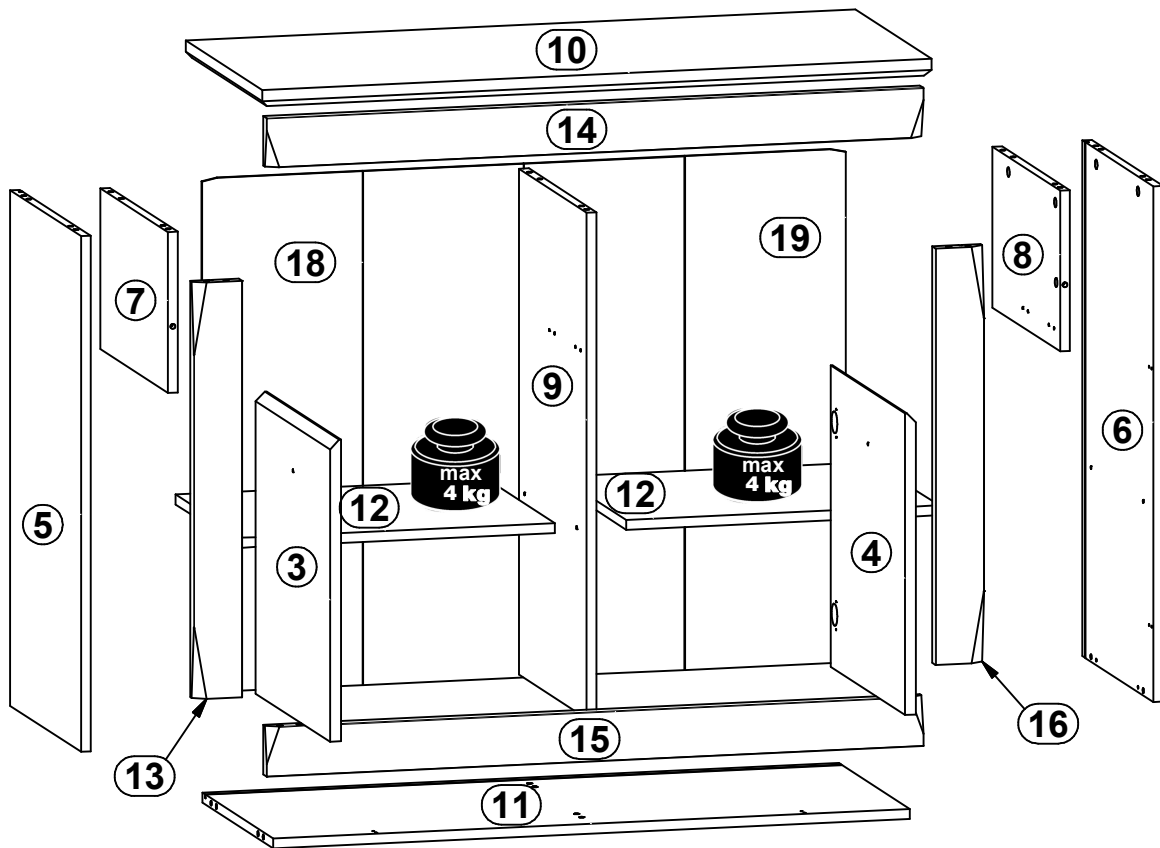
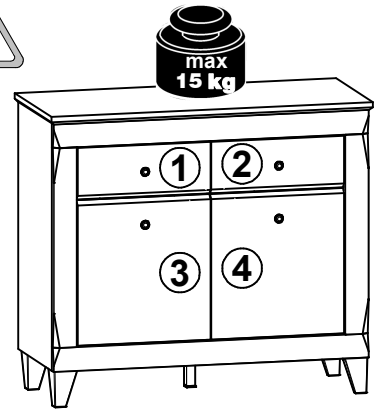


**A**

# BERGEN

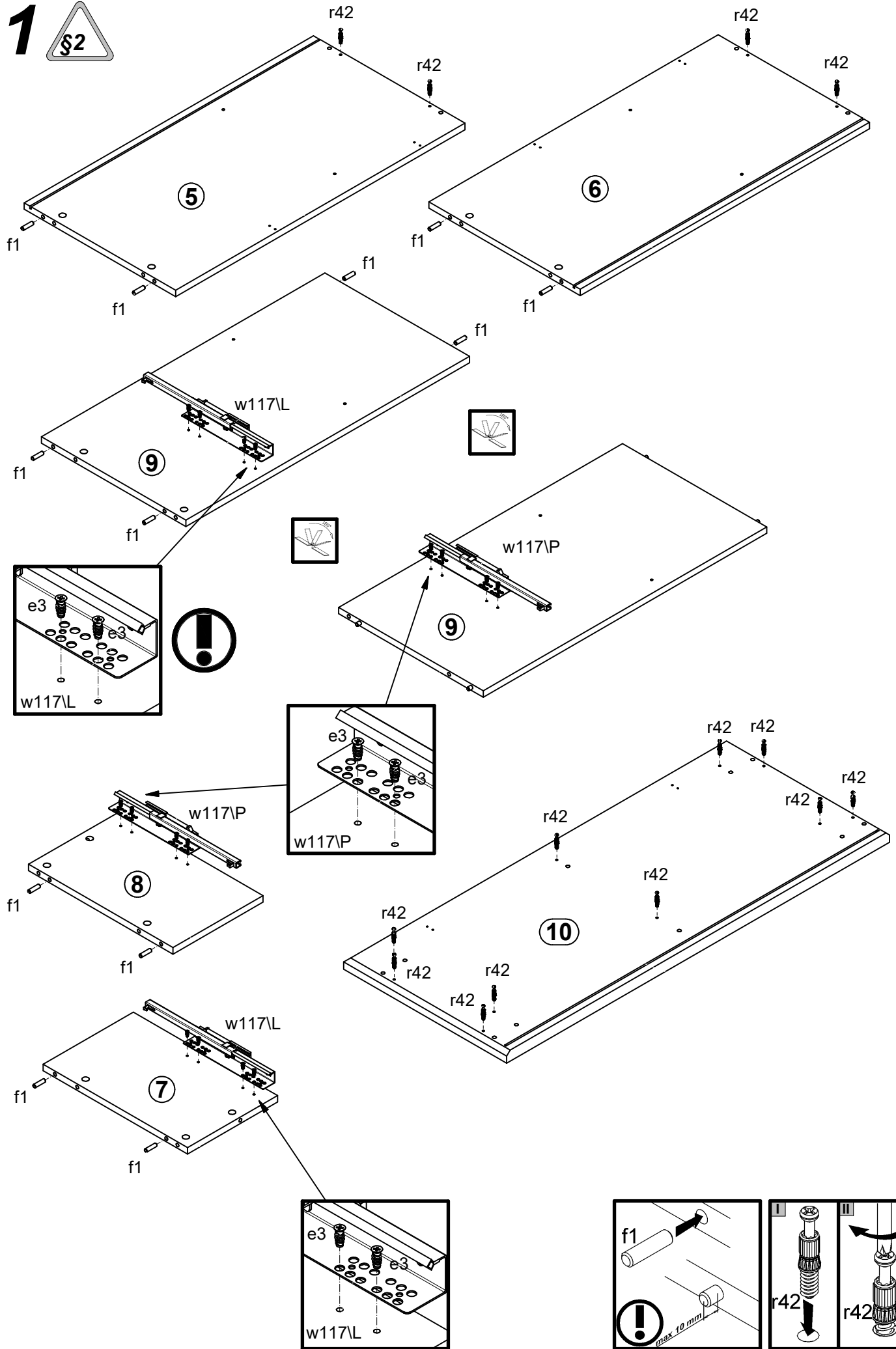
**S359-KOM2D2S**

A	B	C	D	A	B	C	D		
1	S359-0007	455	176	4/5	12	S359-3006	514	409	1/5
2	S359-0008	455	176	4/5	13	S359-5007	671	80	3/5
3	S359-0009	486	455	4/5	14	S359-5008	1079	80	3/5
4	S359-0010	486	455	4/5	15	S359-5009	1079	80	3/5
5	S359-1009	831	435	1/5	16	S359-5010	671	80	3/5
6	S359-1010	831	435	1/5	17	S359-9002	422	355	1/5
7	S359-1011	259	415	1/5	18	S359-9303	828	529	1/5
8	S359-1012	259	415	1/5	19	S359-9304	828	529	1/5
9	S359-1013	815	415	1/5	20	ZQ2-1513	412	107	1/5
10	S359-2003	1100	468	2/5	21	ZQ3-507	350	120	1/5
11	S359-3005	1046	435	2/5	22	ZQ3-508	350	120	1/5

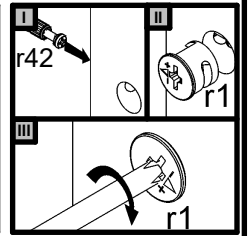
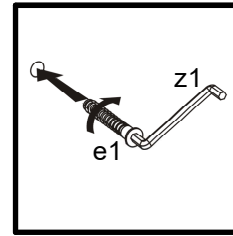
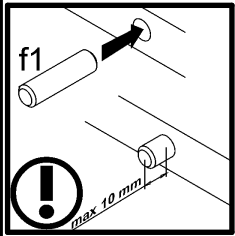
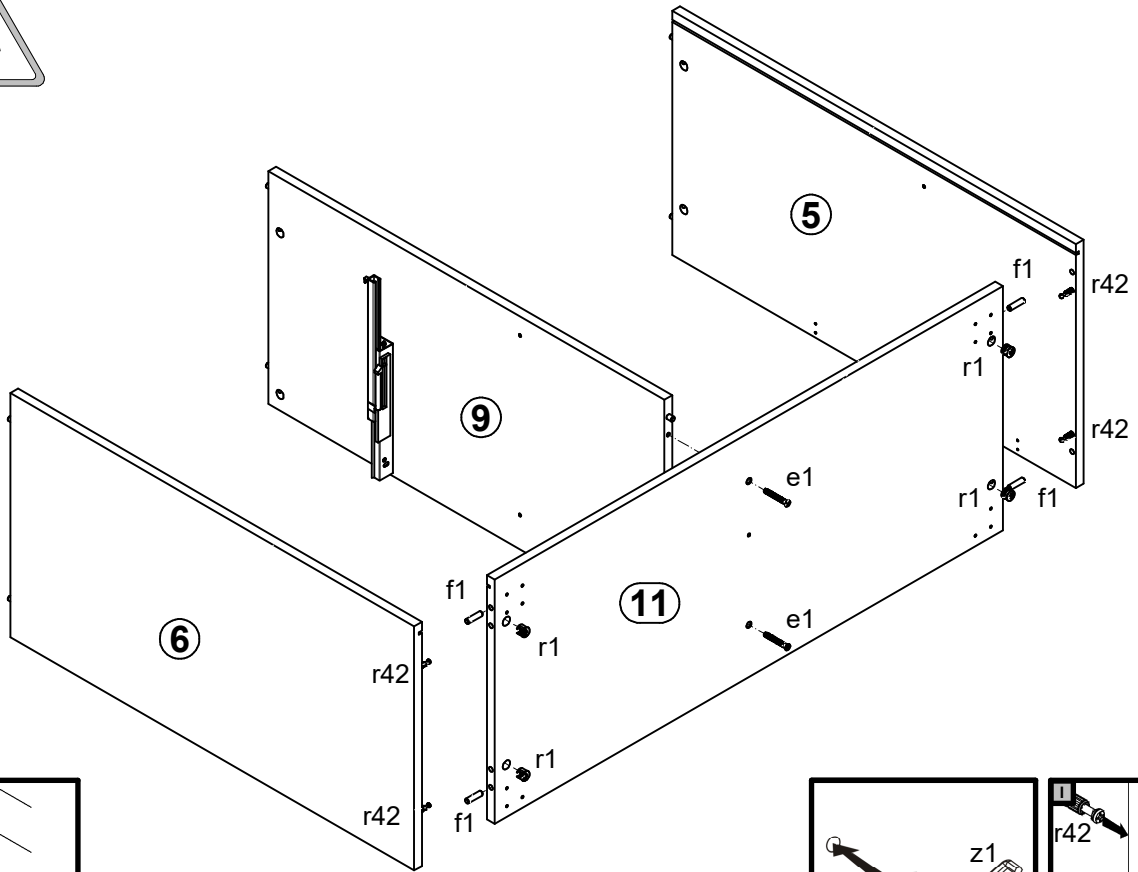


4x  a132	2x  a133	4x  b43	4x  c415	8x  d1	8x  d37	2x  e1	9x  e2	16x  e3
24x  f1	8x  f25	4x  f9	4x  j30	4x  k125	1x  k3813	1x  k3817	14x  l2	4x  n108
12x  e58	44x  p38	8x  p51	4x  p55	16x  r1	8x  r15	24x  r42	2x  w117L	2x  w117P
1x  z1							1x  n2611	1x  p38

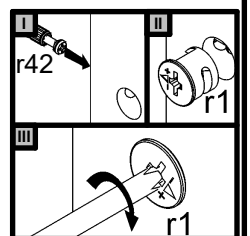
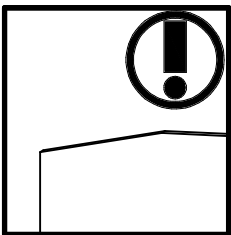
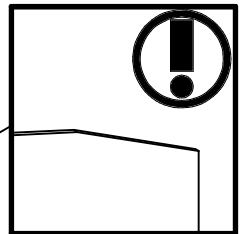
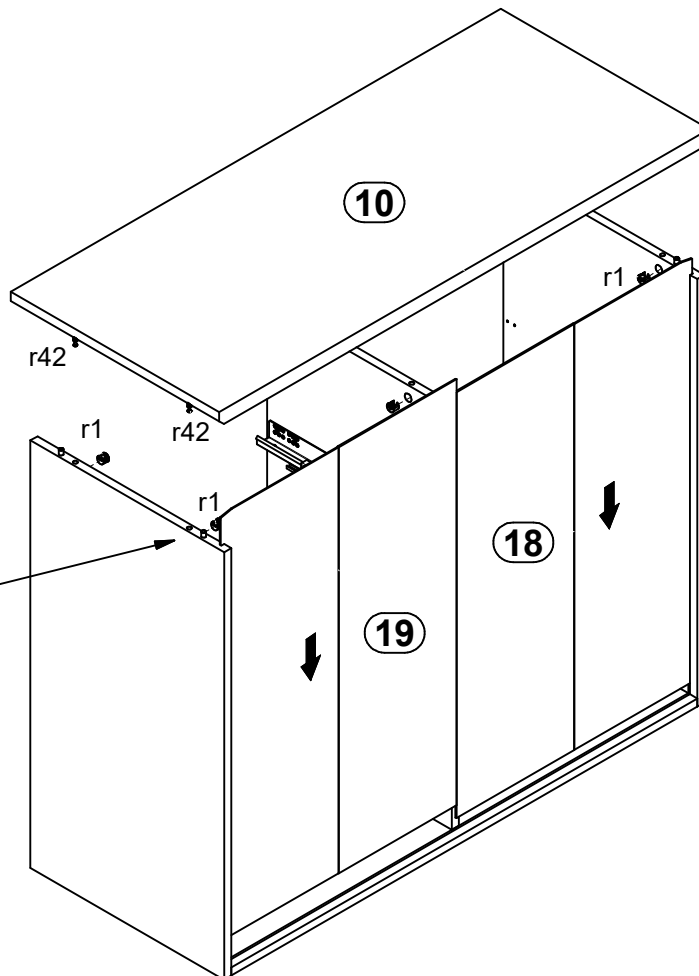
1 



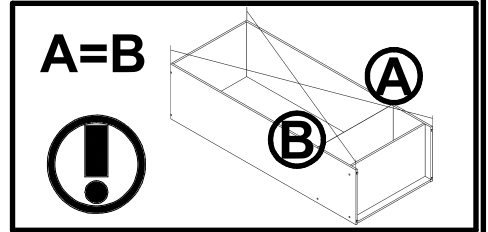
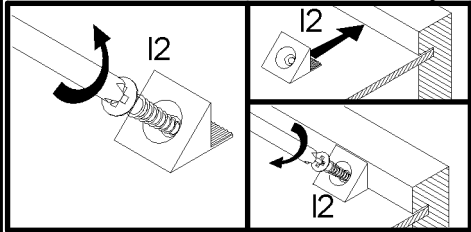
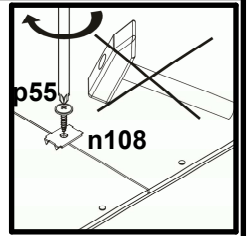
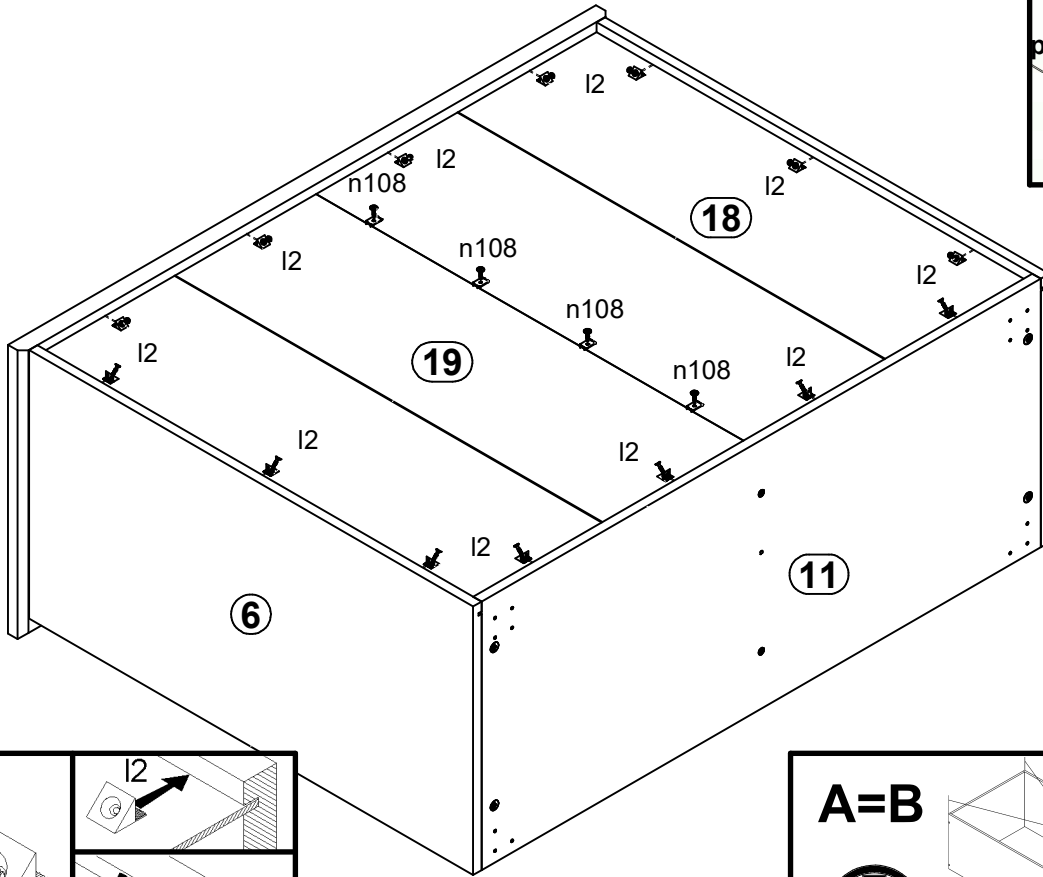
# 2



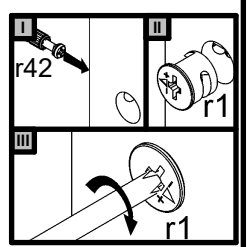
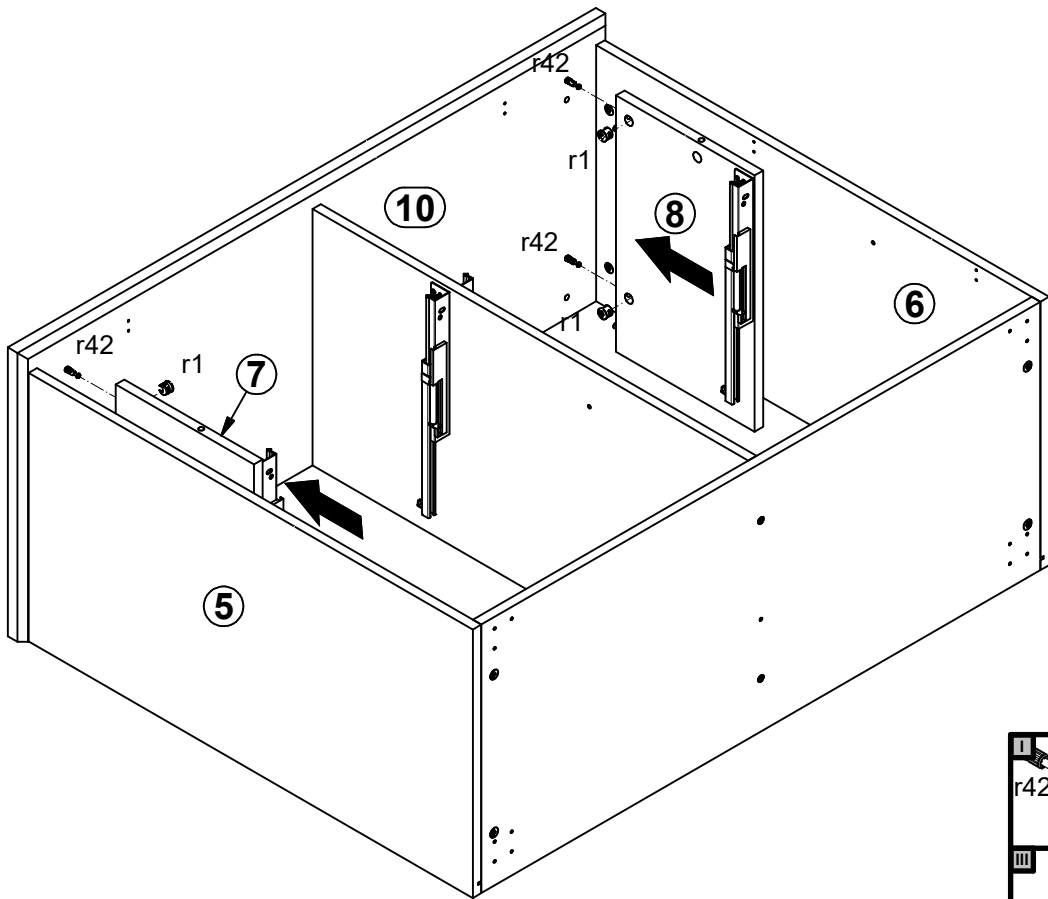
# 3



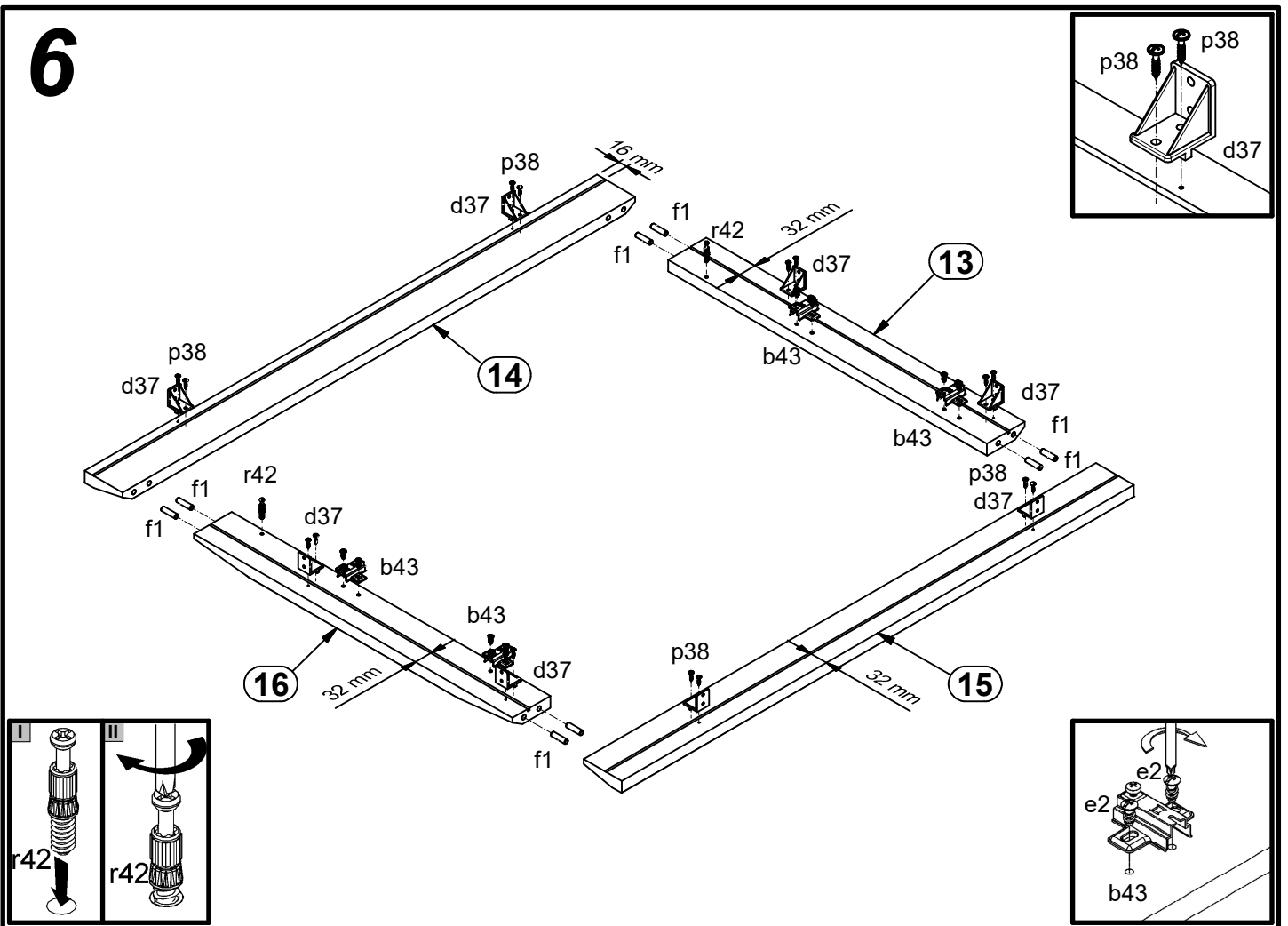
# 4



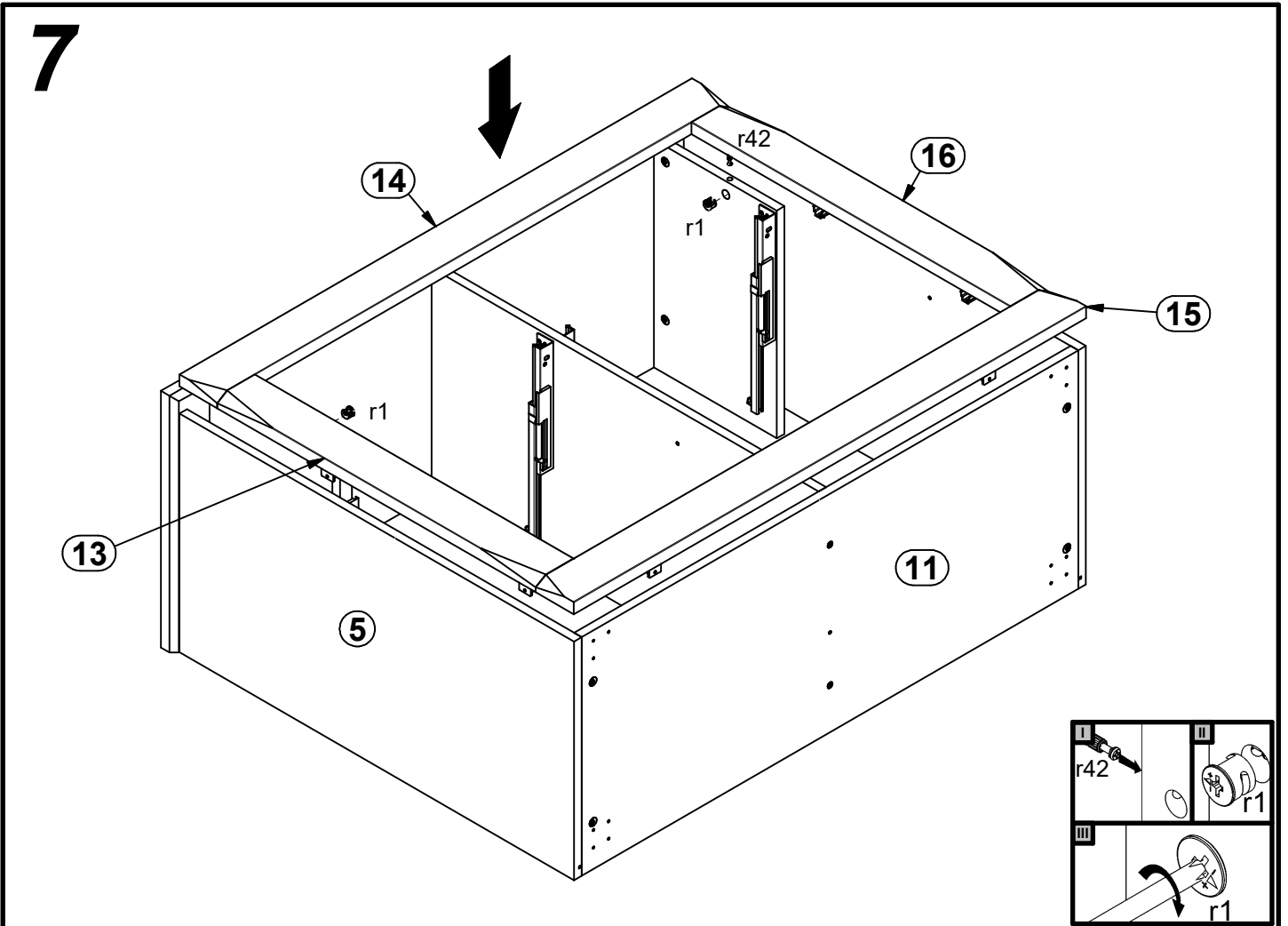
# 5



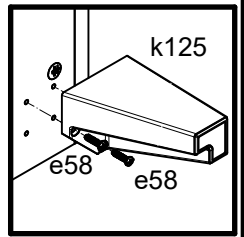
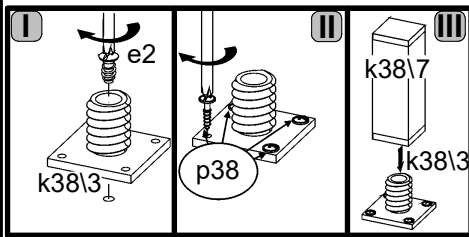
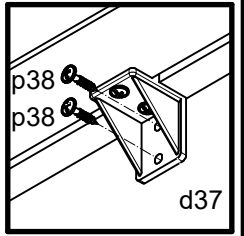
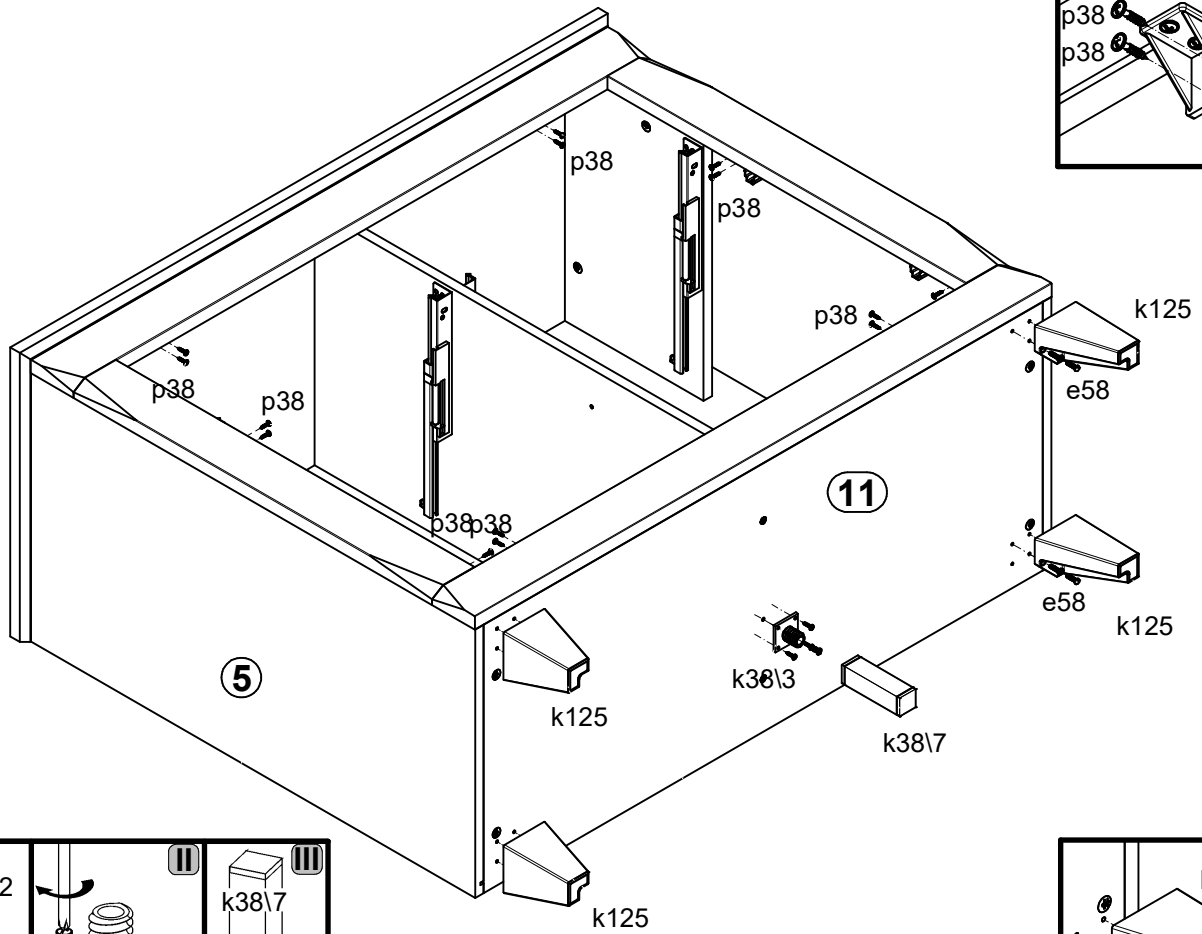
# 6



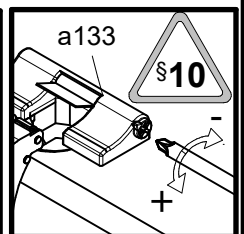
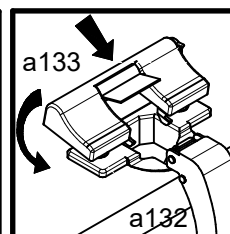
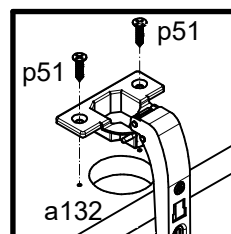
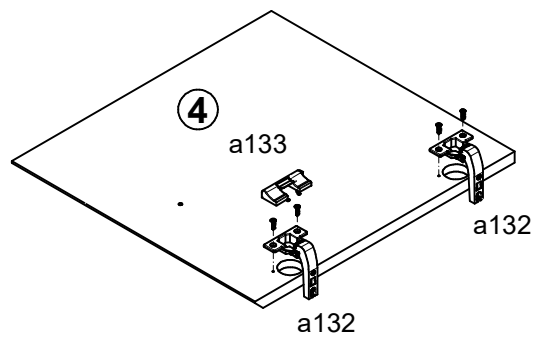
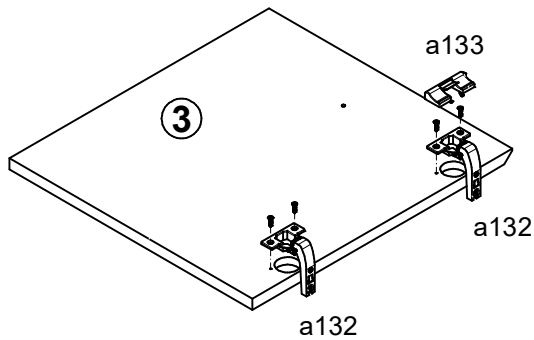
# 7



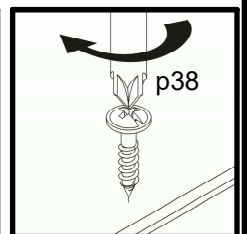
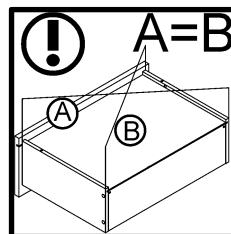
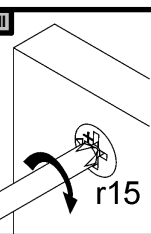
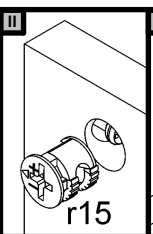
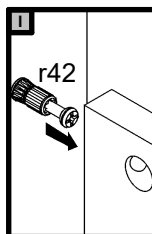
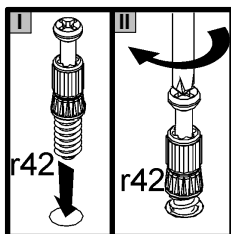
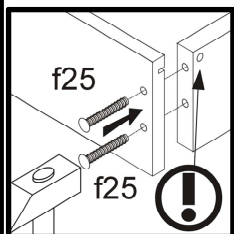
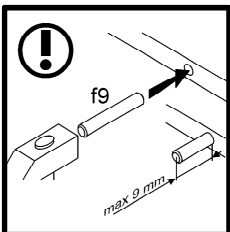
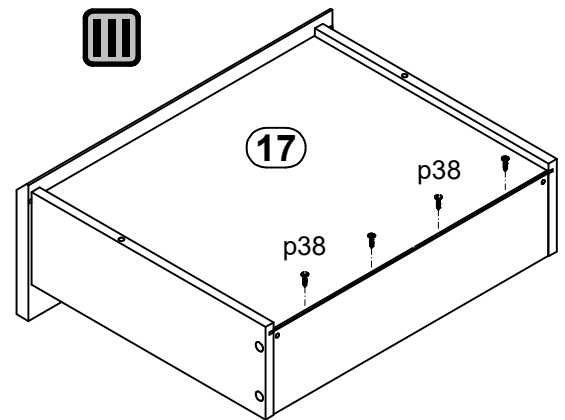
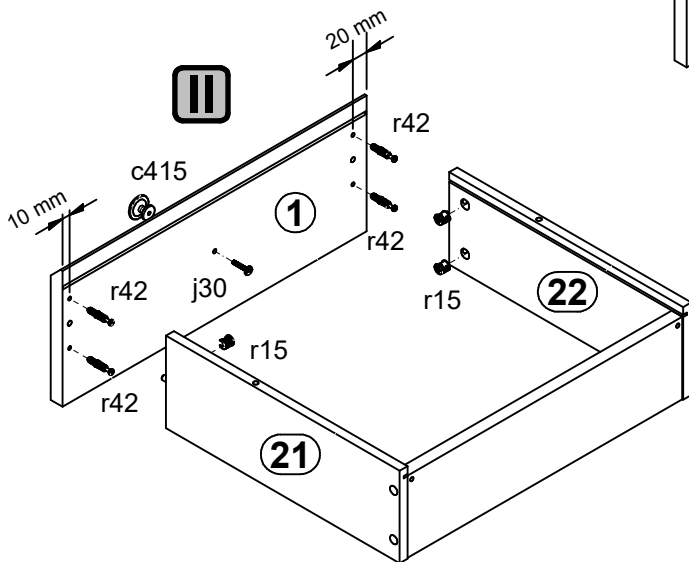
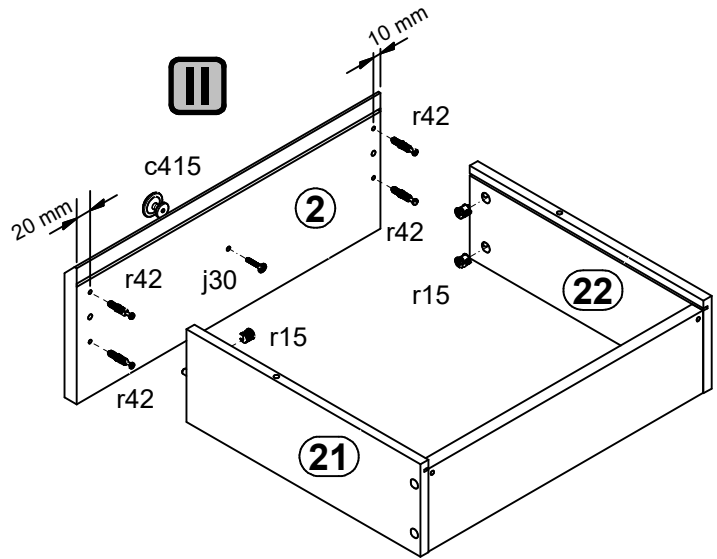
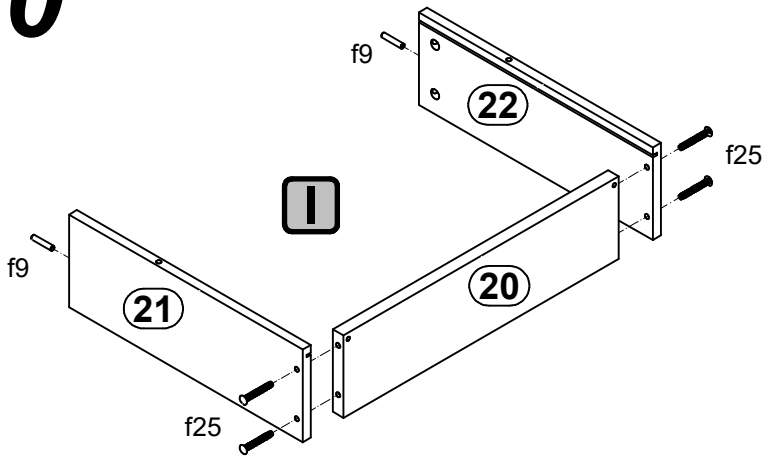
# 8



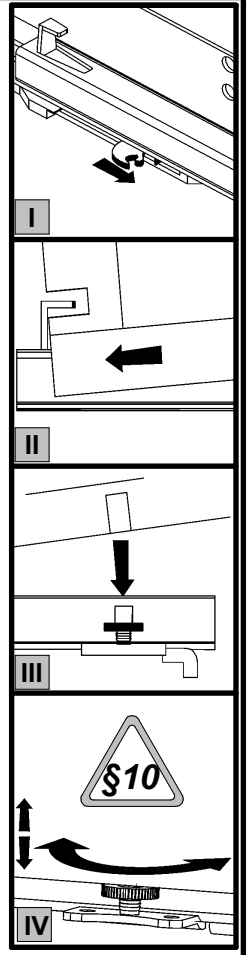
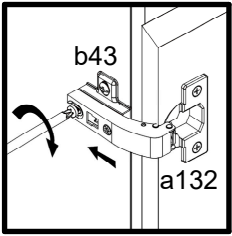
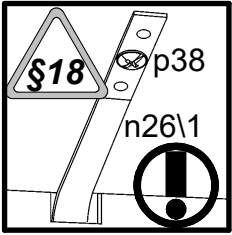
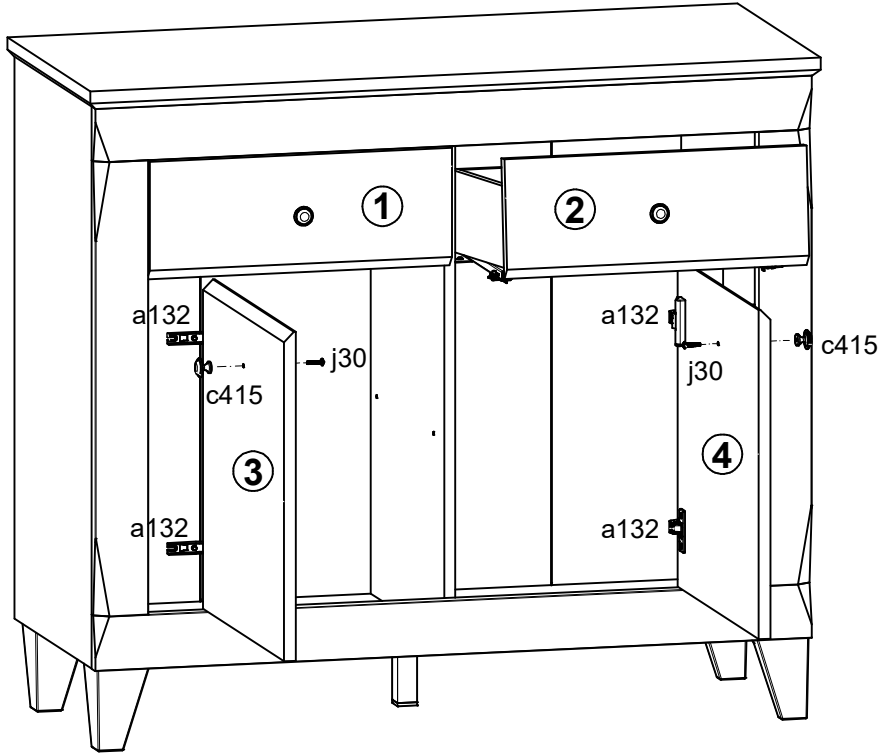
# 9



# 10



# 11



# 12

