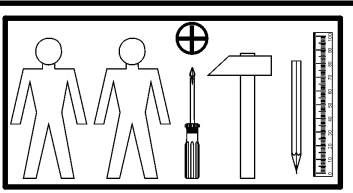
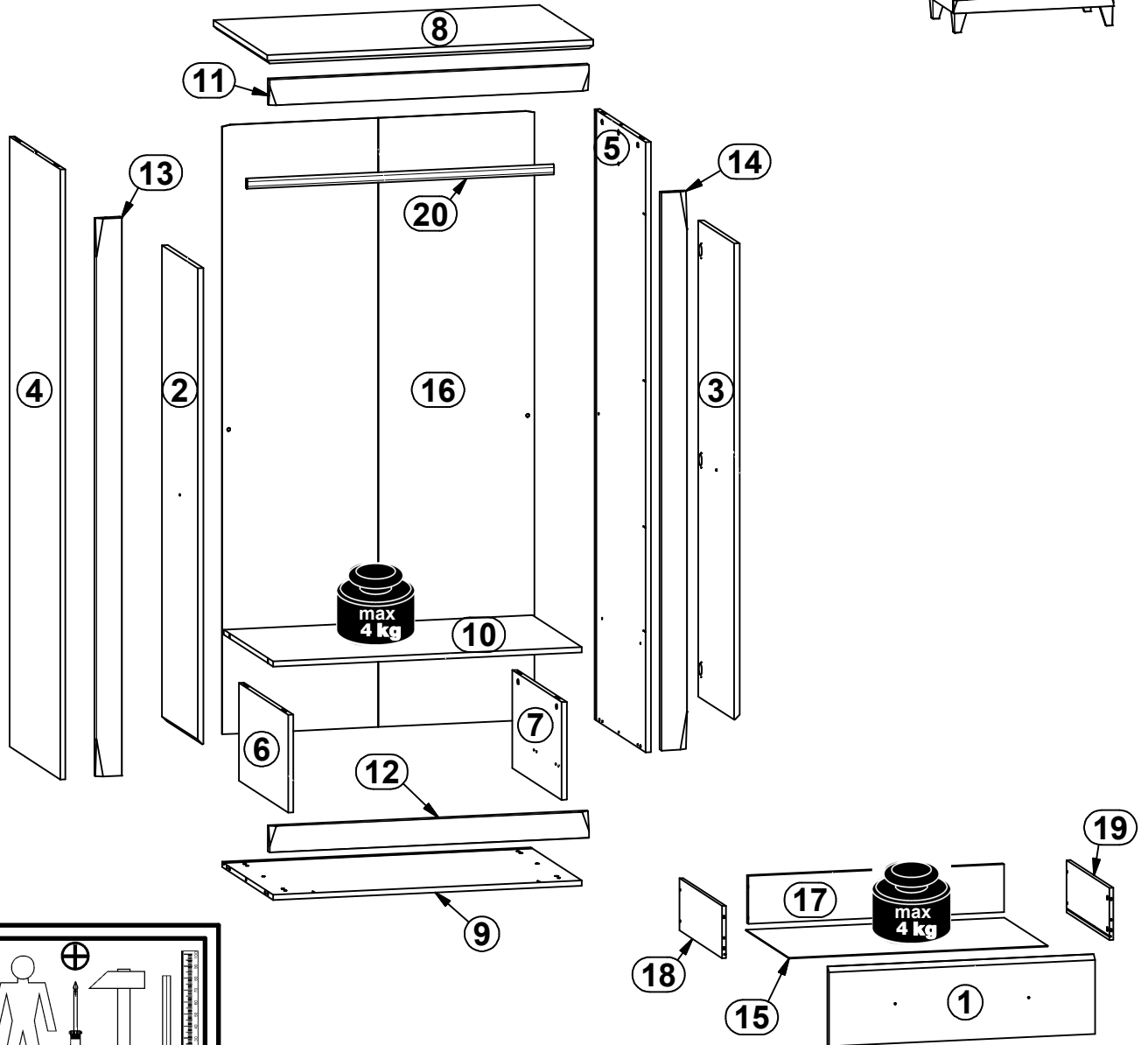
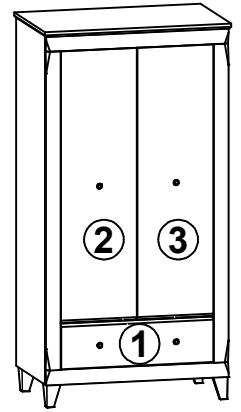
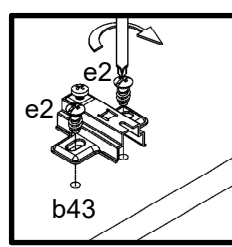
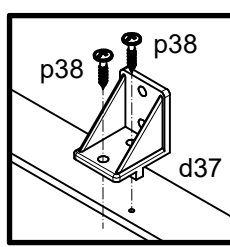
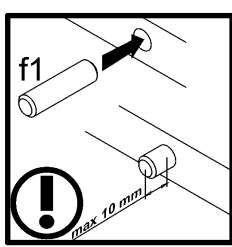
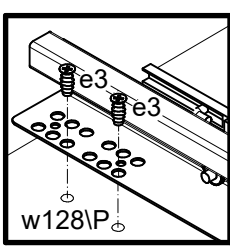
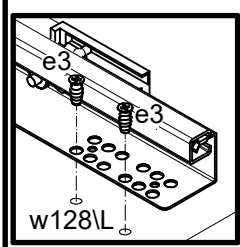
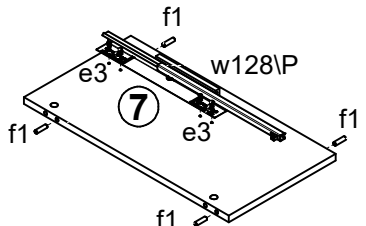
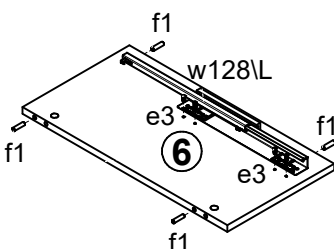
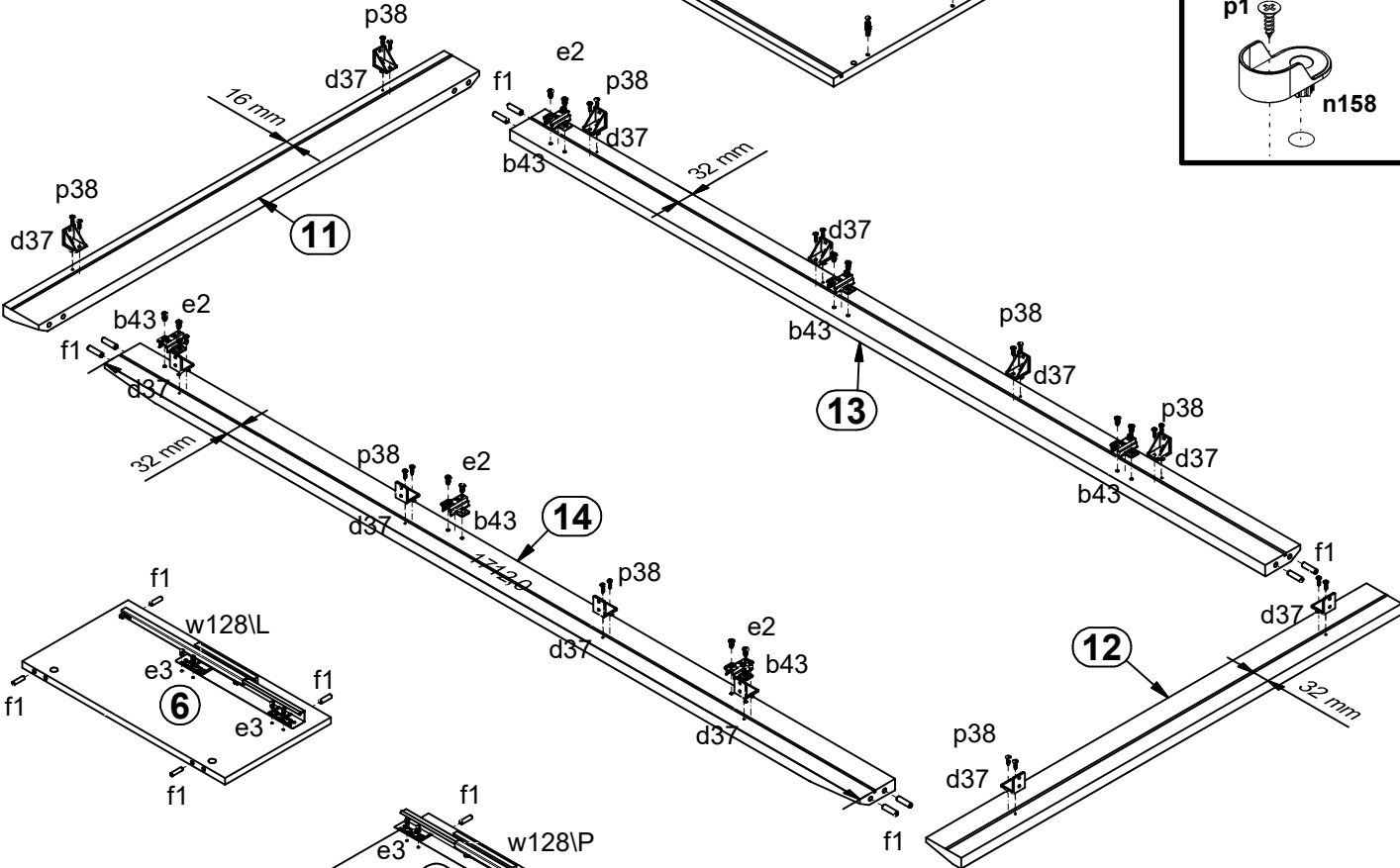
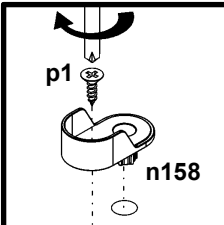
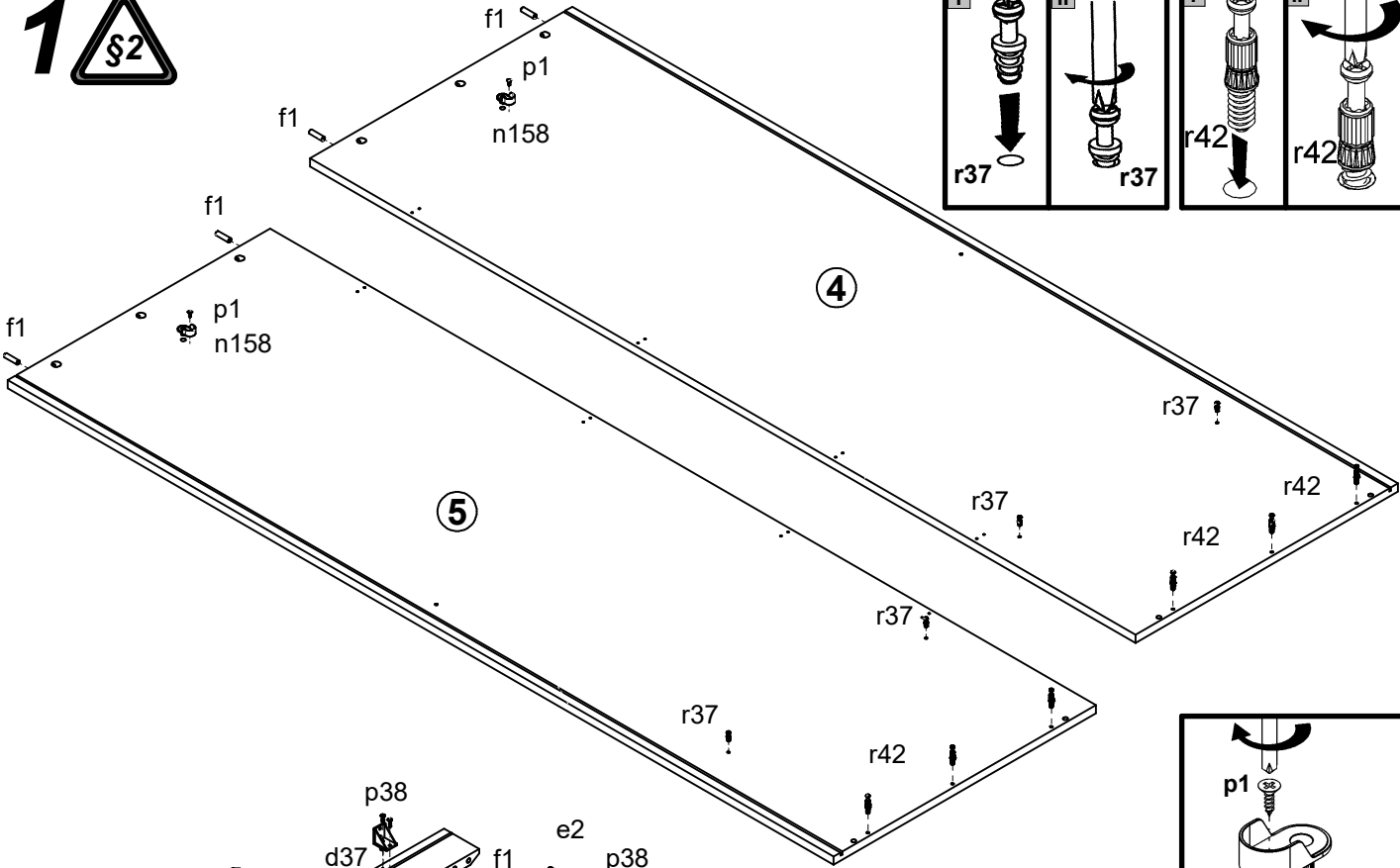
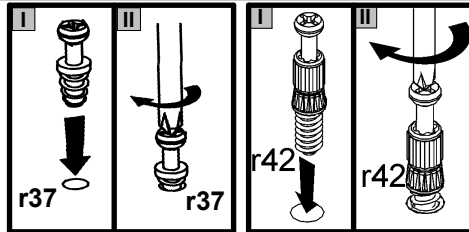


A	B	C	D	A	B	C	D		
1	S359-0026	833	242	4/5	11	S359-5015	999	80	3/5
2	S359-0027	1461	415	4/5	12	S359-5016	999	80	3/5
3	S359-0028	1461	415	4/5	13	S359-5028	1712	80	3/5
4	S359-1034	1872	595	1/5	14	S359-5029	1712	80	3/5
5	S359-1035	1872	595	1/5	15	S359-9010	810	505	2/5
6	S359-1036	300	575	2/5	16	S359-9307	1869	977	1/5
7	S359-1037	300	575	2/5	17	ZQ2-1516	800	147	2/5
8	S359-2013	1020	628	2/5	18	ZQ3-521	500	160	2/5
9	S359-3016	966	595	2/5	19	ZQ3-522	500	160	2/5
10	S359-3017	966	575	2/5	20	dr-960	960	30	2/5

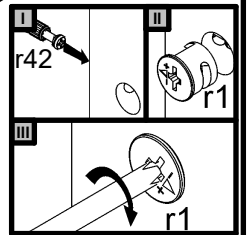
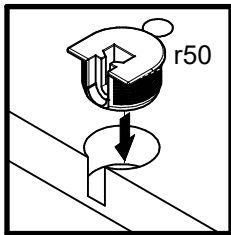
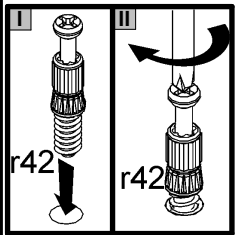
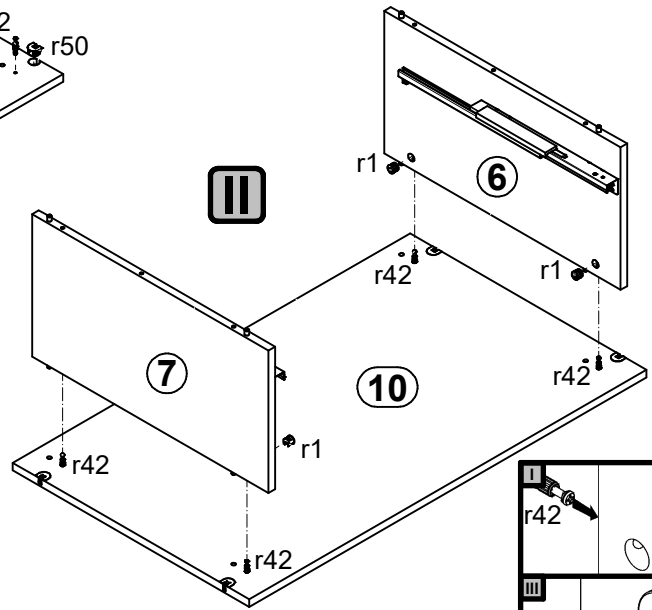
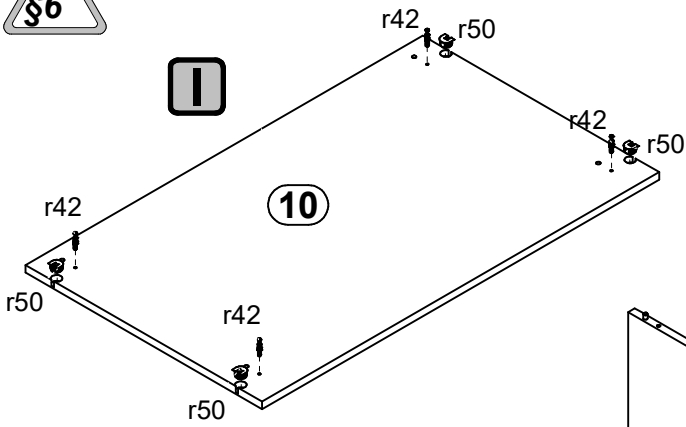


6x a132	2x a133	6x b43	4x c415	2x d20	12x d37	6x e1	12x e2	8x e3
2x e50	12x e58	24x f1	2x f9	4x f25	4x j30	4x k125	10x l1	14x l2
2x n158	2x p1	1x p25	1x p35	57x p38	12x p51	16x r1	4x r15	4x r37
20x r42	4x r50	1x t34	1x w128/L	1x w128/P	1x n26/1	6x s68	1x z1	

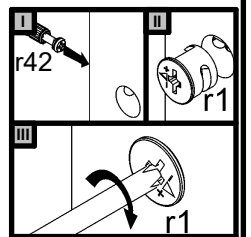
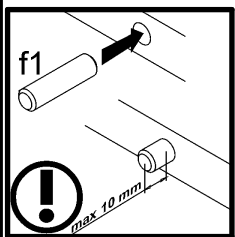
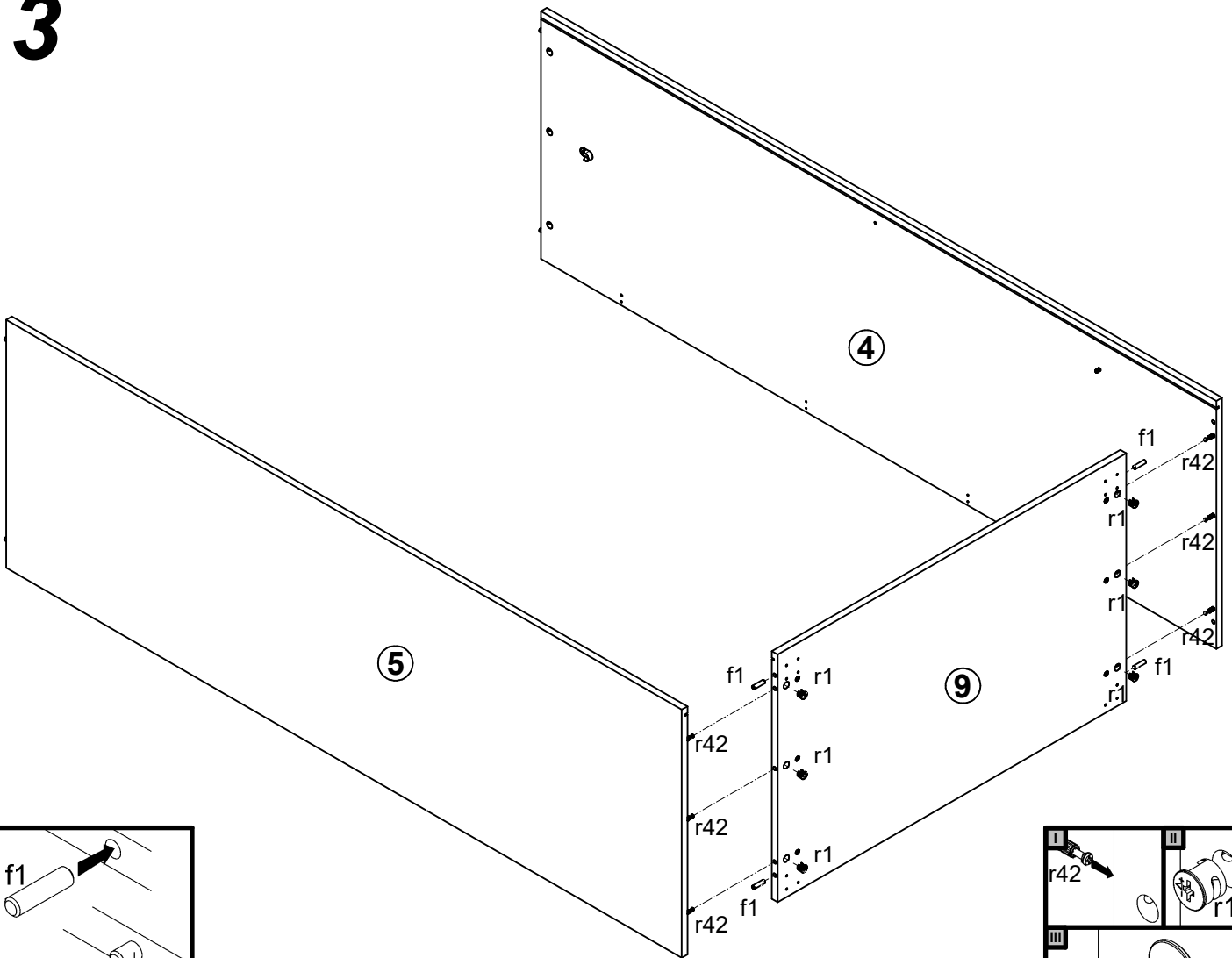
1 

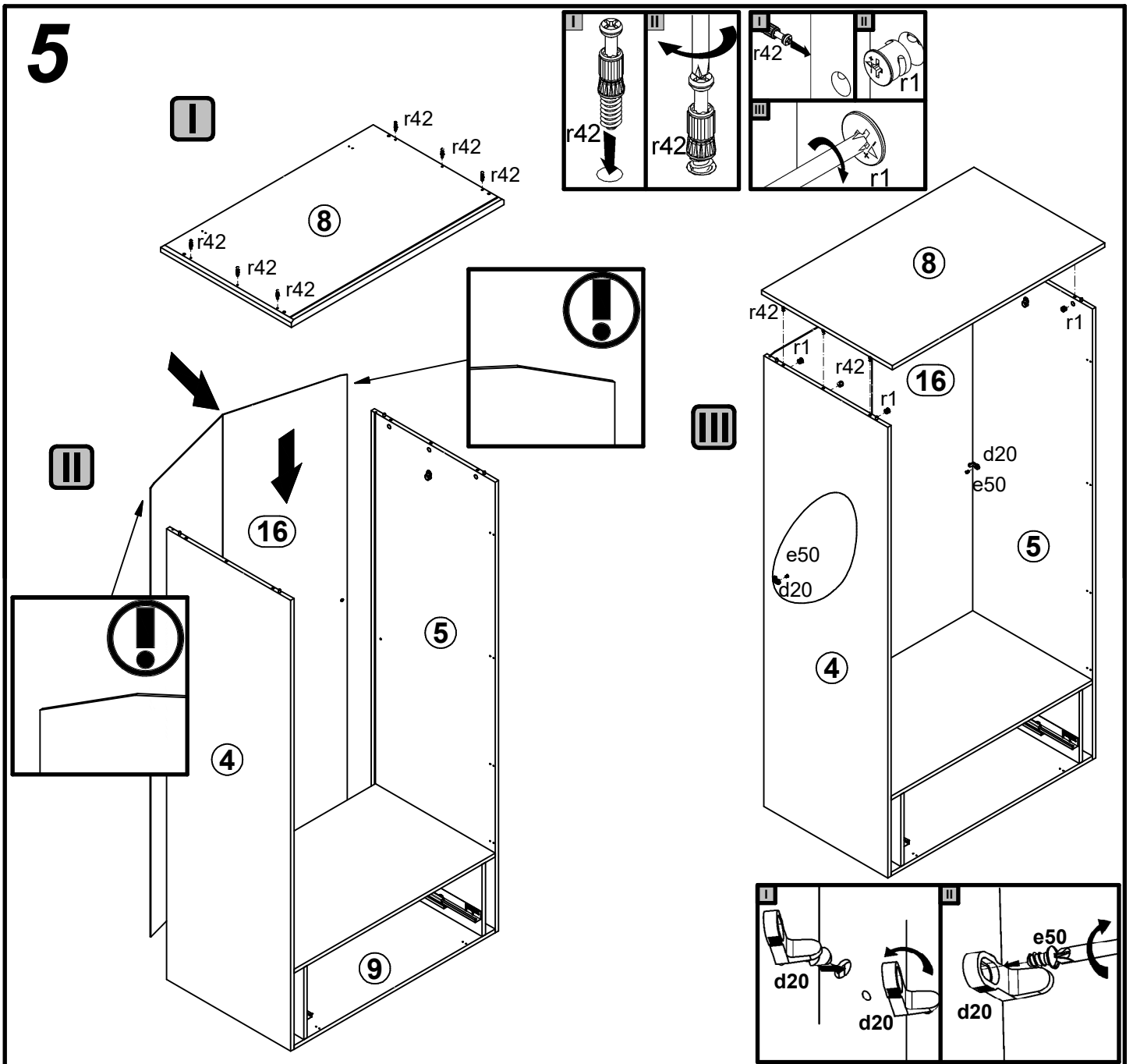
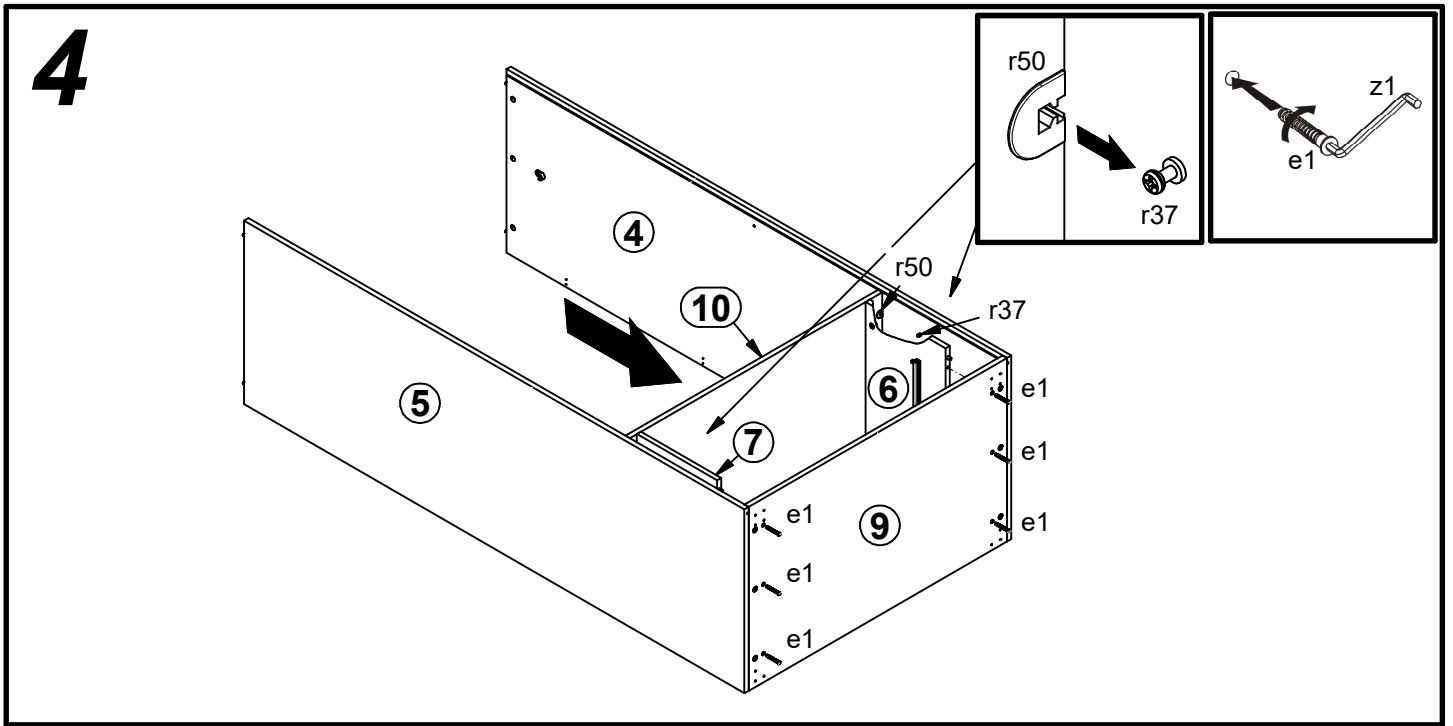


2

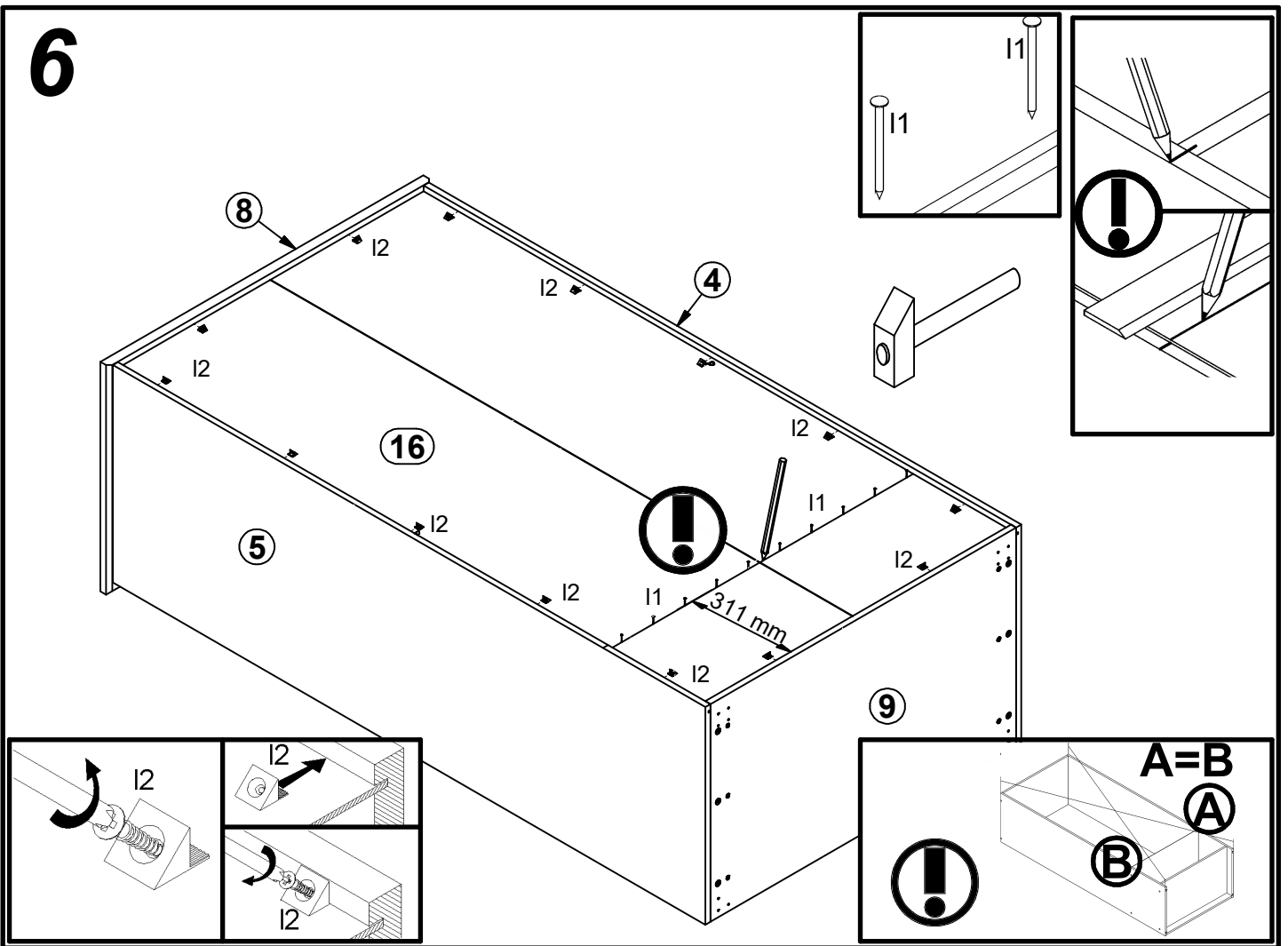


3

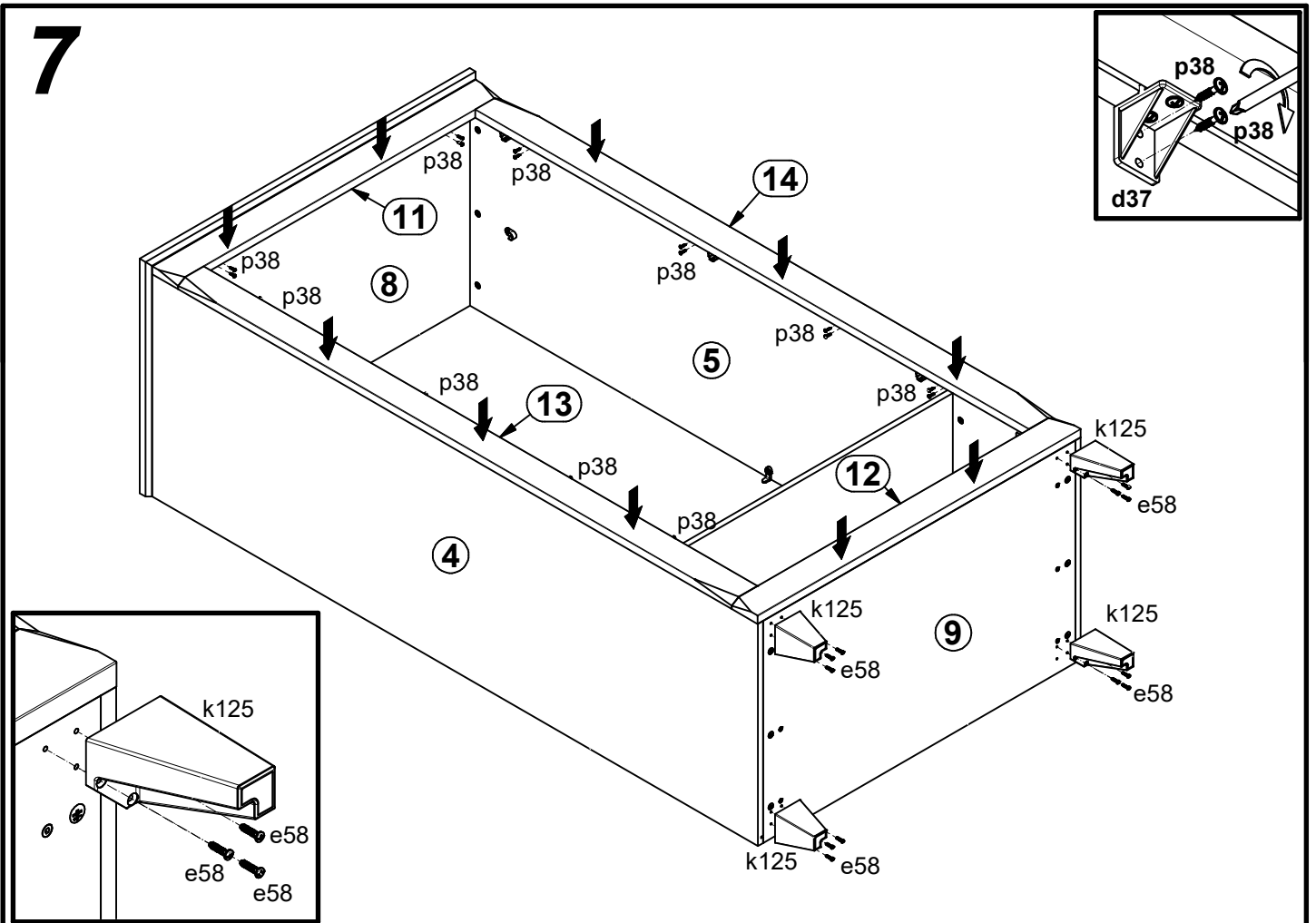




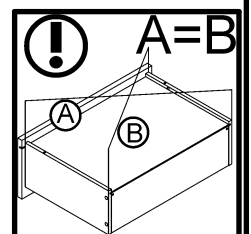
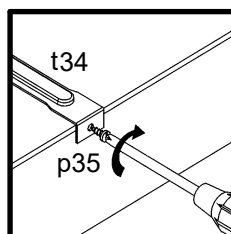
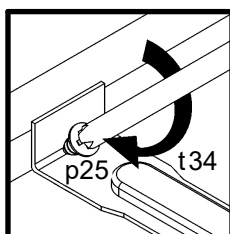
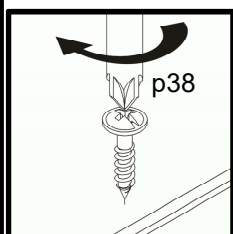
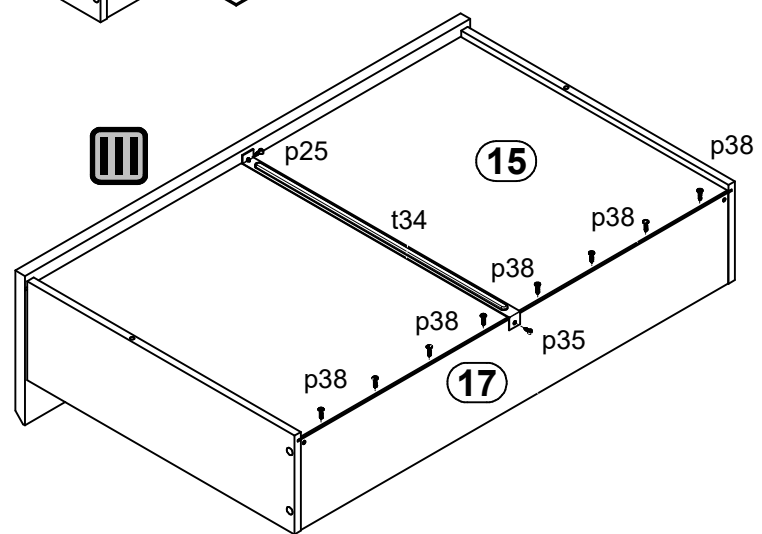
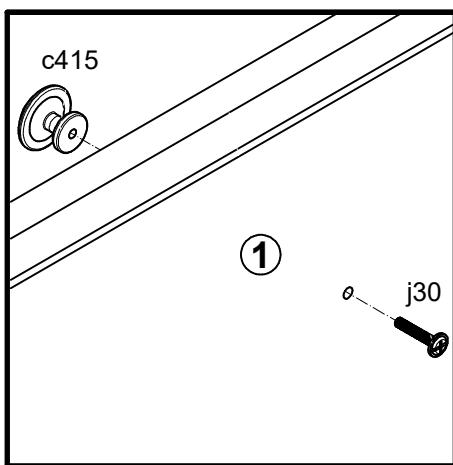
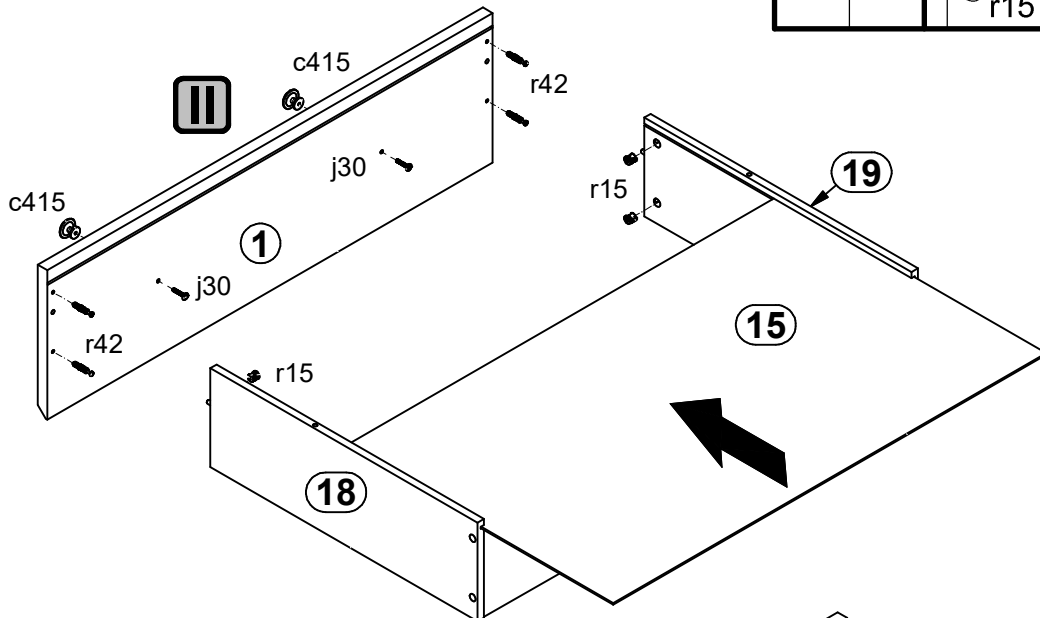
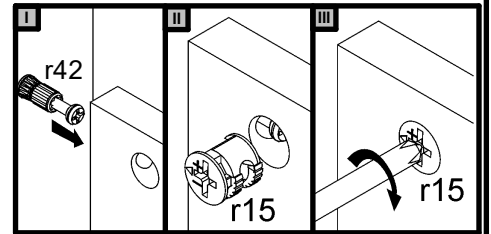
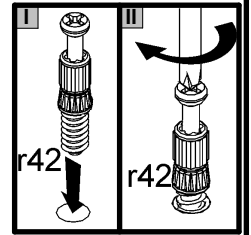
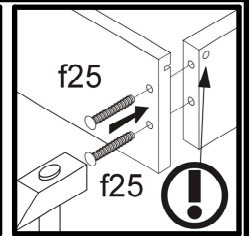
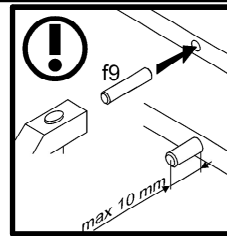
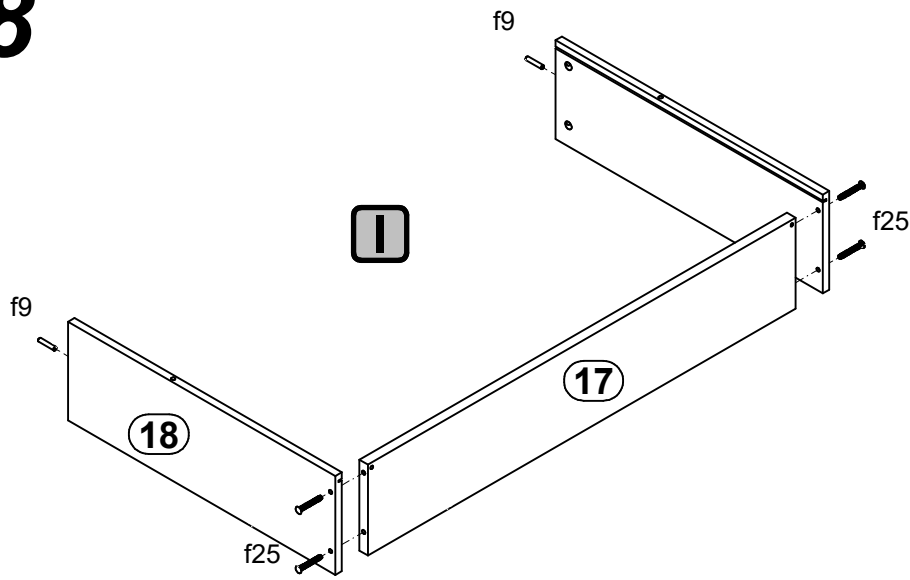
6



7



8



9

