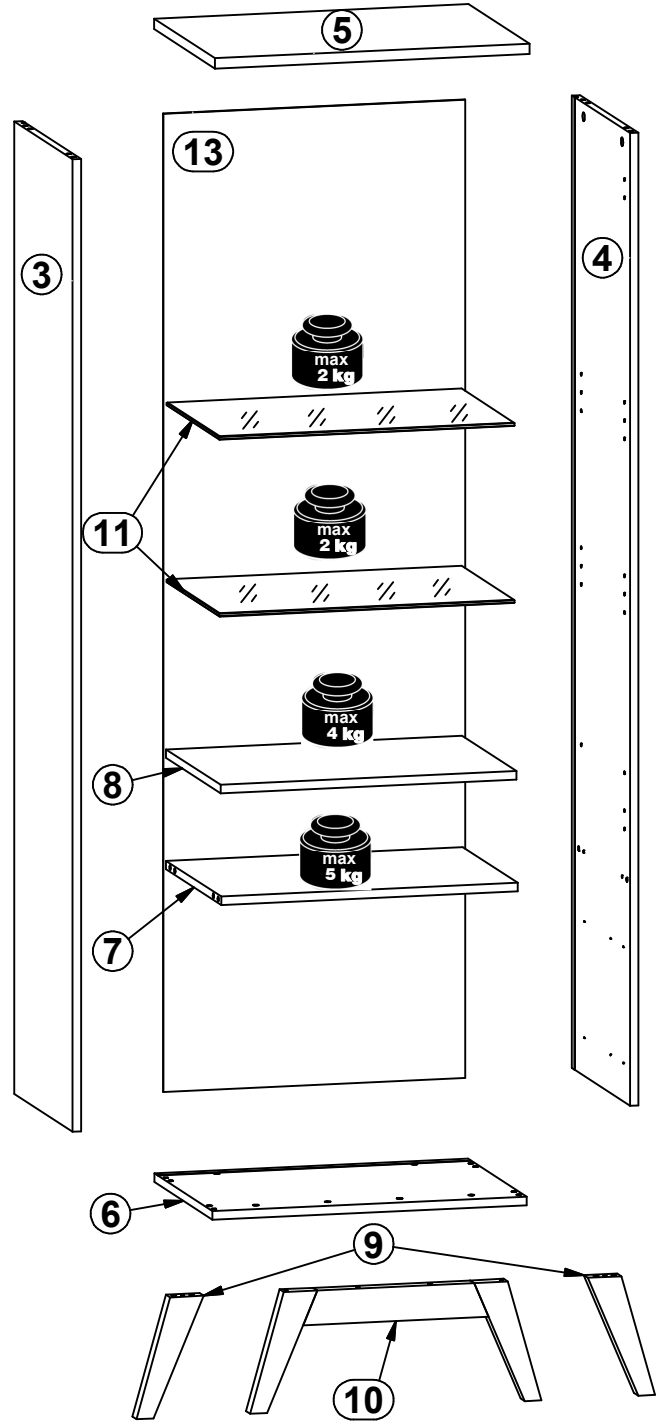
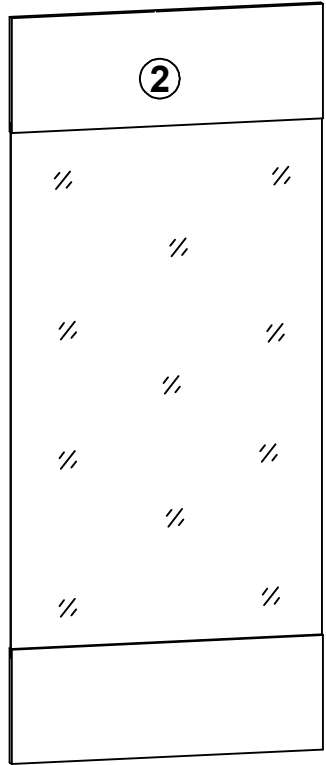
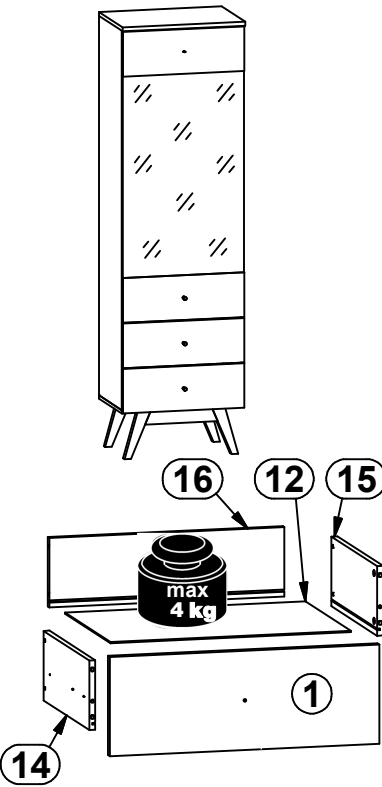
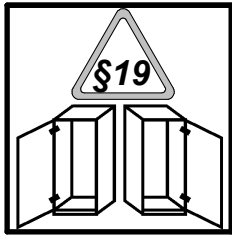
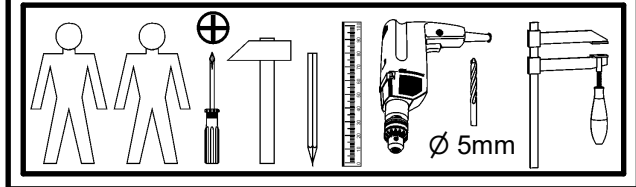


A

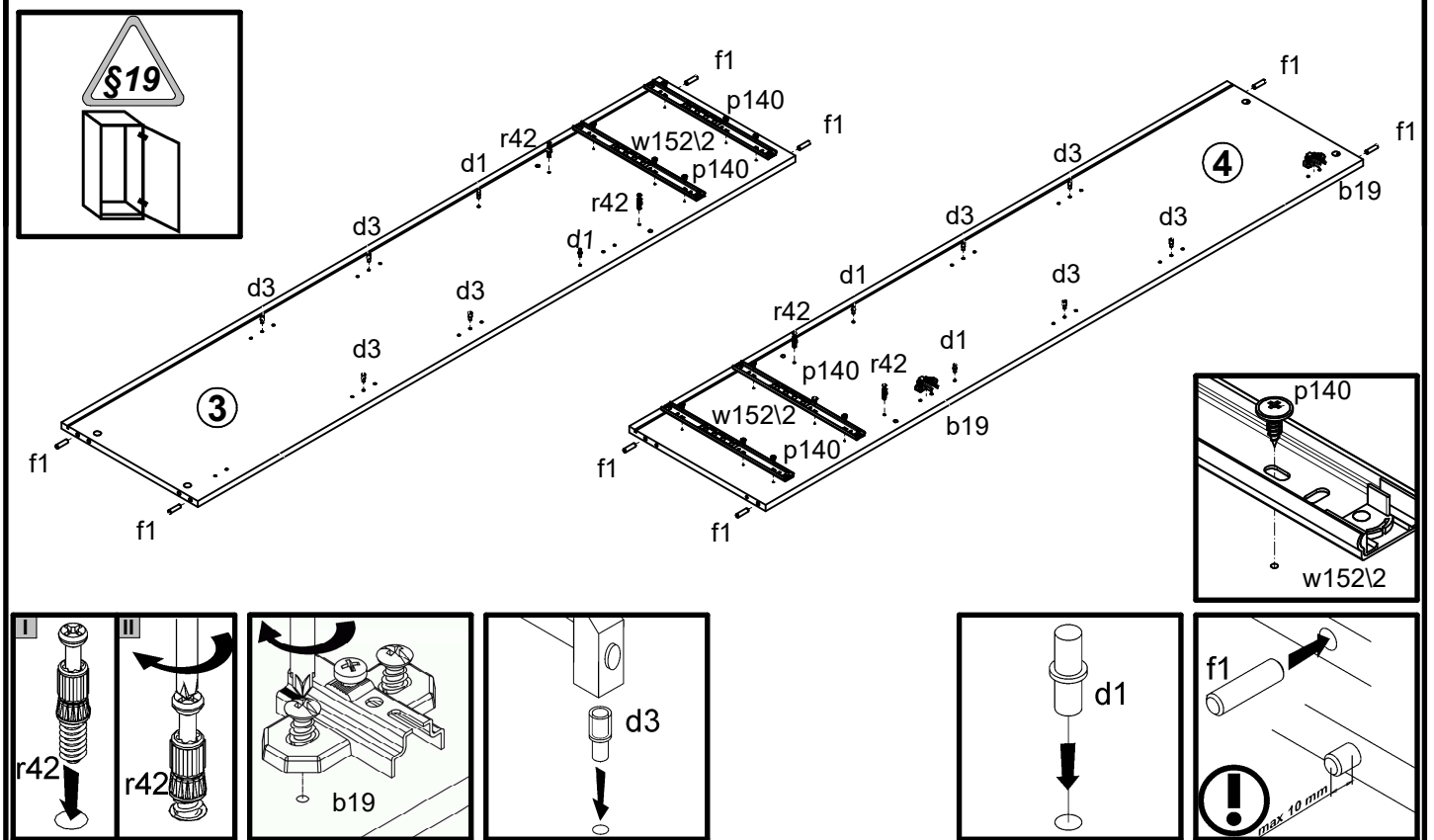
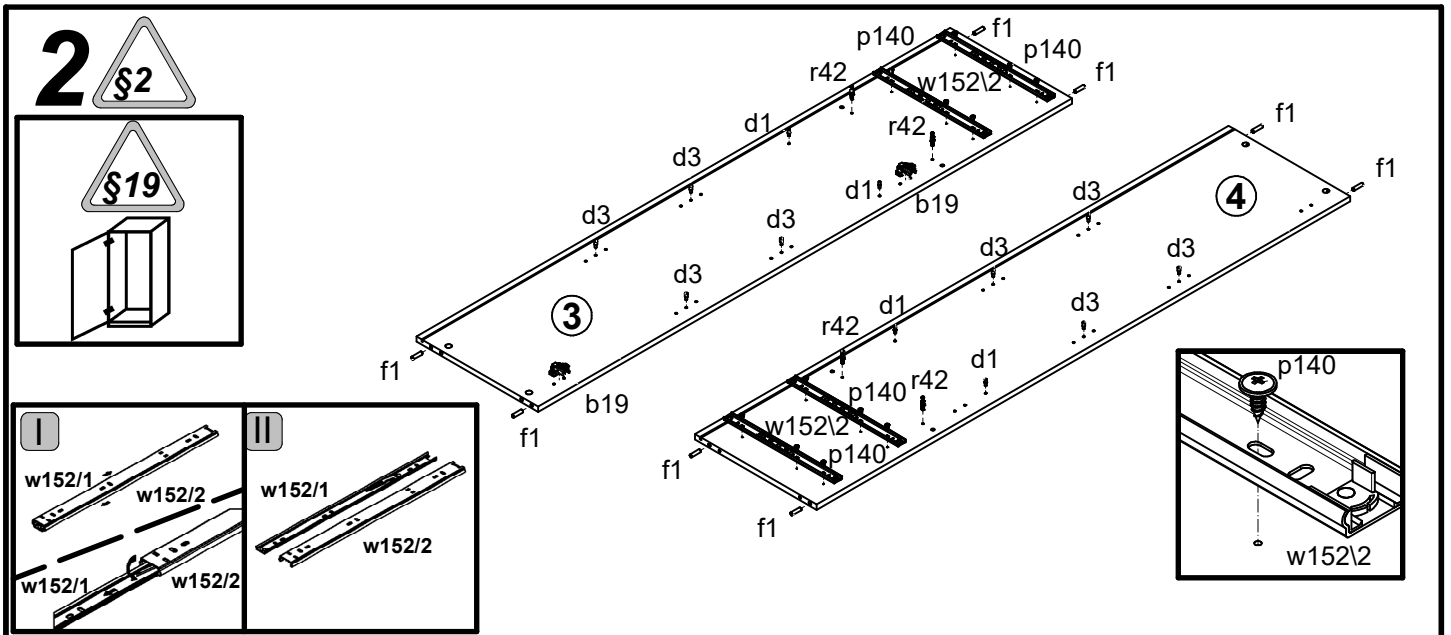
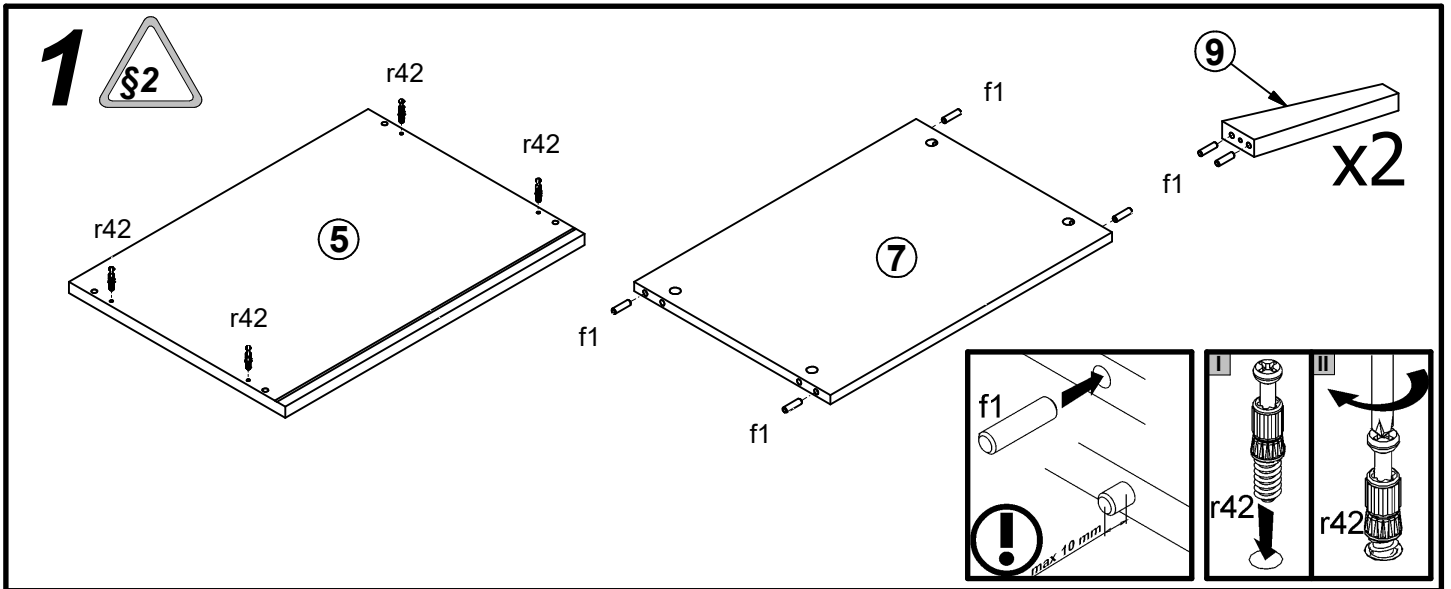
HEDA

S385-REG1W2S

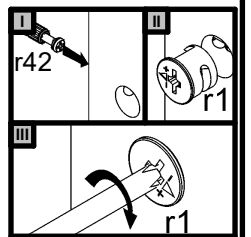
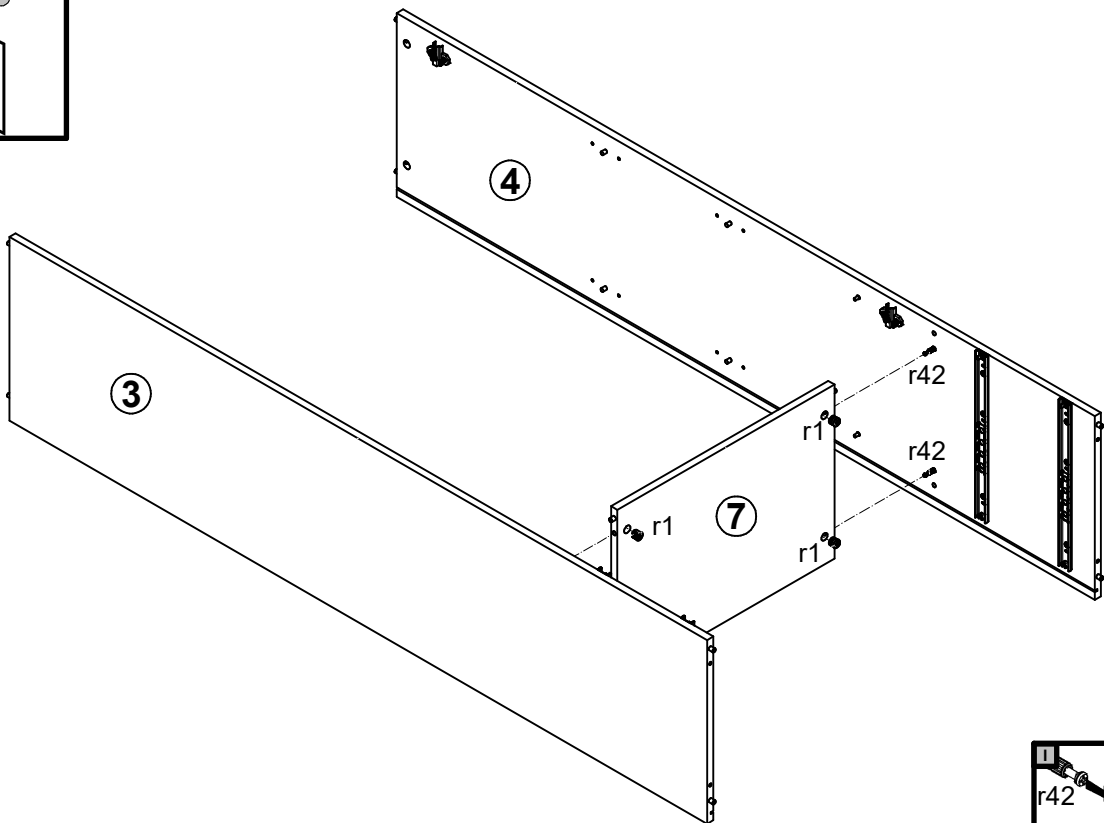
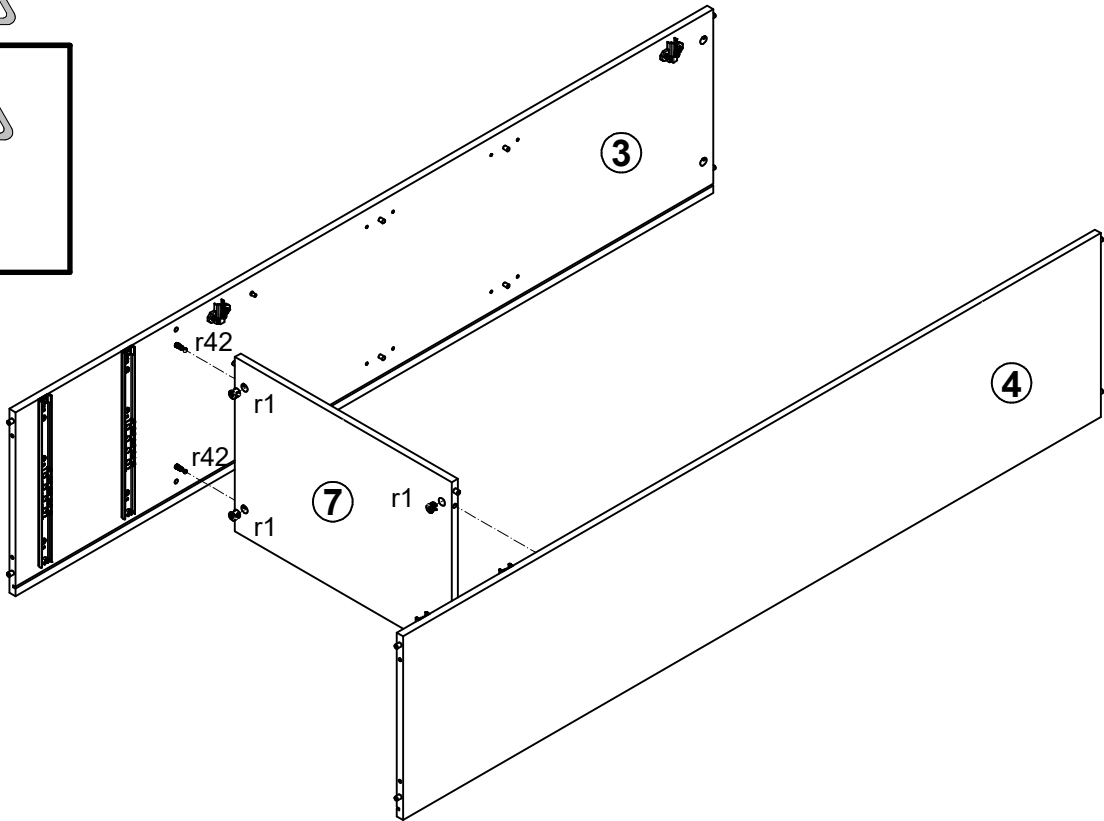
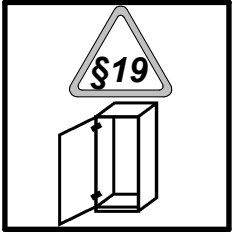
A	B	C	D	
1	S385-0007	554	200	2/2
2	S385-0012	1302	554	2/2
3	S385-1020	1698	387	2/2
4	S385-1021	1698	387	2/2
5	S385-2009	560	405	1/2
6	S385-2010	559	387	1/2
7	S385-3004	528	367	1/2
8	S385-3007	527	362	1/2
9	S385-5003	210	57,7	1/2
10	S385-5005	519	210	1/2
11	S385-5011	526	350	1/2
12	S385-9008	494	348	2/2
13	S385-9012	1708	538	2/2
14	ZK1-521	350	140	1/2
15	ZK1-522	350	140	1/2
16	ZS4-5515	483	140	1/2



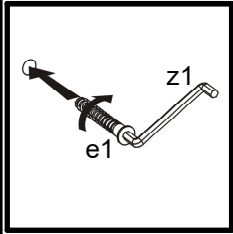
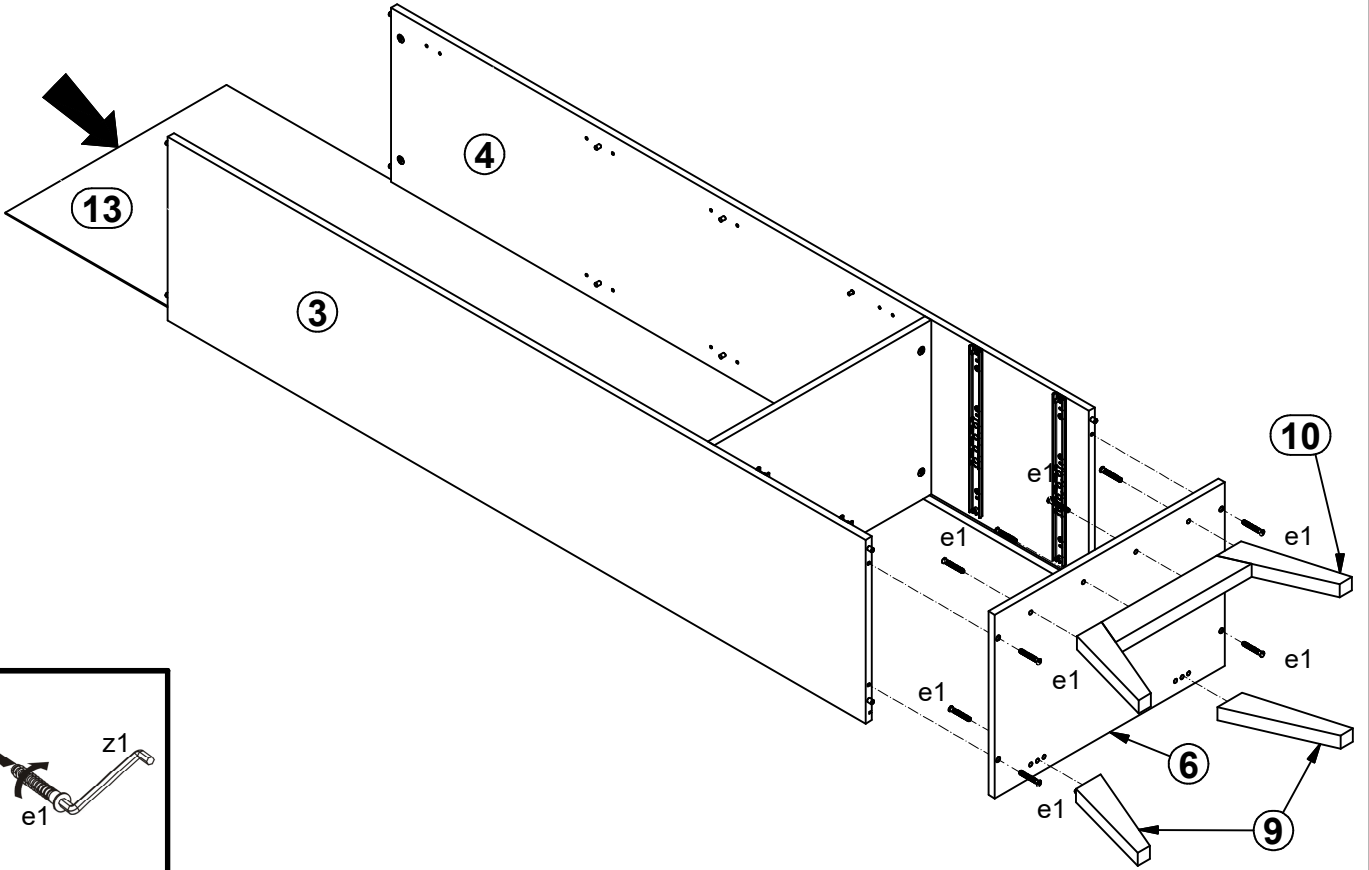
2x a44	2x b19	3x c472	4x d1 Ø5x17 mm	8x d3 Ø5x17 mm	10x e1 Ø7x50 mm	16x f1 Ø8x30 mm	8x f25 Ø6,5x40 mm	4x f9 Ø6x30 mm		
5x l1	14x l2	4x p51 Ø3,5x15 mm	3x p78 Ø3,5x30 mm	24x p140 Ø3,5x12 mm	8x r1 Ø15x12 mm #16	8x r15 Ø12x10,5 mm #12	16x r42 20x11	4x w152/1 350/580 mm		
4x w152/2 350/580 mm	4x s2 Ø16	1x z1 4 mm							1x n26/1	1x p38 Ø3,5x16 mm



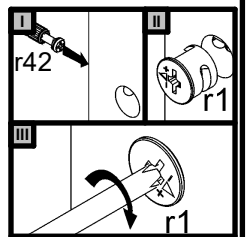
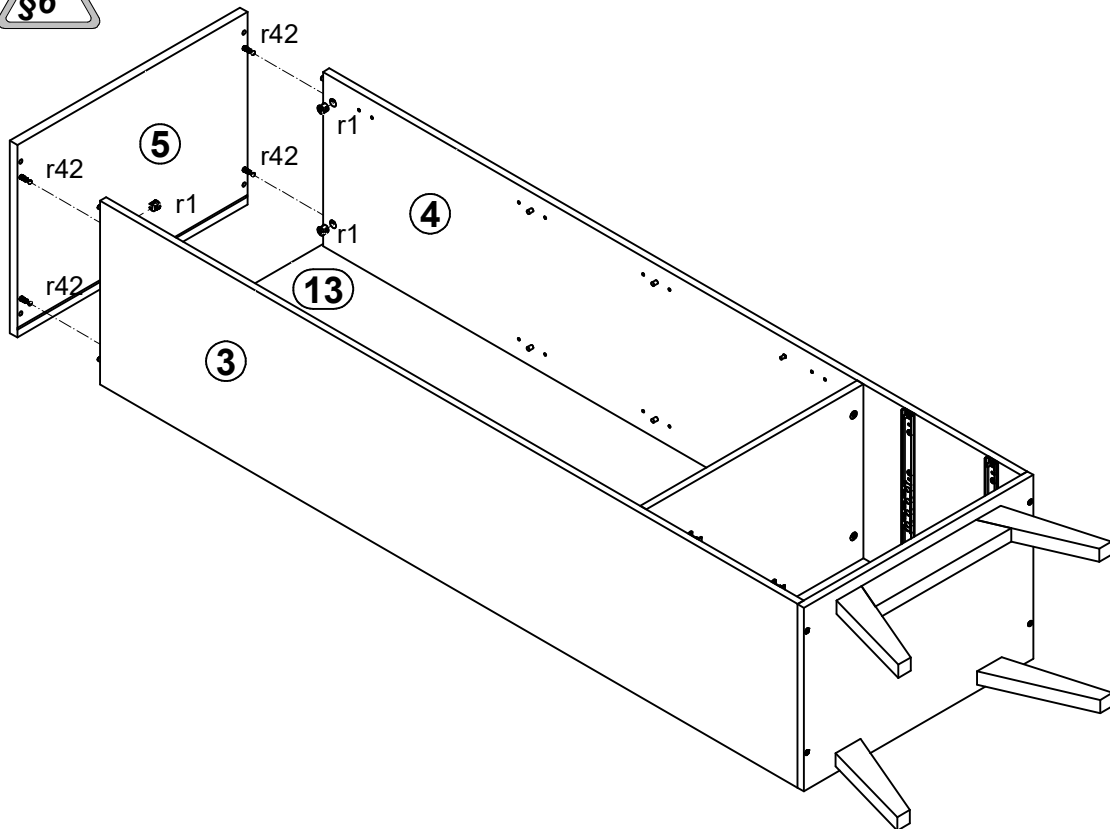
3 §6



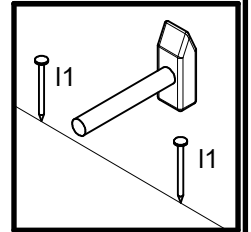
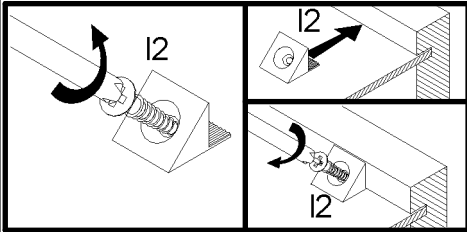
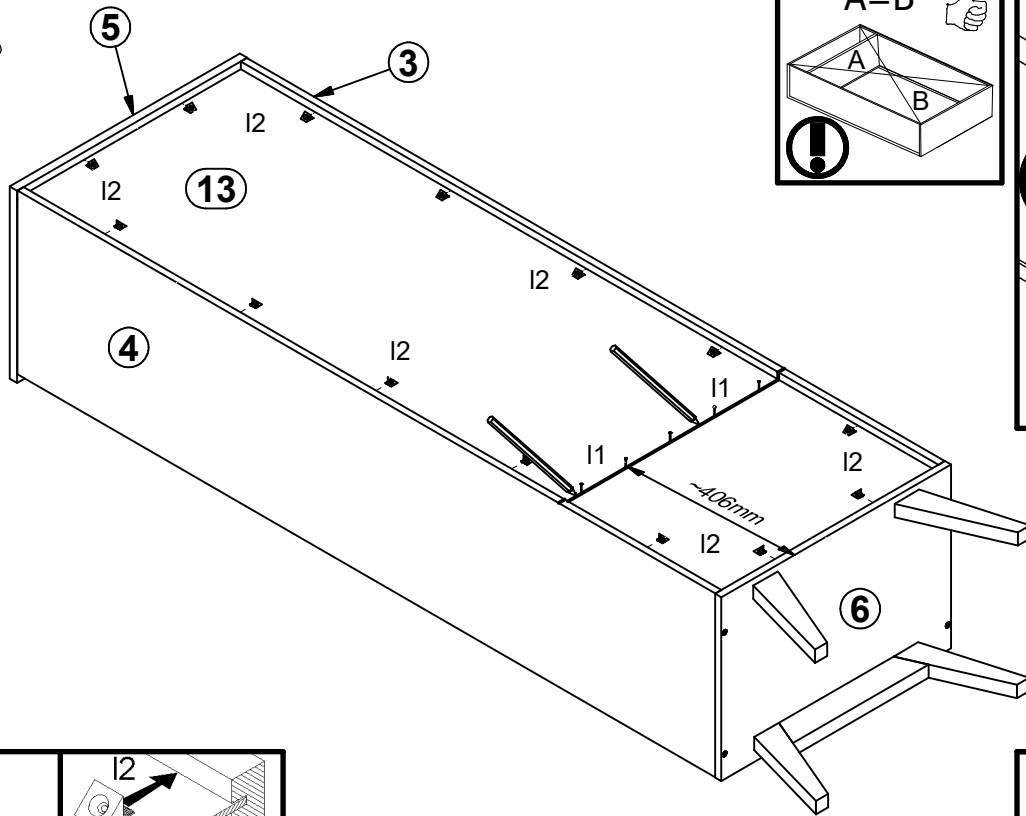
4 §6



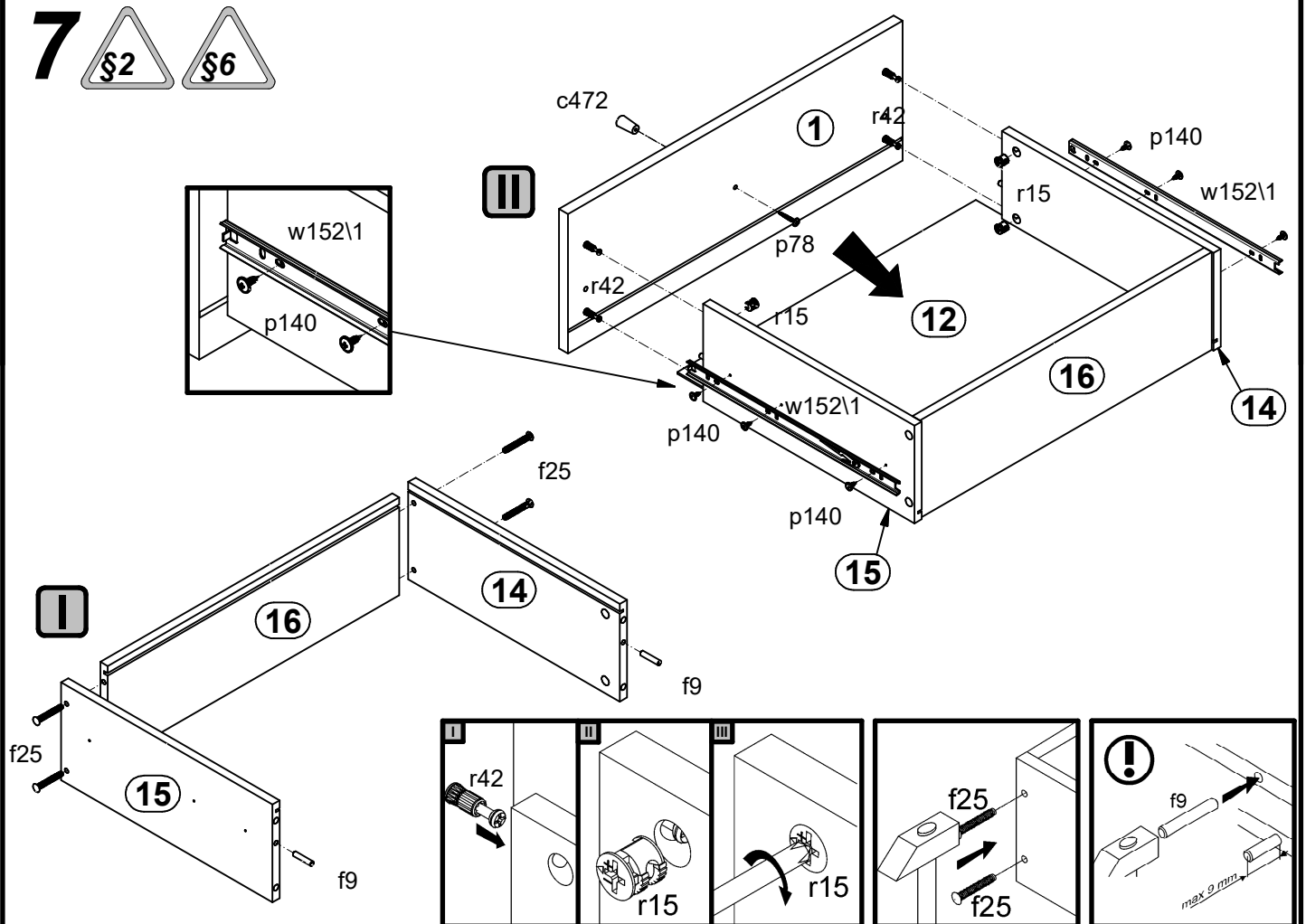
5 §6



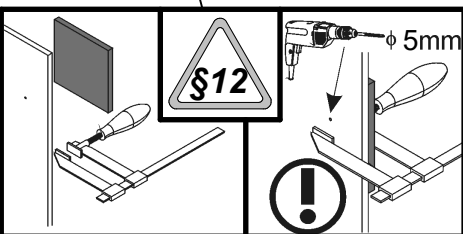
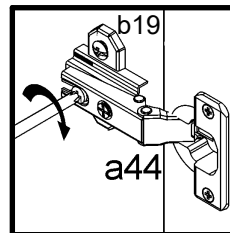
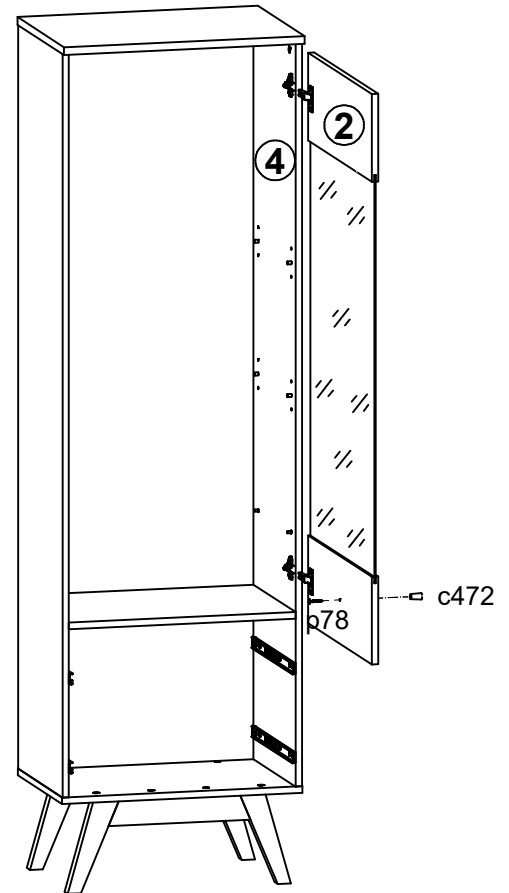
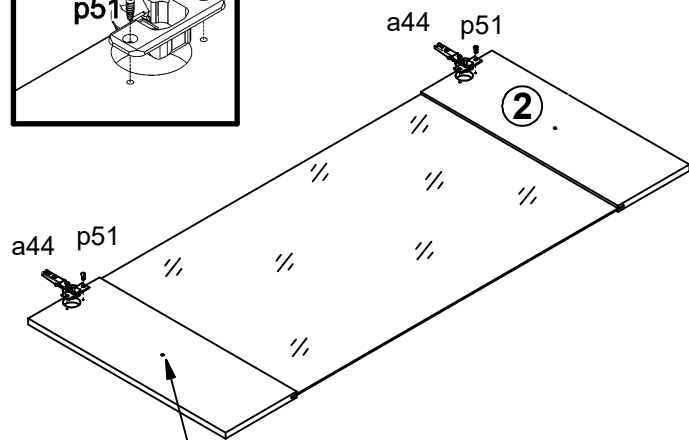
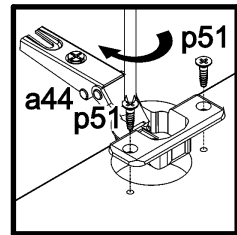
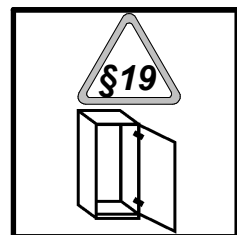
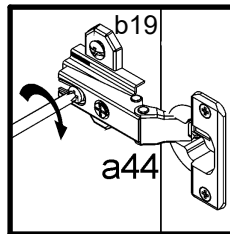
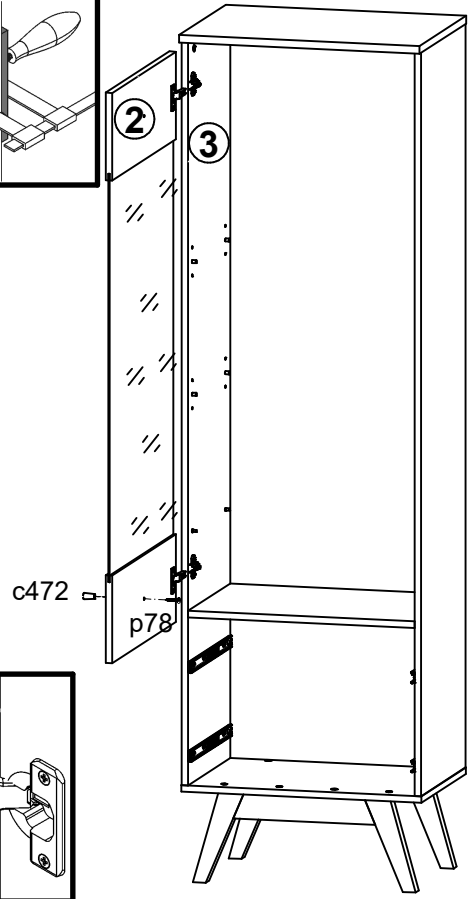
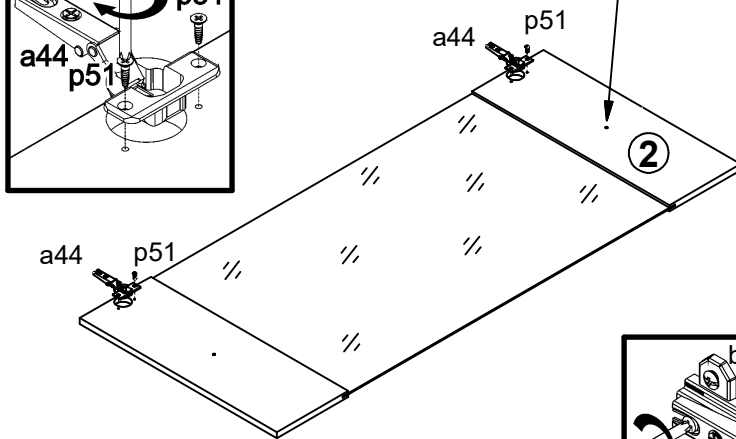
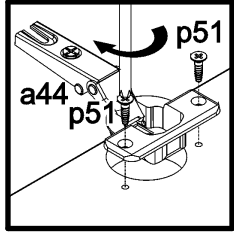
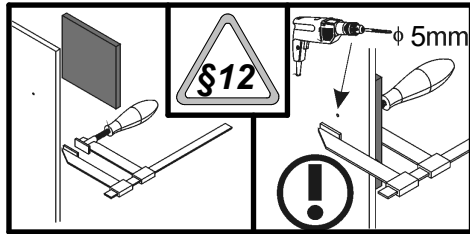
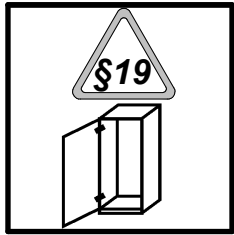
6



7



8 §6 §11



9

