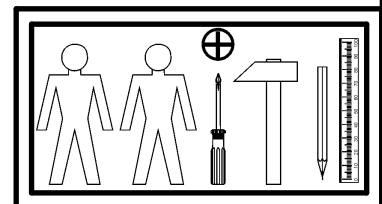
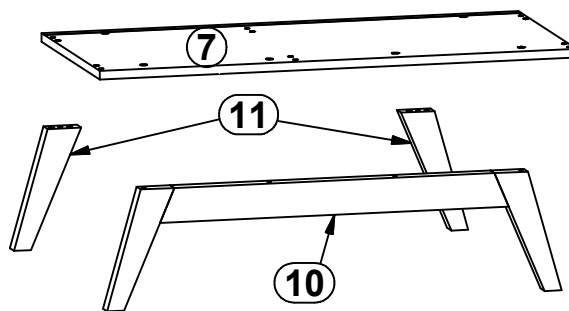
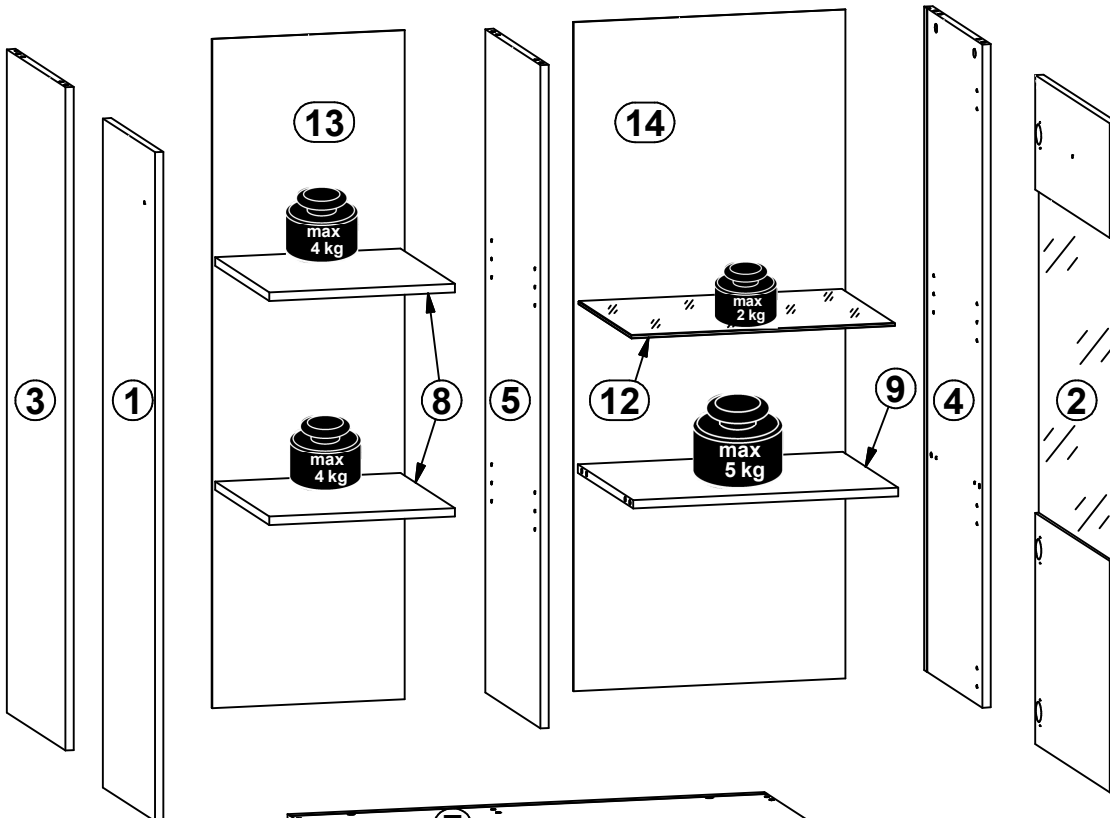
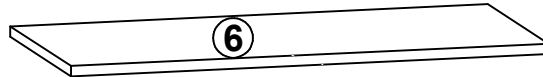
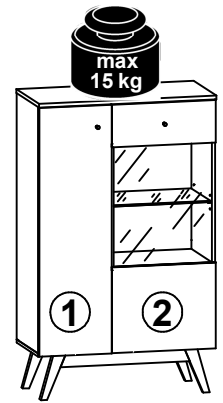


A

HEDA

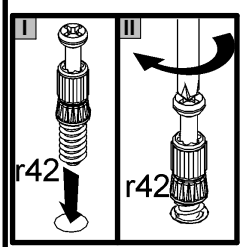
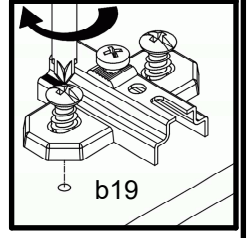
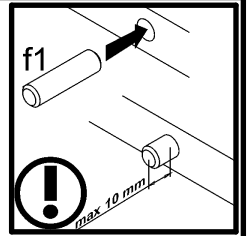
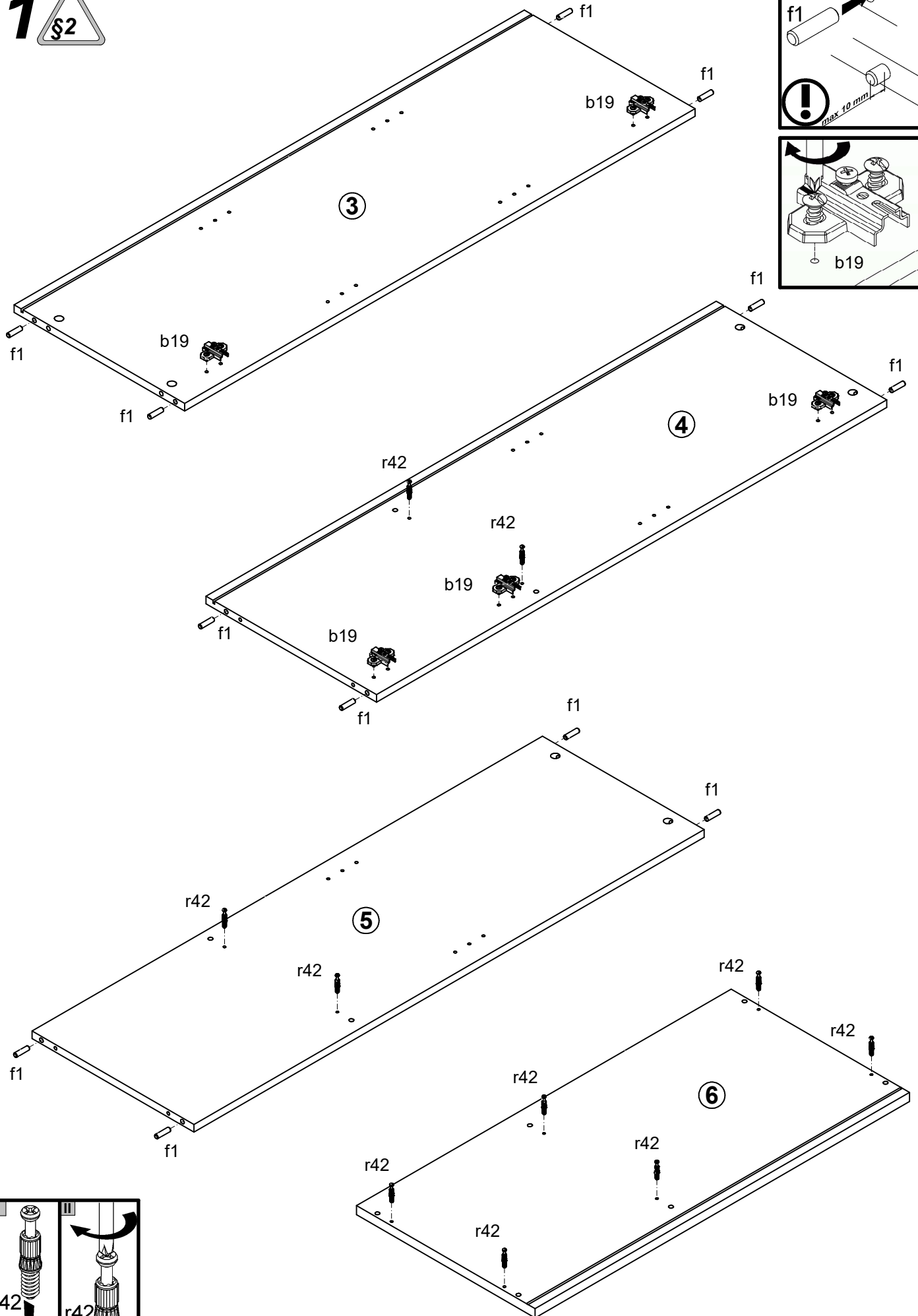
S385-REG1D1W

A	B	C		D	A	B	C		D
1	S385-0010	1168	346	3/3	8	S385-3006	330	360	2/3
2	S385-0011	1168	496	3/3	9	S385-3008	472	367	2/3
3	S385-1017	1158	387	1/3	10	S385-5002	809	210	2/3
4	S385-1018	1158	387	1/3	11	S385-5003	210	58	2/3
5	S385-1019	1158	367	1/3	12	S385-5009	470	350	2/3
6	S385-2013	850	405	2/3	13	S385-9007	1168	343	3/3
7	S385-2014	849	387	2/3	14	S385-9013	1168	484	3/3

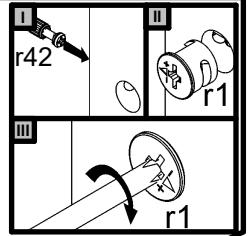
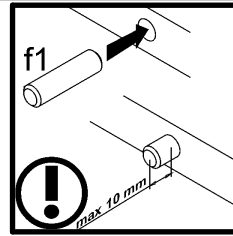
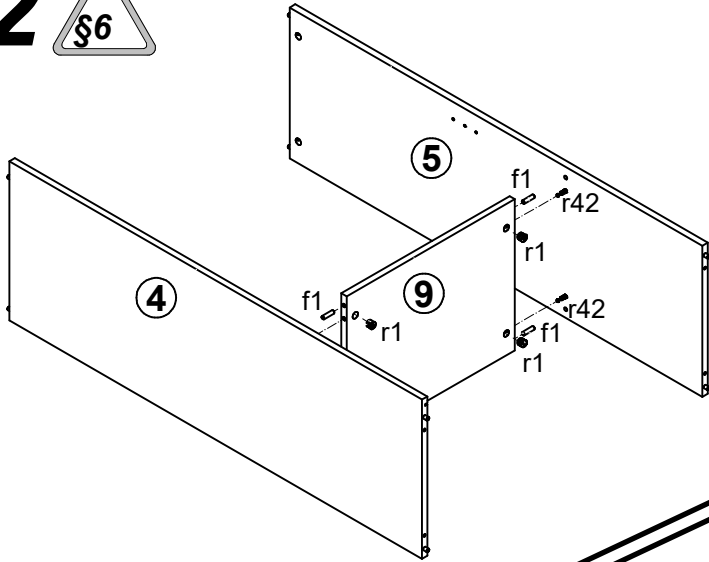


5x a44	5x b19	2x c472	8x d1 Ø5x17 mm	4x d3 Ø5x17 mm	12x e1 Ø7x50 mm	20x f1 Ø8x30 mm	25x l1	14x l2
10x p51 Ø3.5x15 mm	2x p78 Ø3.5x30 mm	10x r1 Ø15x12 mm #16	10x r42 20/11	6x s1	6x s2 Ø16	1x z1 4 mm	1x n26/1	1x p38 Ø3.5x16 mm

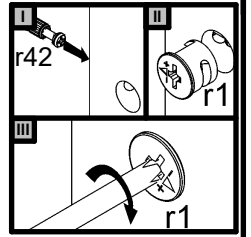
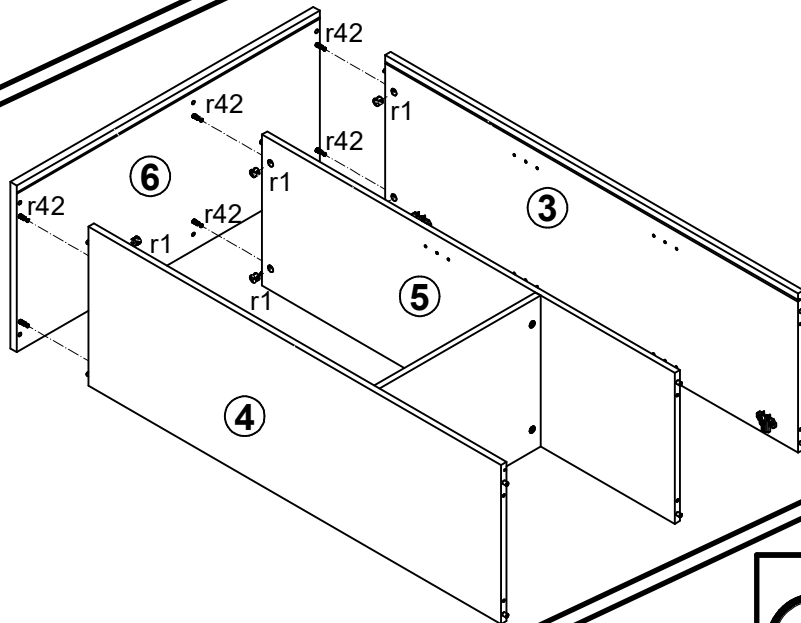
1 



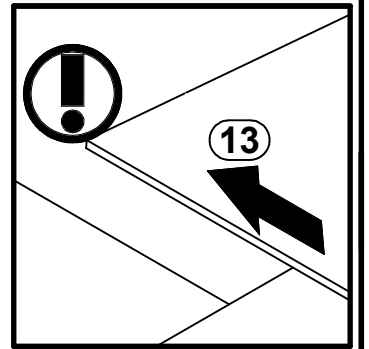
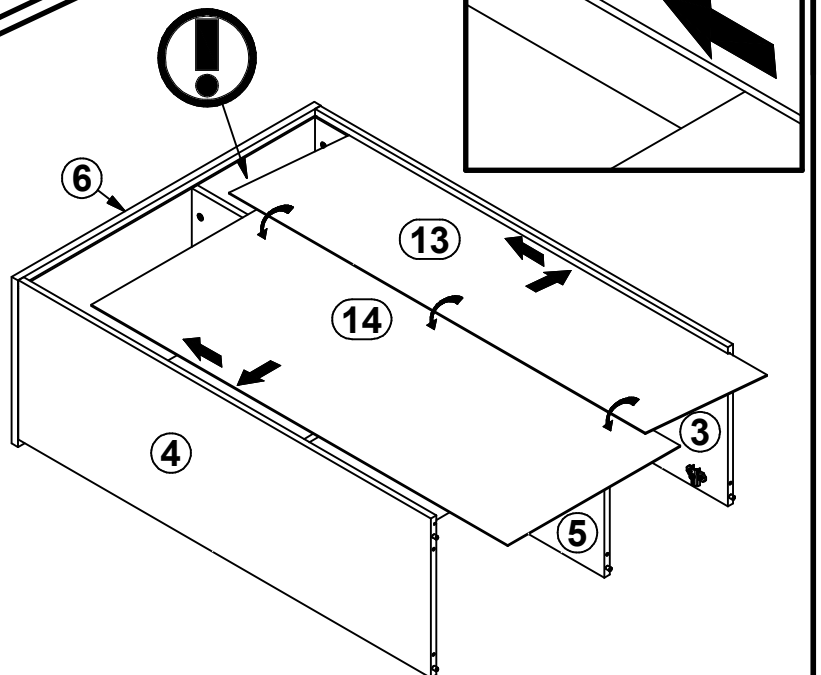
2 



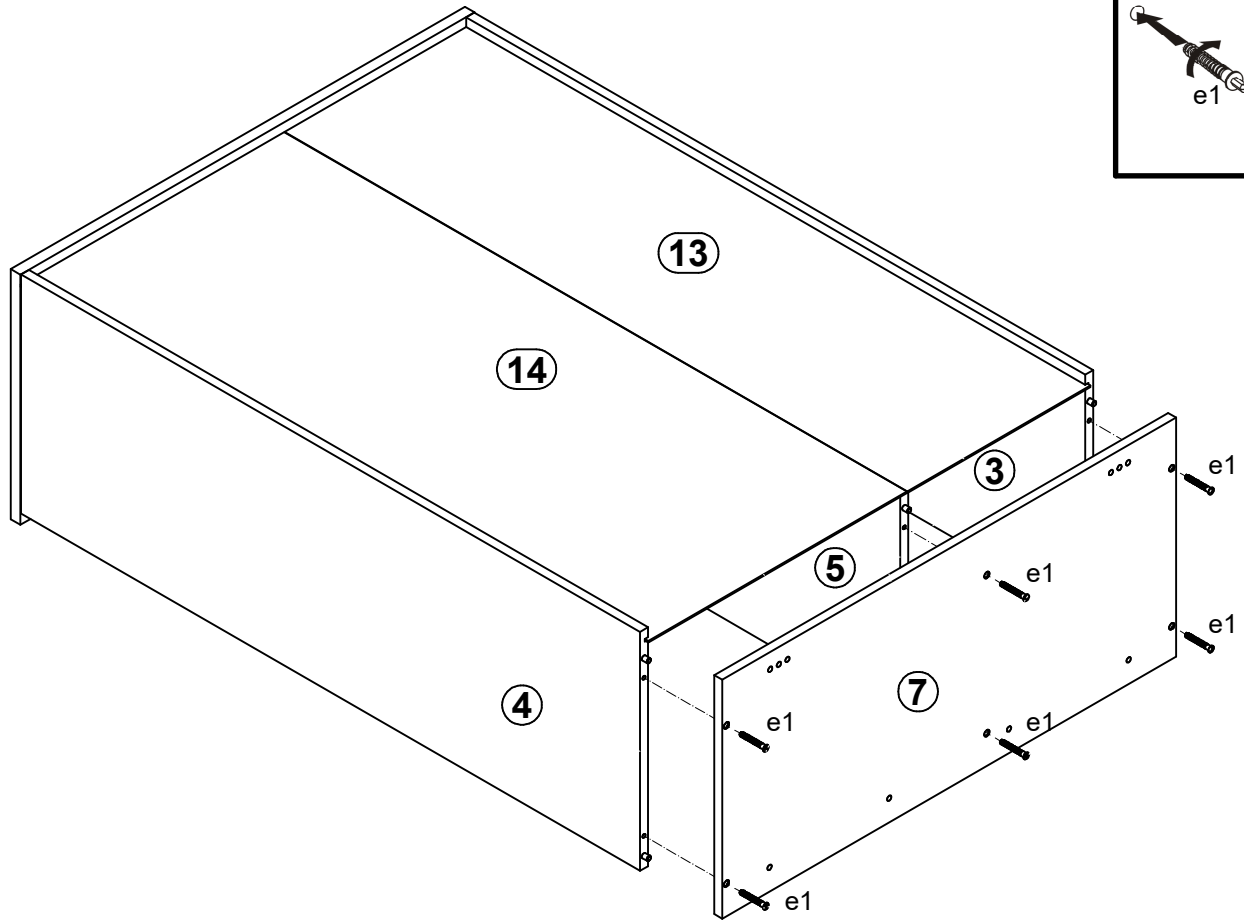
3



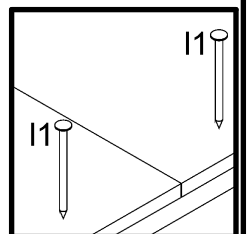
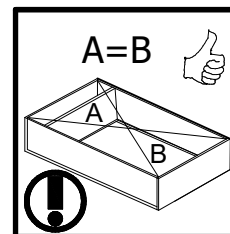
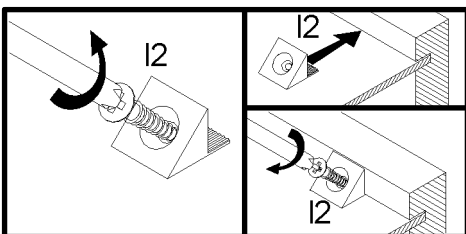
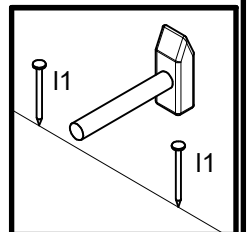
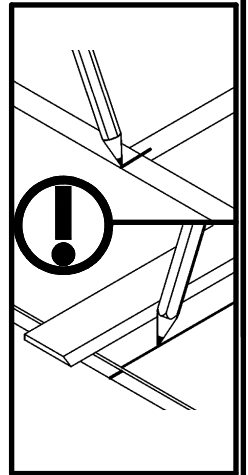
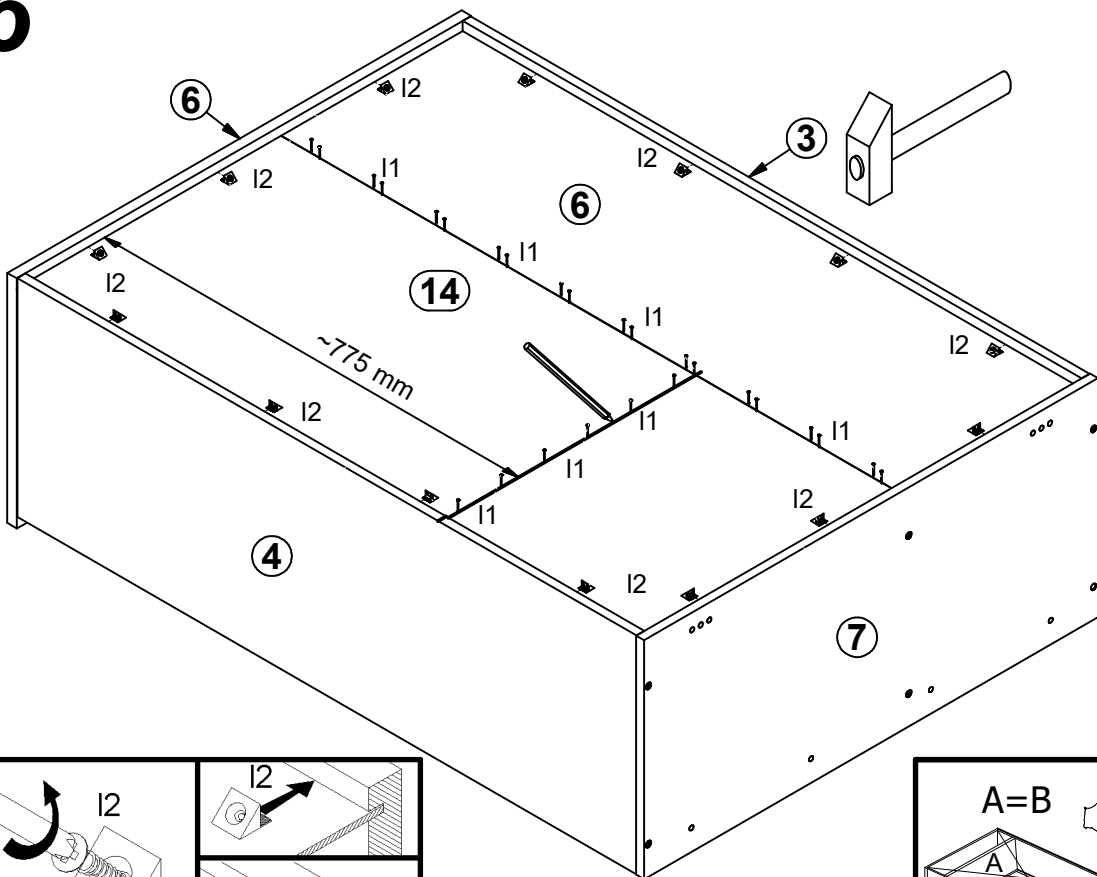
4



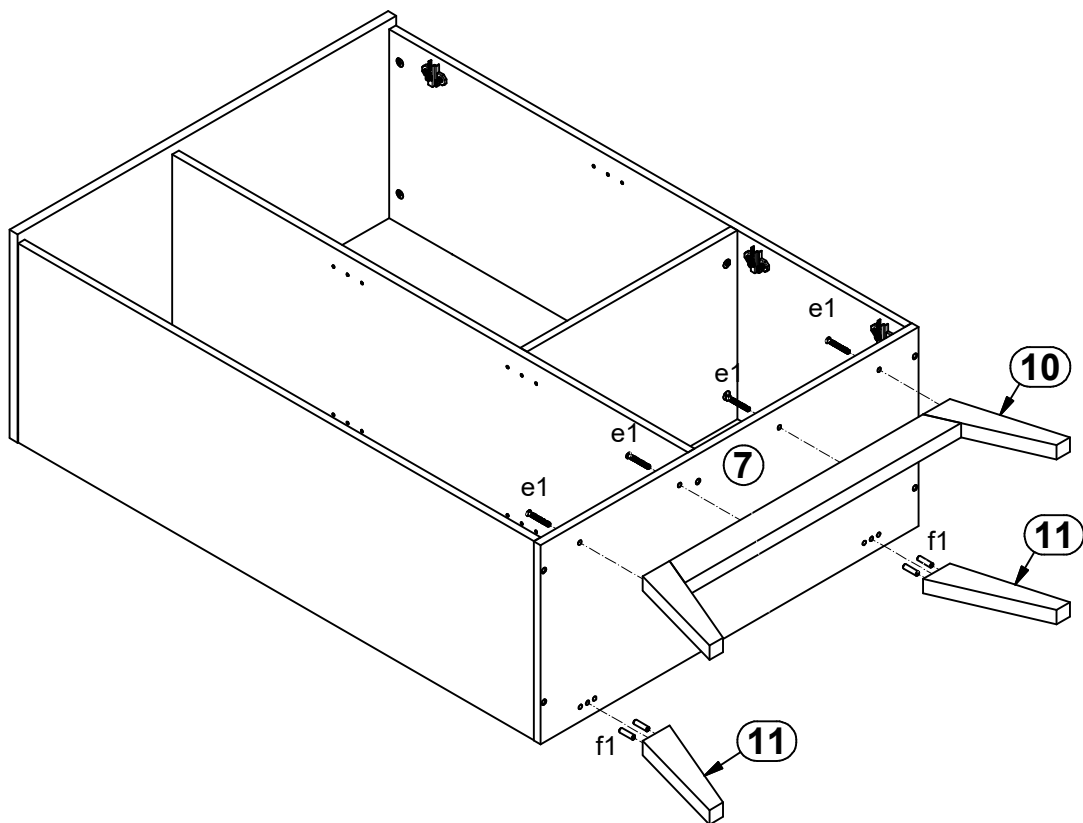
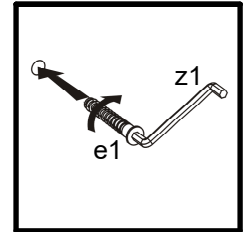
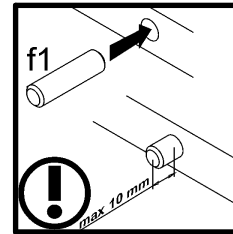
5



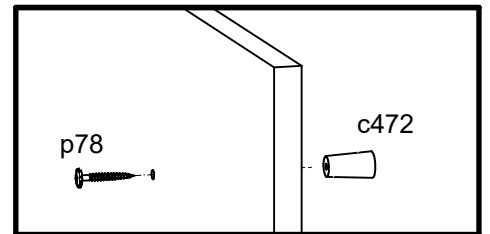
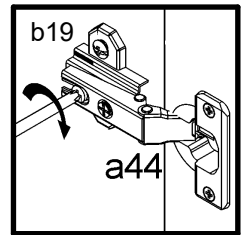
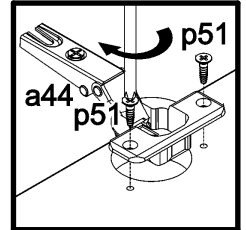
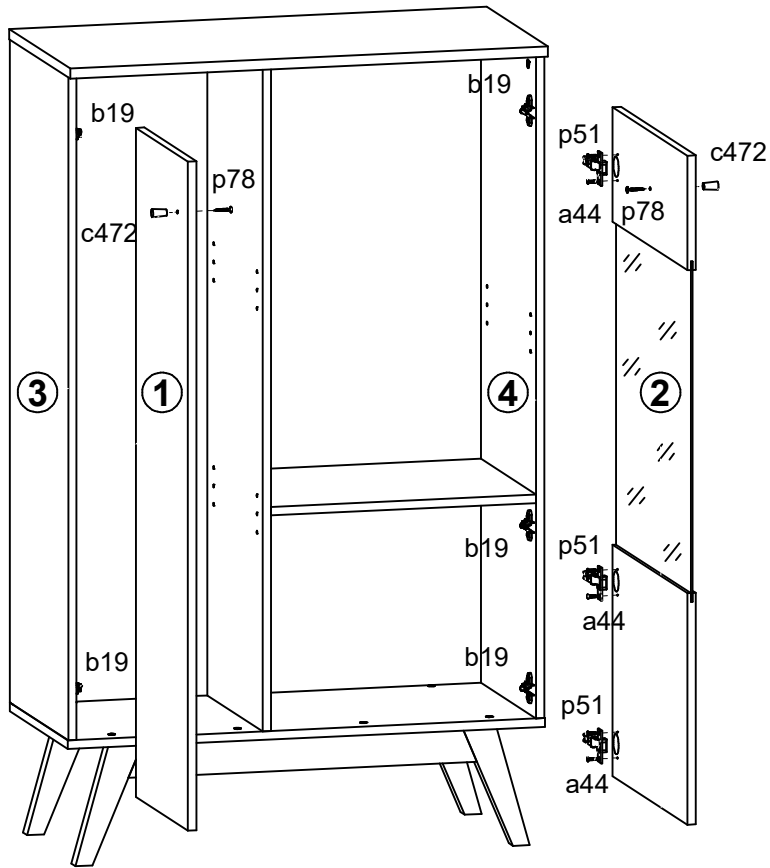
6



7



8



9

