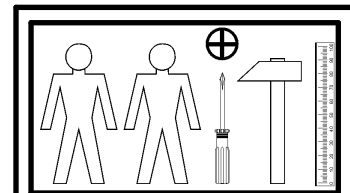
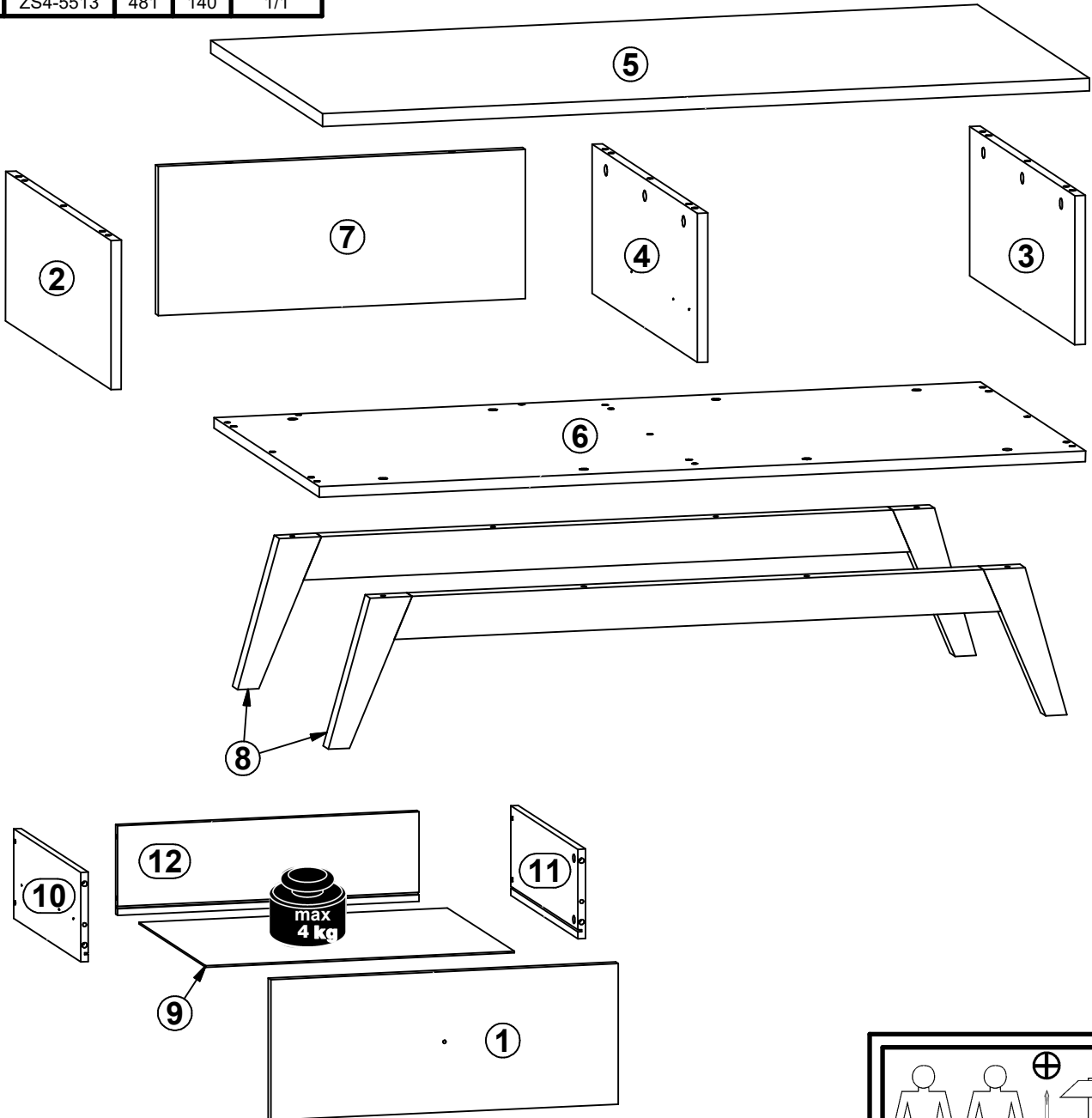
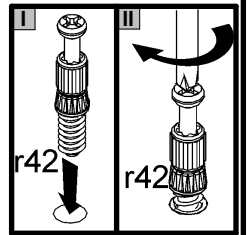
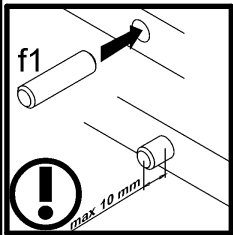
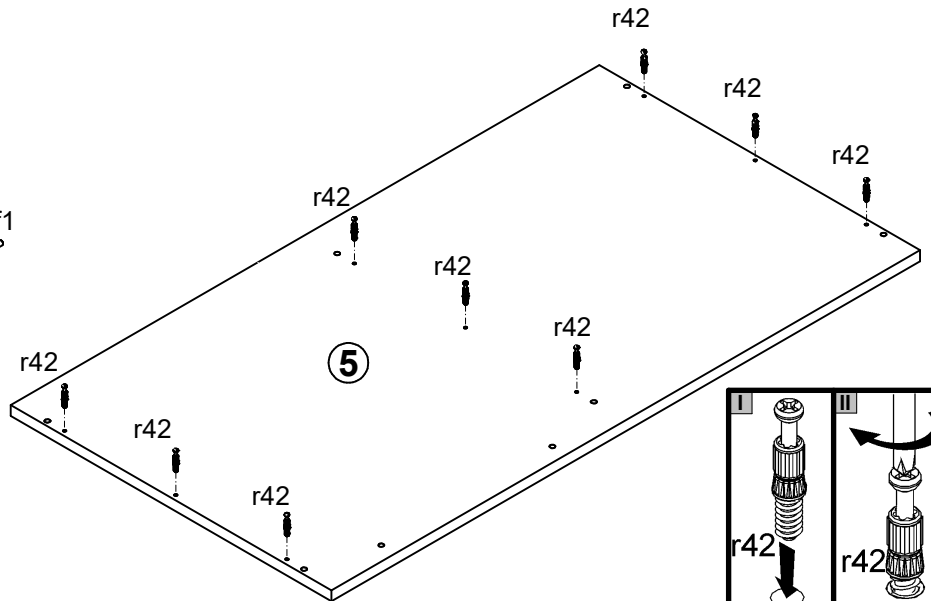
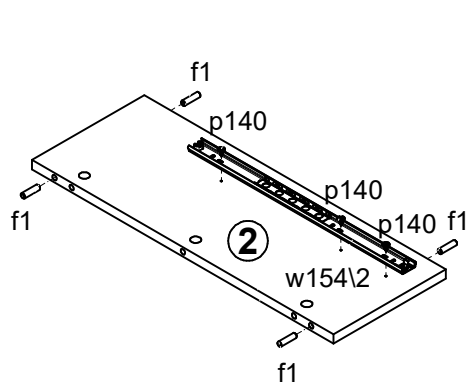
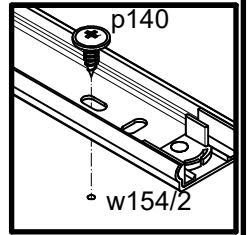
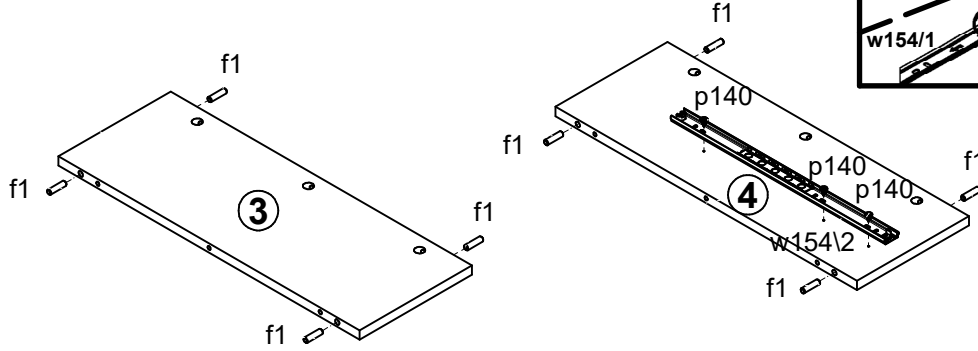
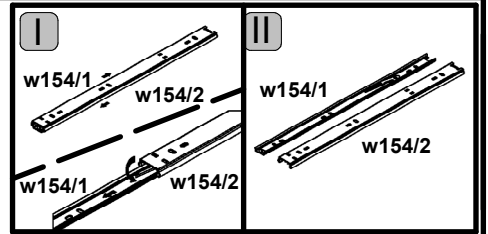


| A | B | C | D | |
|----|-----------|------|-----|-----|
| 1 | S385-0006 | 554 | 220 | 1/1 |
| 2 | S385-1009 | 210 | 564 | 1/1 |
| 3 | S385-1010 | 210 | 564 | 1/1 |
| 4 | S385-1011 | 210 | 564 | 1/1 |
| 5 | S385-2007 | 1101 | 600 | 1/1 |
| 6 | S385-2008 | 1100 | 564 | 1/1 |
| 7 | S385-4002 | 210 | 527 | 1/1 |
| 8 | S385-5004 | 1060 | 210 | 1/1 |
| 9 | S385-9009 | 492 | 398 | 1/1 |
| 10 | ZK1-523 | 400 | 140 | 1/1 |
| 11 | ZK1-524 | 400 | 140 | 1/1 |
| 12 | ZS4-5513 | 481 | 140 | 1/1 |

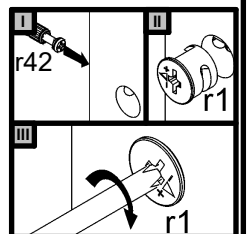
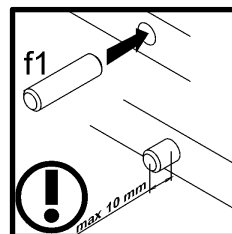
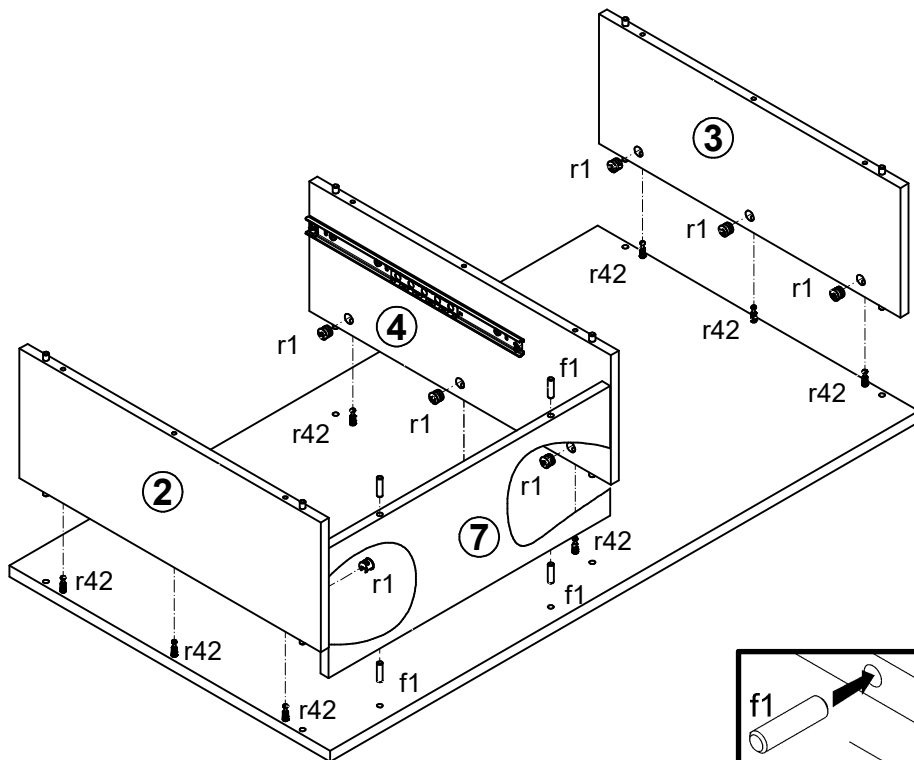


| | | | | | | | | |
|---------------------|----------------------------|----------------------------|----------------------|-------------------------|-------------------------|---------------------------|---------------------------|------------------------------|
| 1x c472 | 17x e1 Ø7x50 mm | 16x f1 Ø8x30 mm | 2x f9 Ø6x30 mm | 4x f25 Ø6,5x40 mm | 1x p78 Ø3,5x30 mm | 12x p140 Ø3,5x12 mm | 9x r1 Ø15x12 mm #16 | 4x r15 Ø12x10,5 mm #12 |
| 13x r42 20/11 | 2x w154\1 400/670 mm | 2x w154\2 400/670 mm | 4x s1 | 5x s2 Ø16 | 1x z1 4 mm | | | |

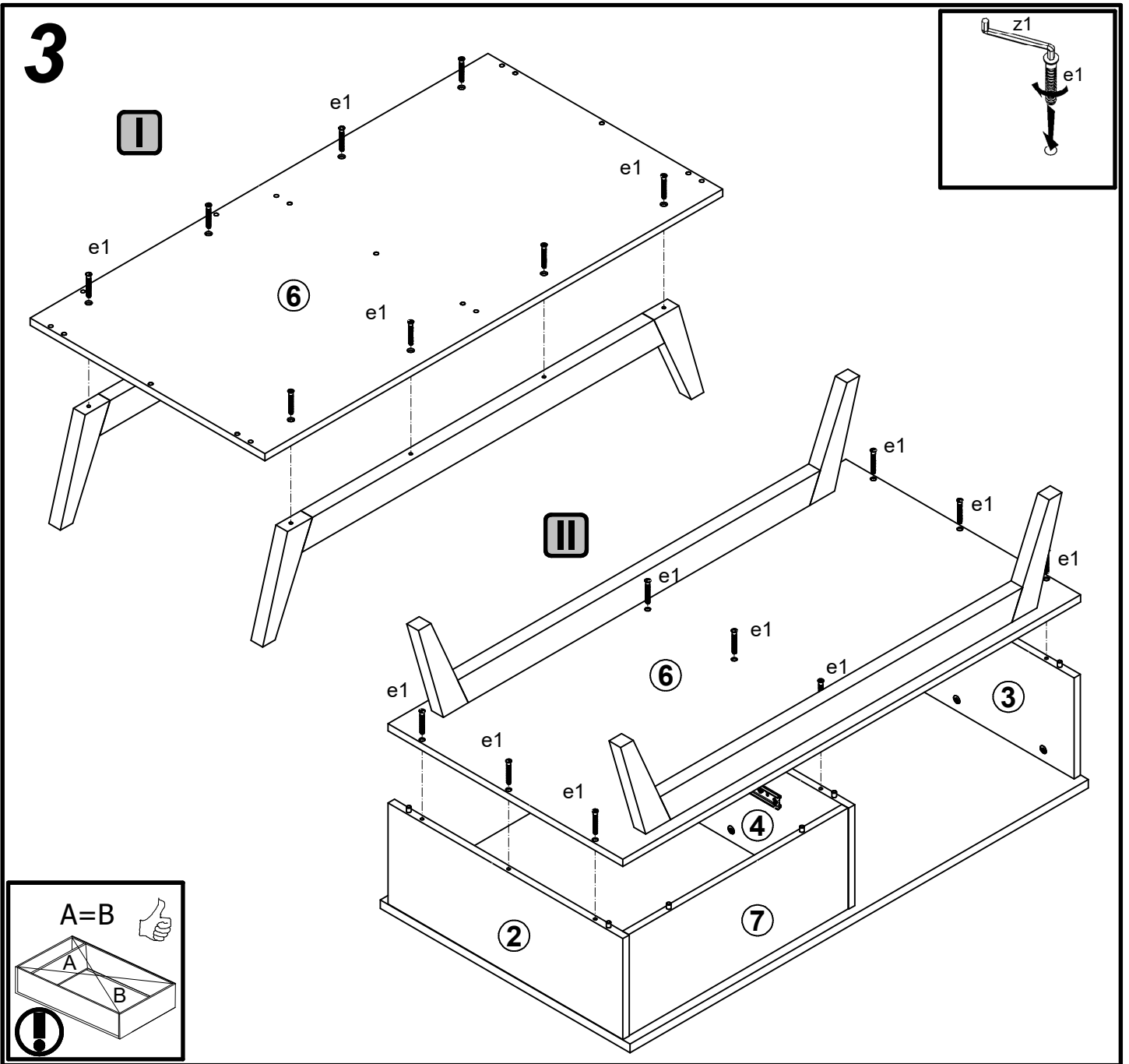
1



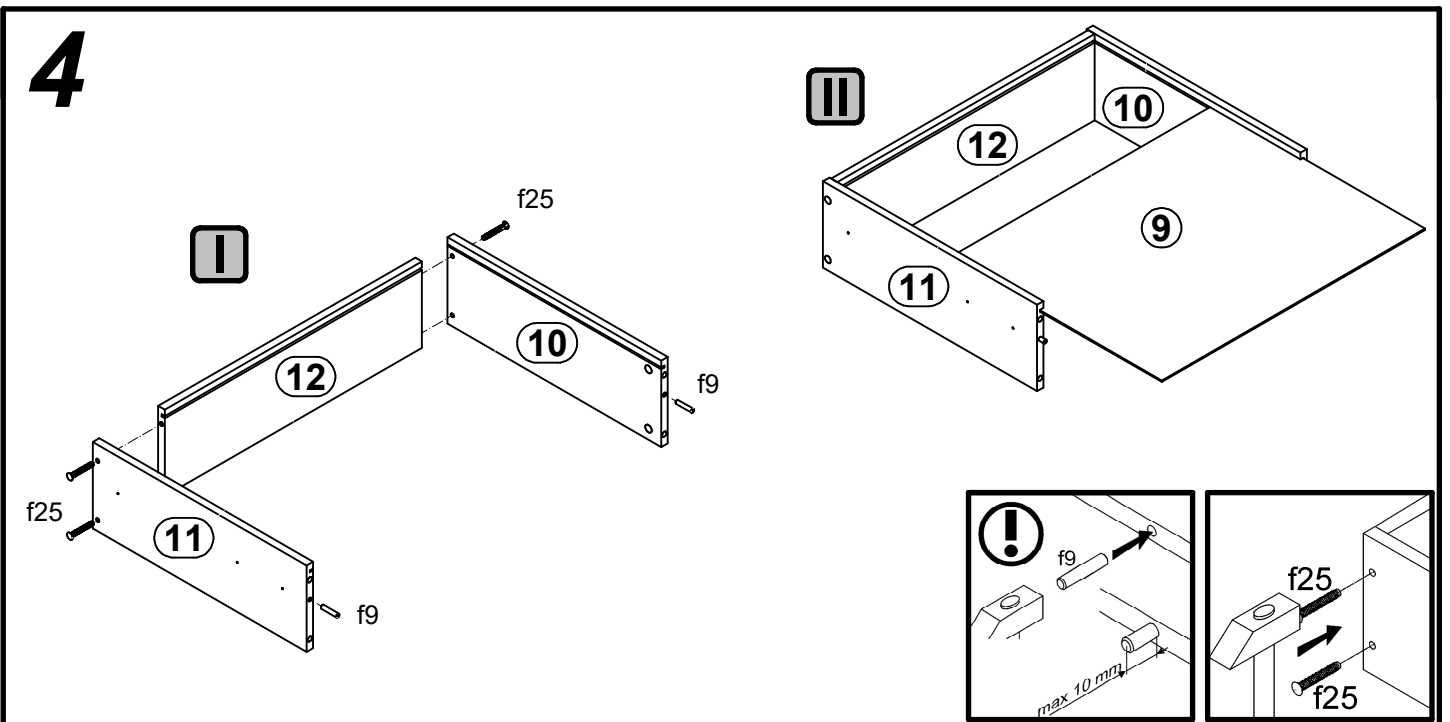
2



3



4



4

