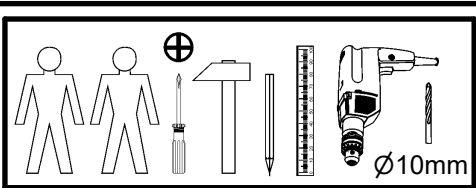
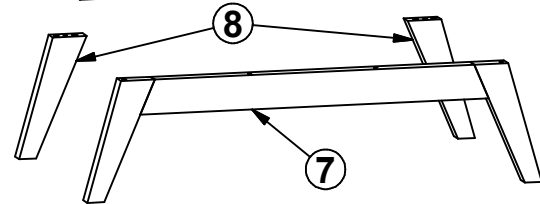
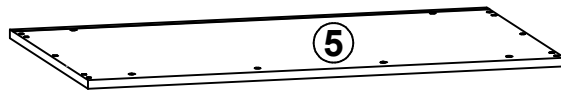
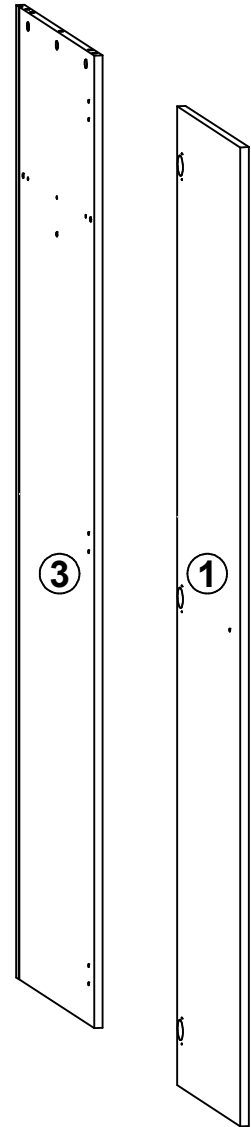
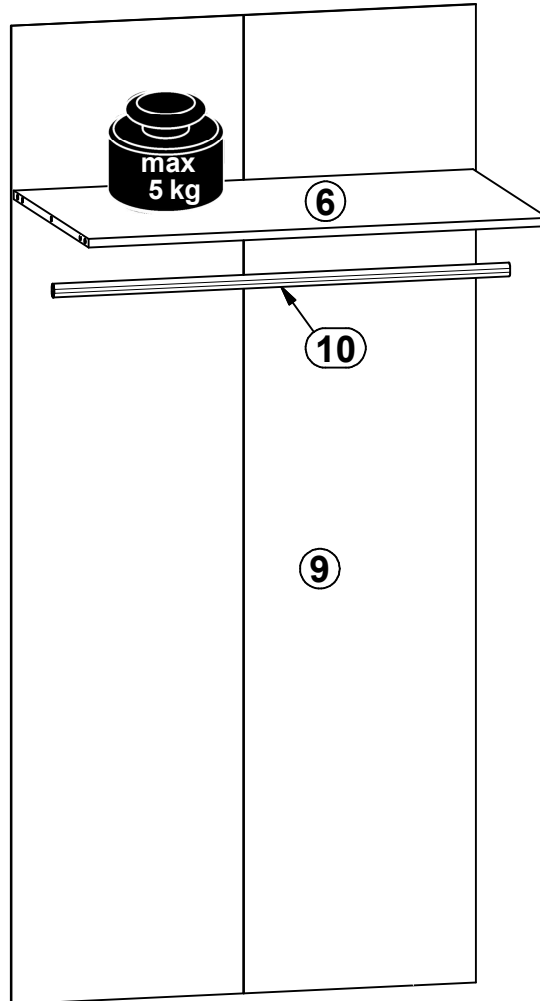
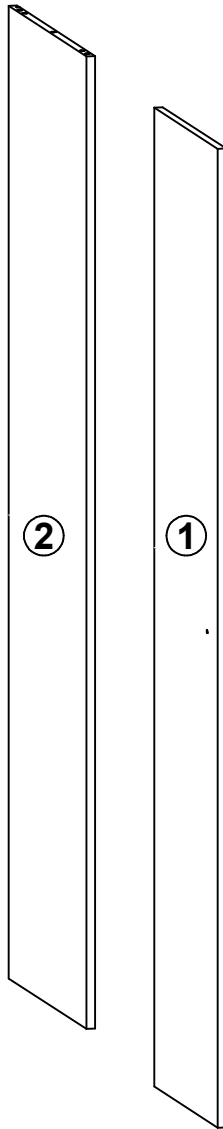
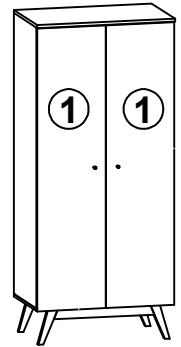
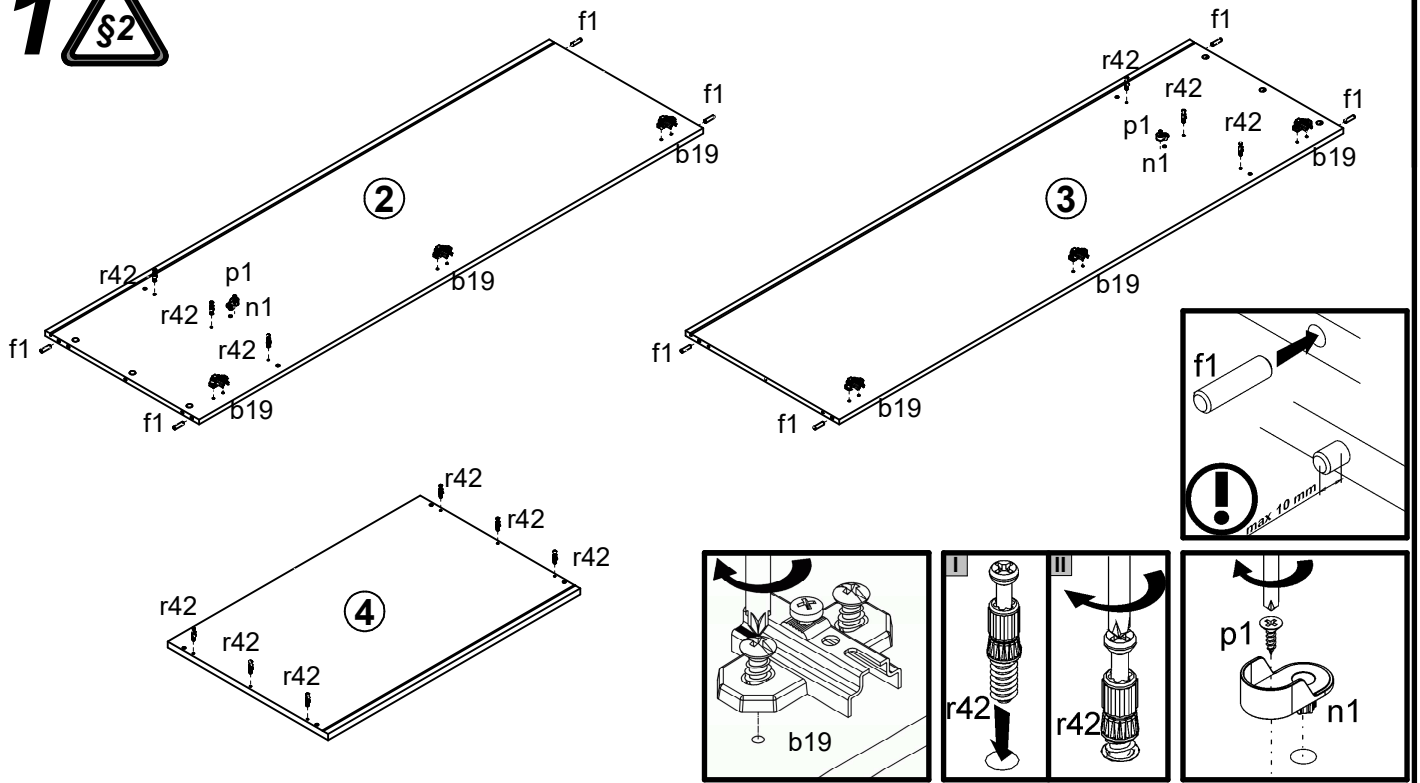


A	B	C	D
1	S385-0003	1709	421
2	S385-1005	1698	518
3	S385-1006	1698	518
4	S385-2003	850	540
5	S385-2004	849	518
6	S385-3003	818	498
7	S385-5002	809	210
8	S385-5003	210	58
9	S385-9303	1708	827
10	dr-812	812	22

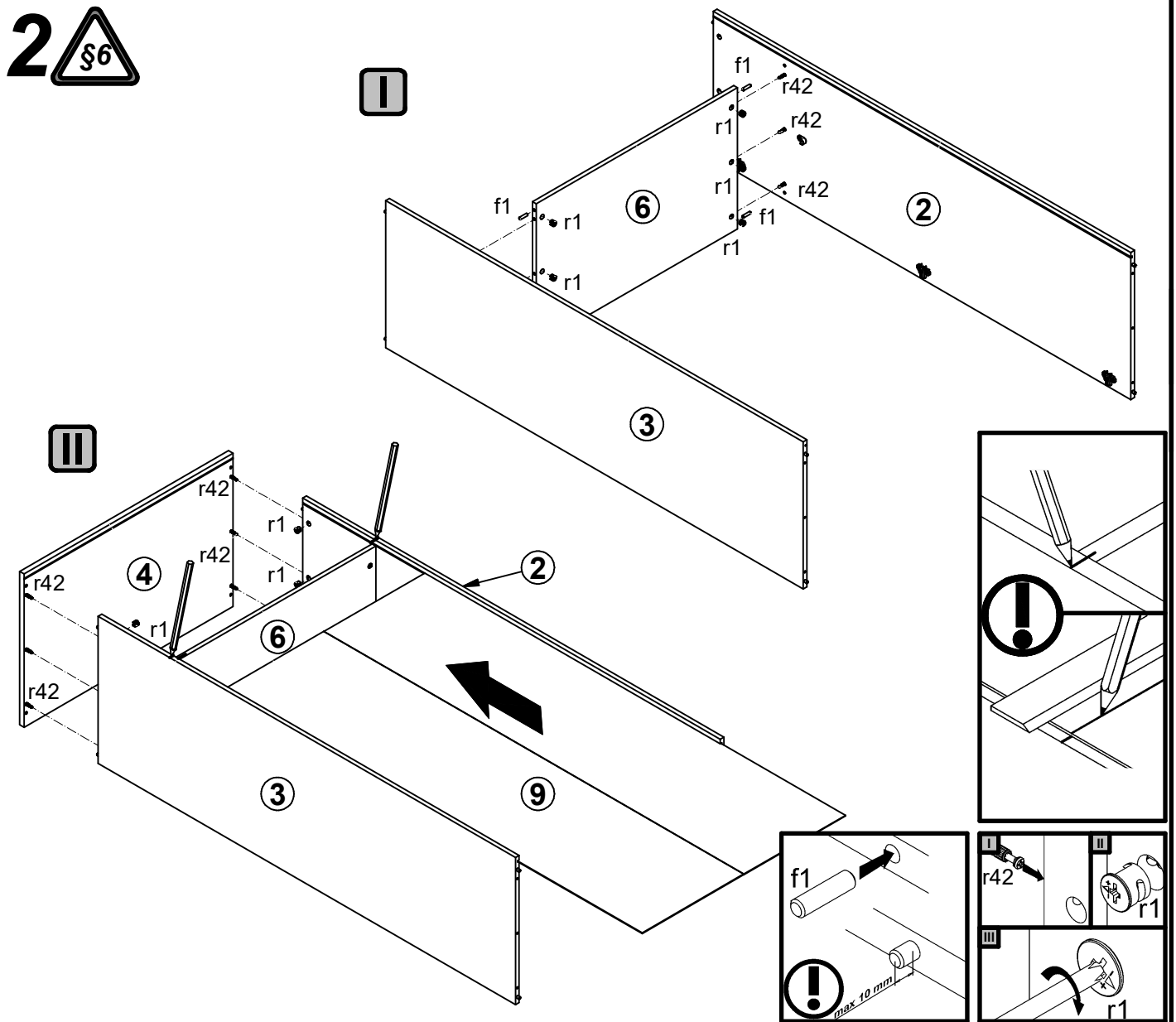


6x KO a44	6x DS b19	2x c472	12x e1 Ø7x50 mm	16x f1 Ø8x30 mm	10x l1	14x l2	2x h=22mm n1	2x Ø3.5x13 mm p1
12x Ø3.5x15 mm p51	2x Ø3.5x30 mm p78	12x Ø15x12 mm #16 r1	12x 20/11 r42	1x 4 mm z1	1x n26/1	1x Ø3.5x16 mm p38	6x s1	12x Ø16 s2

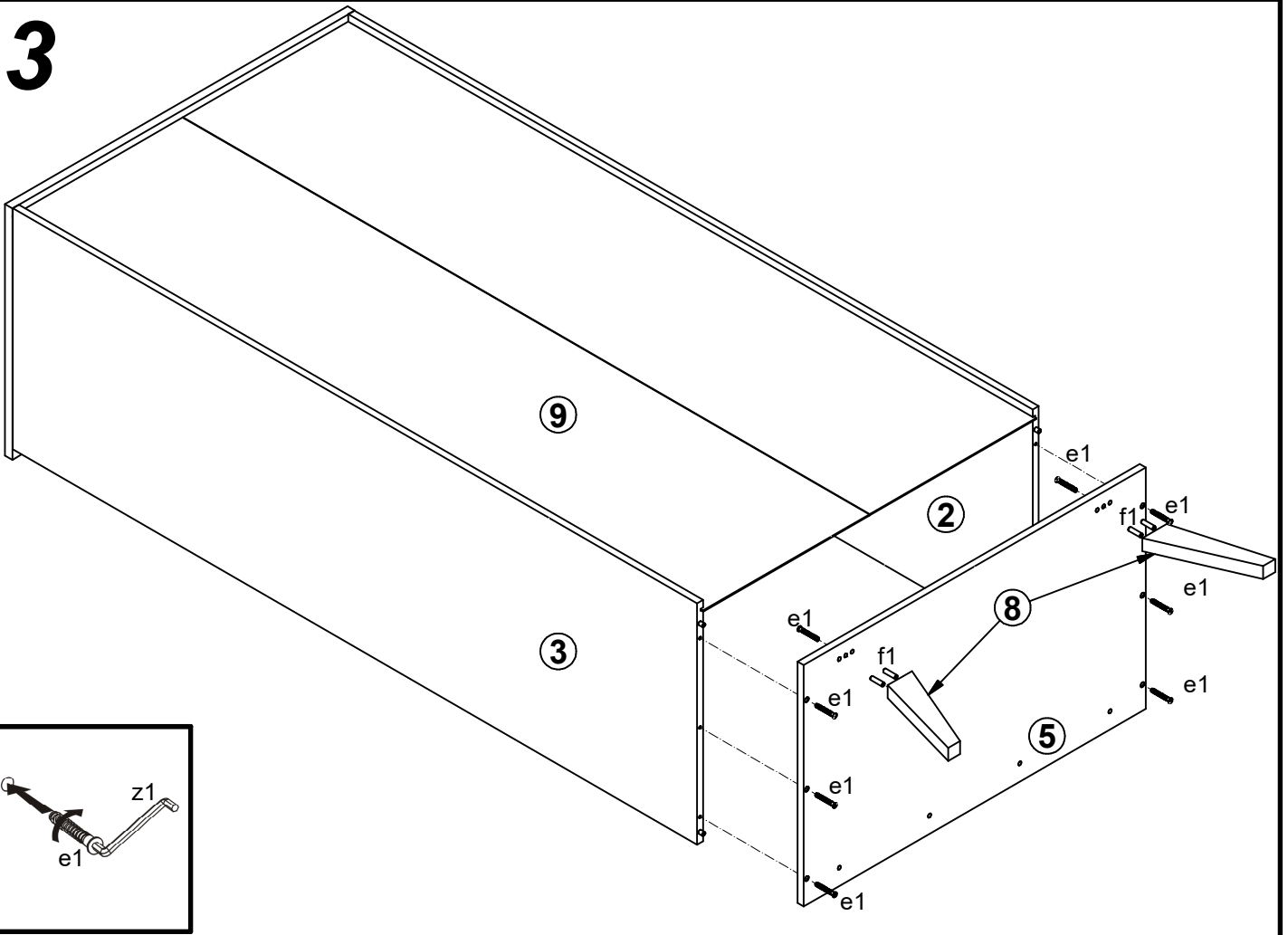
# 1



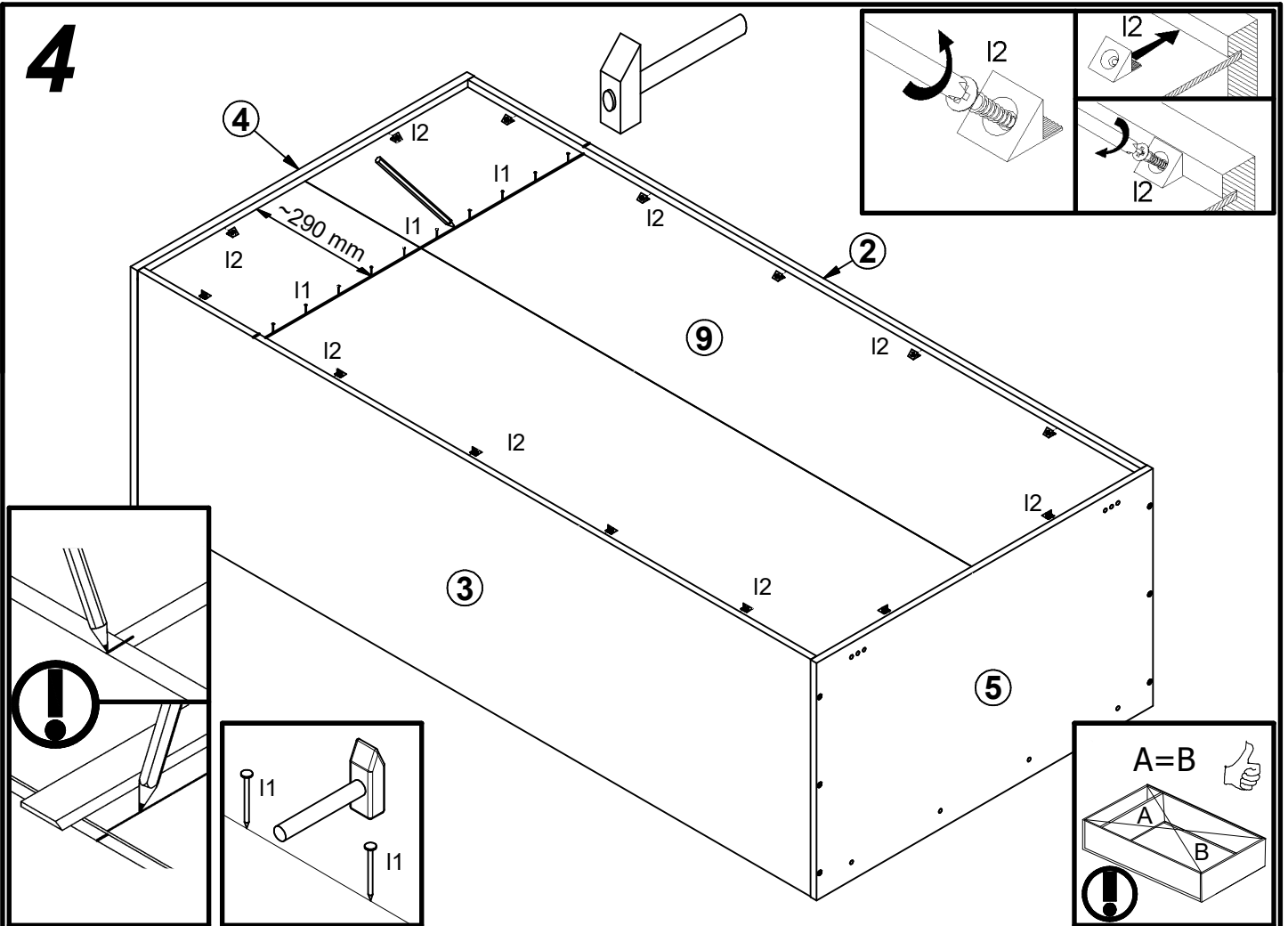
# 2



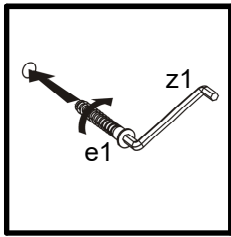
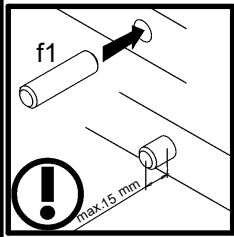
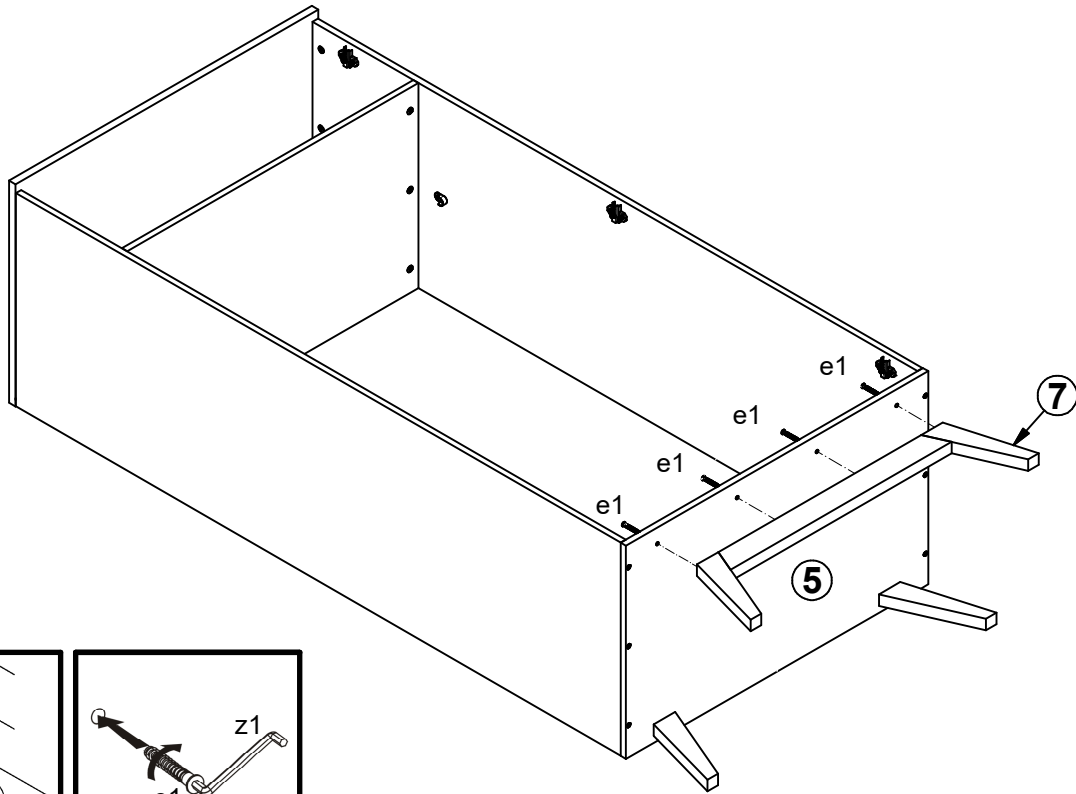
# 3



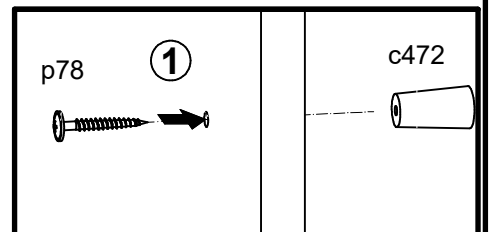
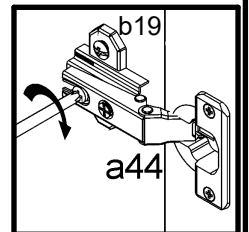
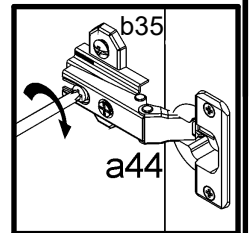
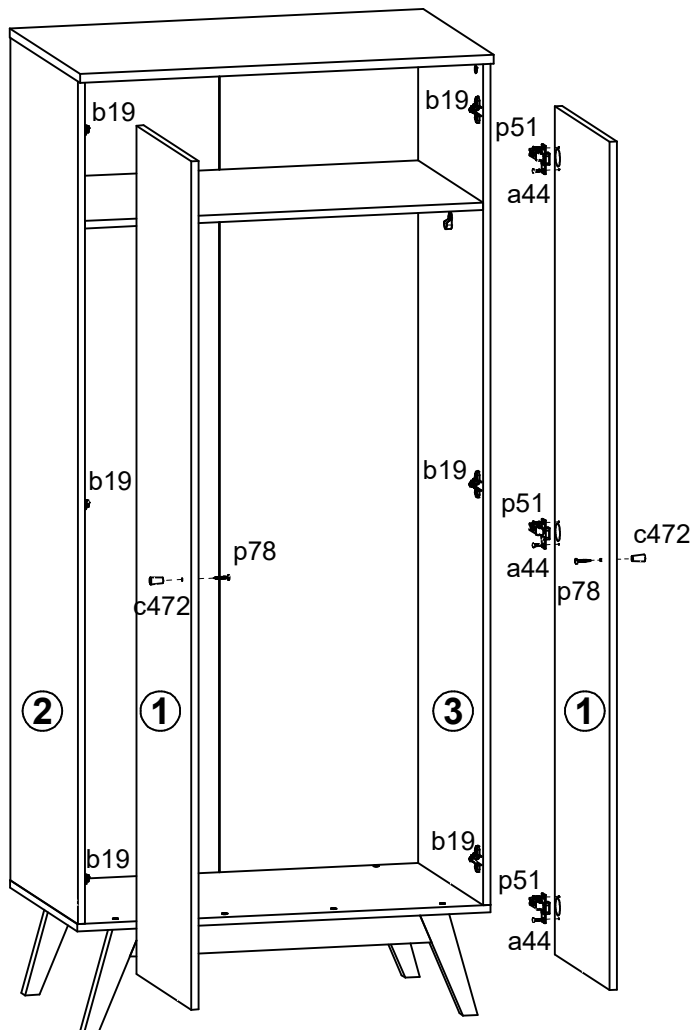
# 4



# 5



# 6



# 7

