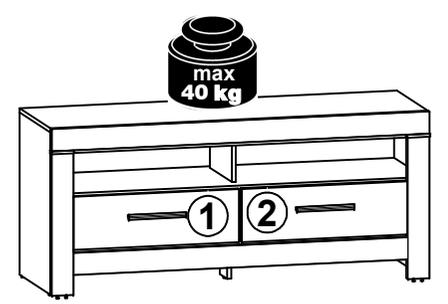
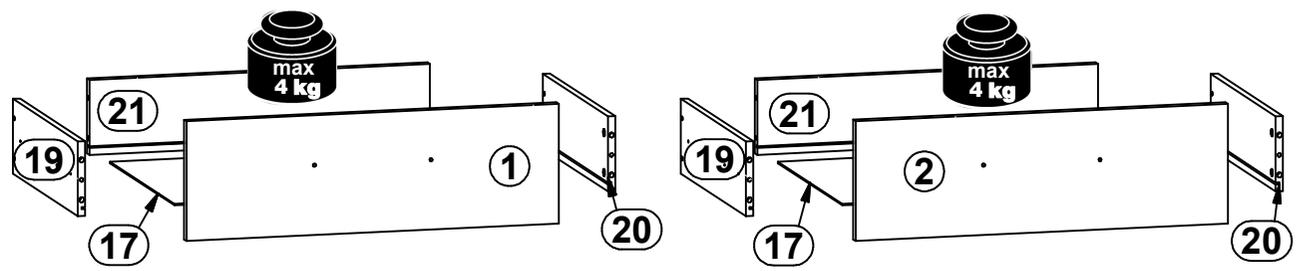
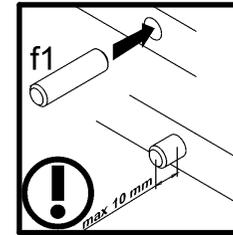
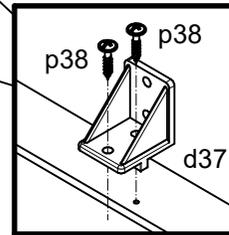
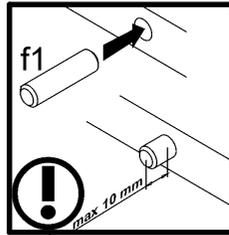
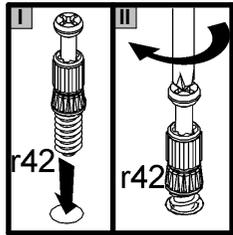
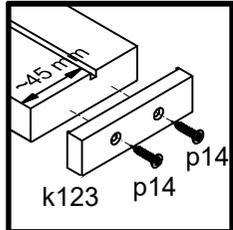
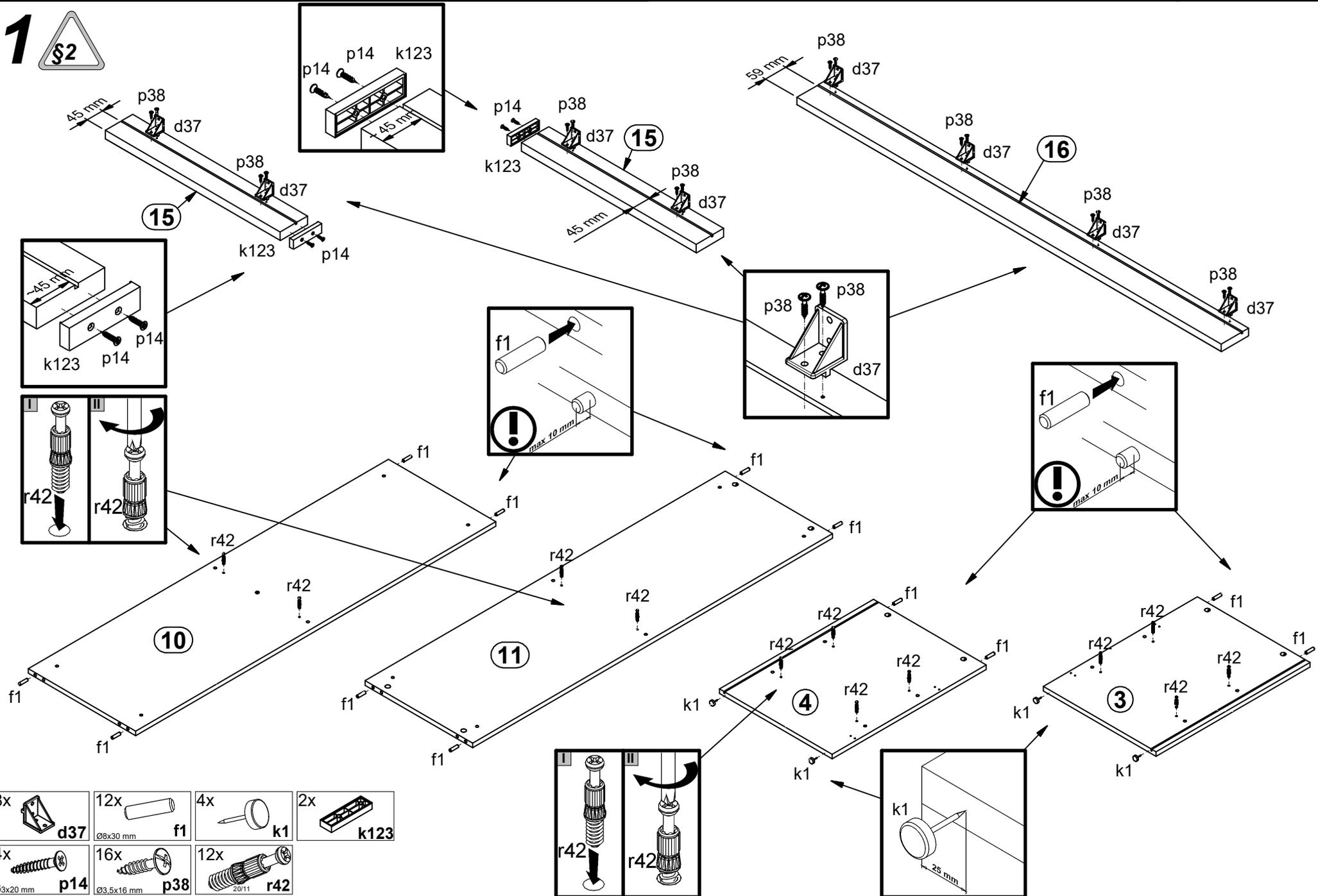


A	B	C (mm)		D
1	S365-0006	613	192	1/2
2	S365-0007	613	192	1/2
3	S365-1008	585	428	1/2
4	S365-1009	585	428	1/2
5	S365-1010	184	408	1/2
6	S365-1011	184	408	1/2
7	S365-1012	184	408	1/2
8	S365-1013	223	300	1/2
9	S365-2003	1399	428	2/2
10	S365-3006	1368	408	2/2
11	S365-3008	1368	408	2/2
12	S365-4004	1366	40	2/2
13	S365-5005	146	100	1/2
14	S365-5010	1400	80	2/2
15	S365-5011	511	80	1/2
16	S365-5013	1240	80	2/2
17	S365-9002	571	397	1/2
18	S365-9003	439	1378	2/2
19	ZK1-513	400	120	1/2
20	ZK1-514	400	120	1/2
21	ZS1-6572	561	120	1/2

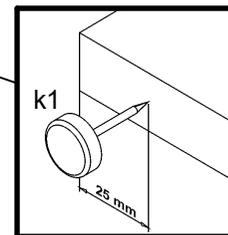
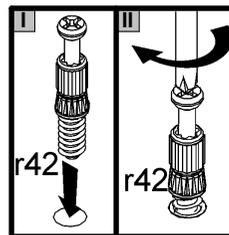


2x L-212 mm c329\2	12x d37	1x Ø7x50 mm e1	29x Ø8x30 mm f1	4x Ø6x30 mm f9	8x Ø6.5x40 mm f25	4x Ø4x25 mm p8	5x k1	2x k123	25x l1	8x l2	4x Ø4x30 mm p9	4x Ø3x20 mm p14
48x Ø3.5x16 mm p38	24x Ø3.5x12 mm p140	16x Ø15x12 mm #16 r1	8x Ø12x10.5 mm #12 r15	24x 20\11 r42	4x 400\670 mm w154\1	4x 400\670 mm w154\2	4x silikon o21	5x Ø16 s2	1x 4 mm z1			

1

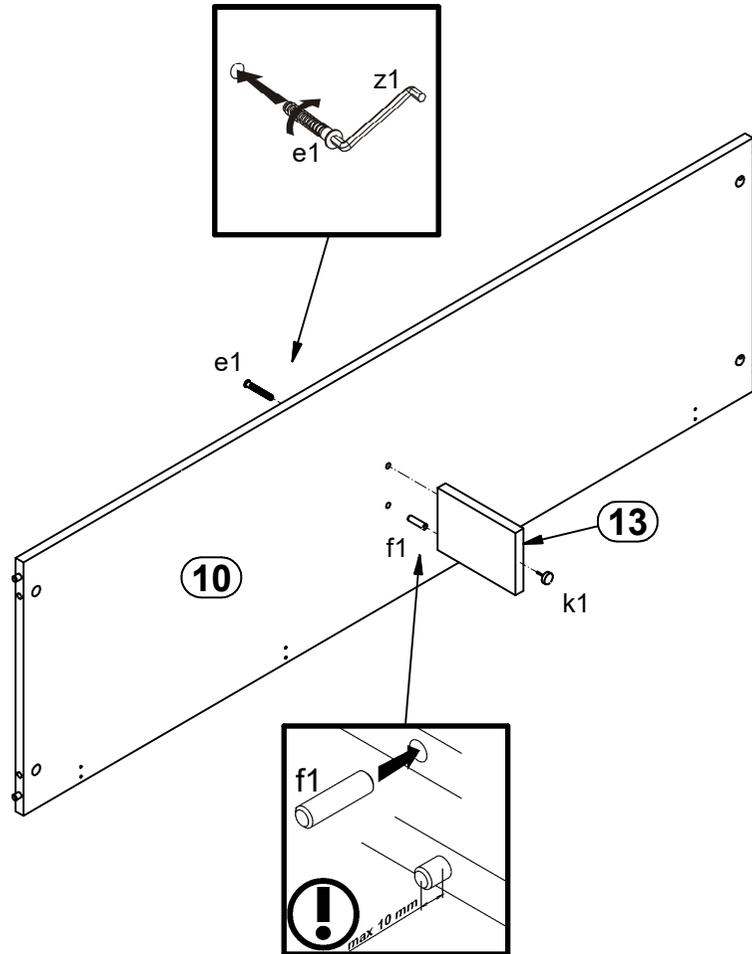


- |        |         |         |        |
|--------|---------|---------|--------|
| 8x<br> | 12x<br> | 4x<br>  | 2x<br> |
| 4x<br> | 16x<br> | 12x<br> |        |



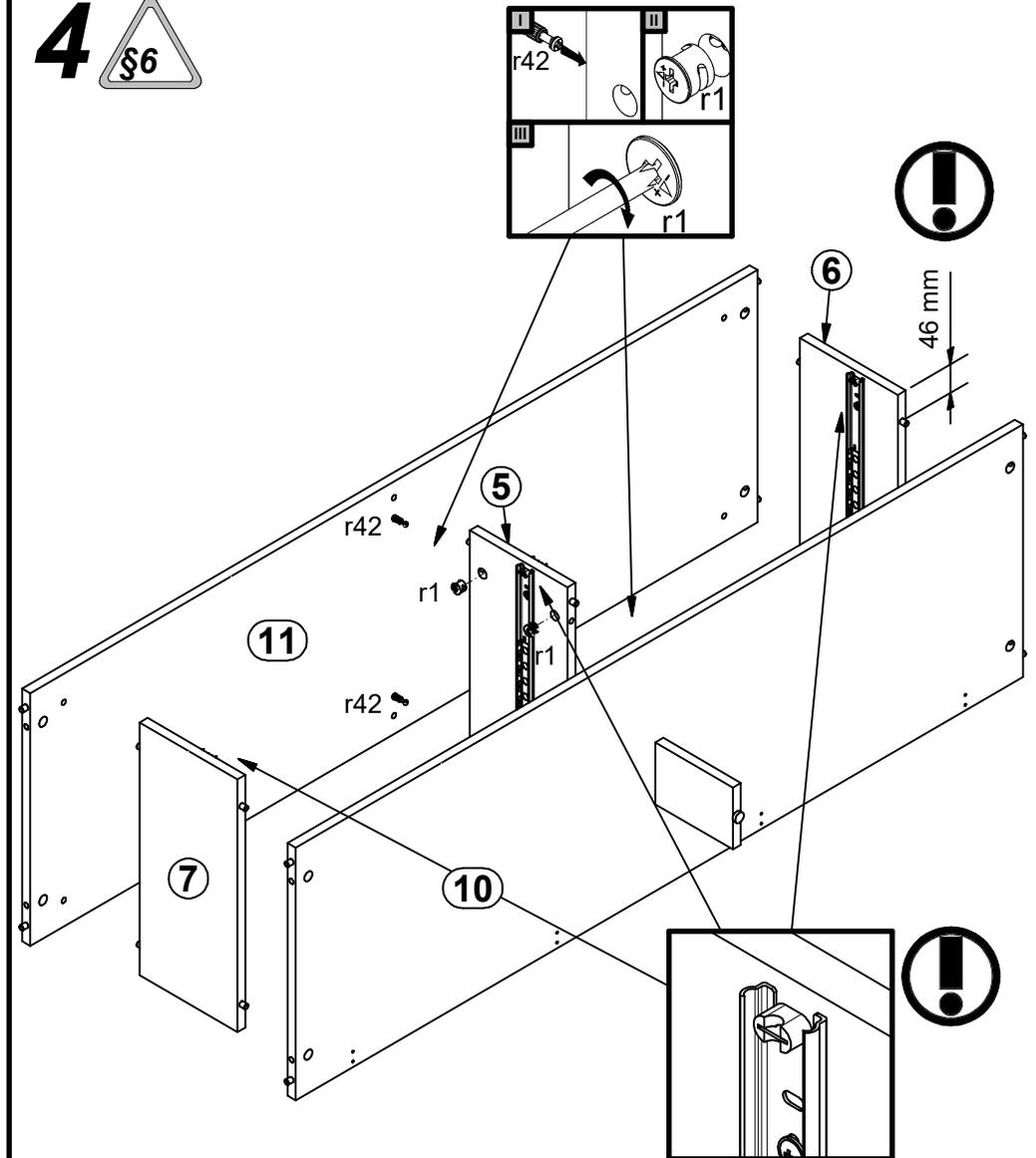


3 §2 §6



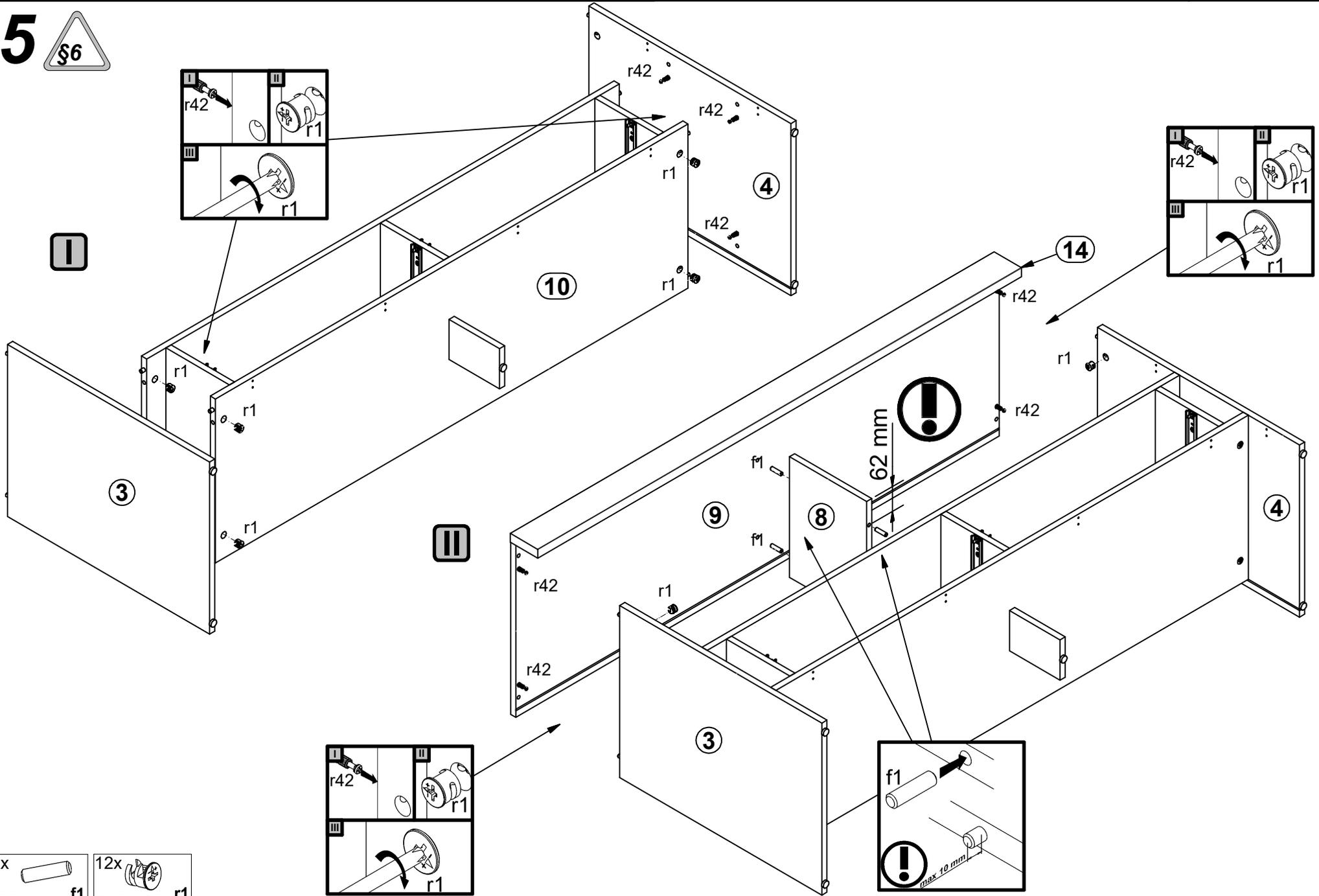
- 1x  e1  
Ø7x50 mm
- 1x  f1  
Ø8x30 mm
- 1x  z1  
4 mm
- 1x  k1

4 §6

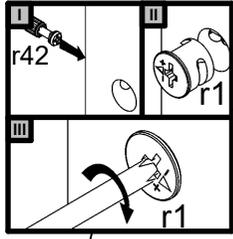
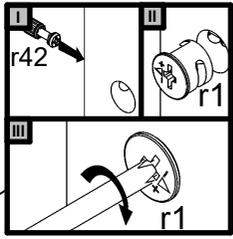
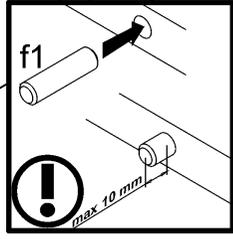


- 4x  r1  
Ø15x12 mm #16

# 5

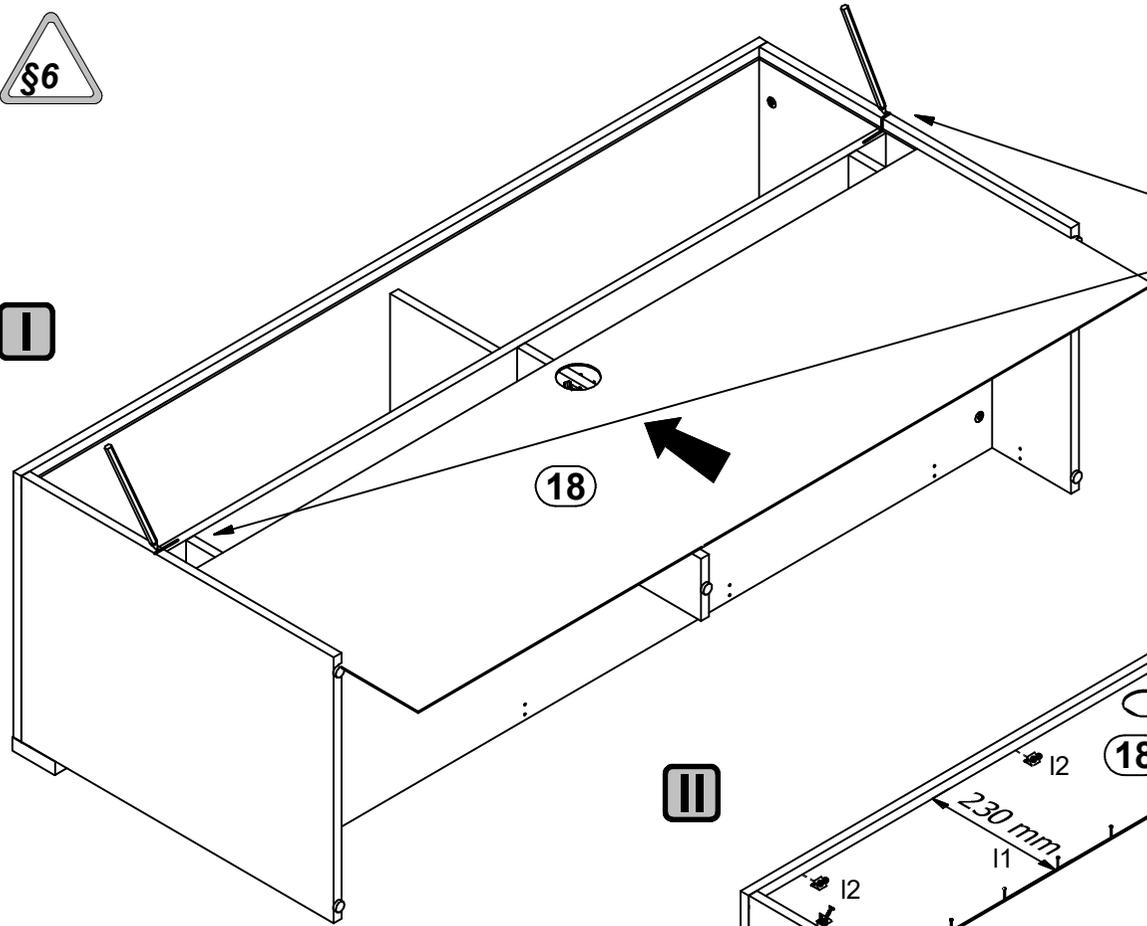


- 4x f1  $\varnothing 6 \times 30$  mm
- 12x r1  $\varnothing 15 \times 12$  mm #16



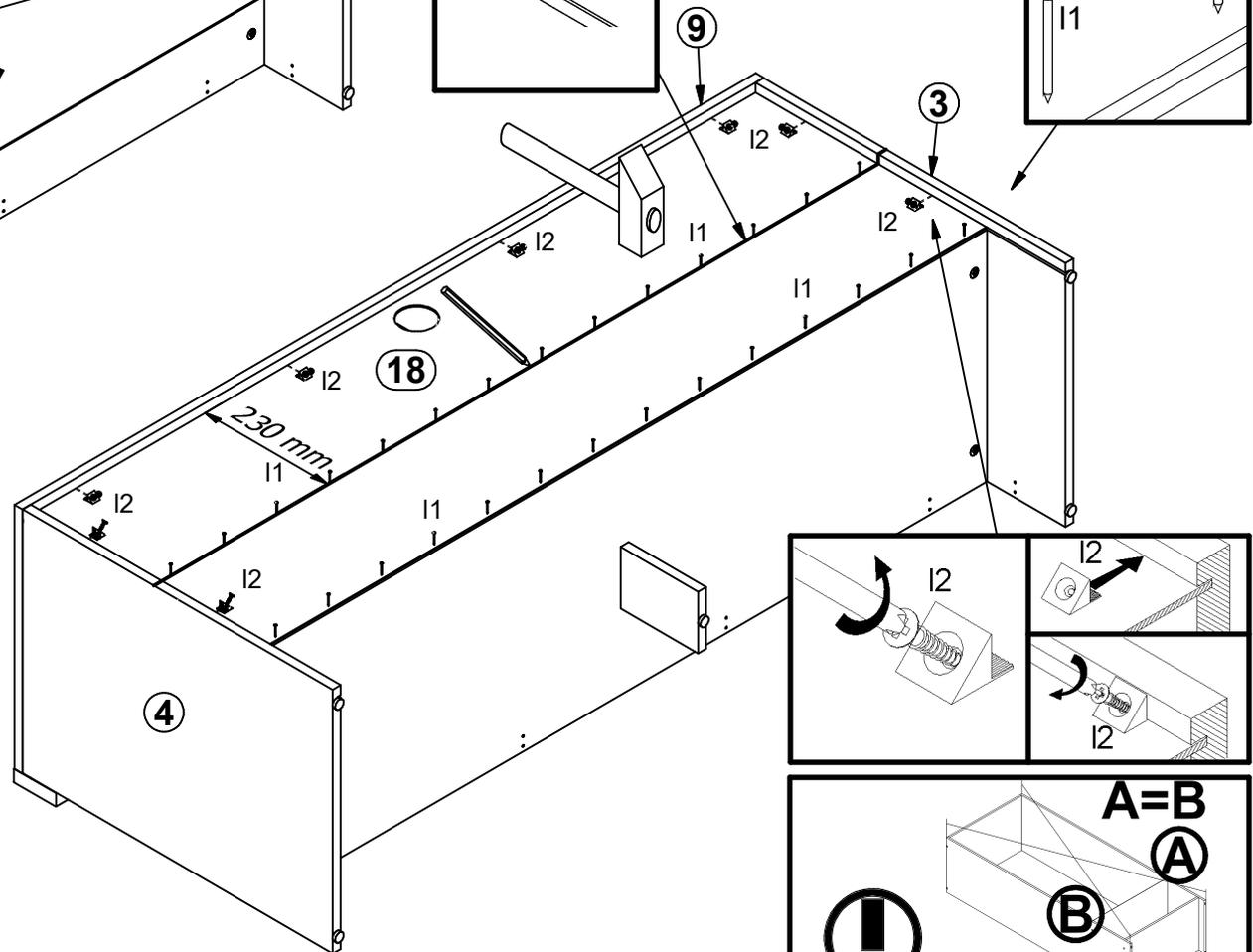
**6** 

**I**



18

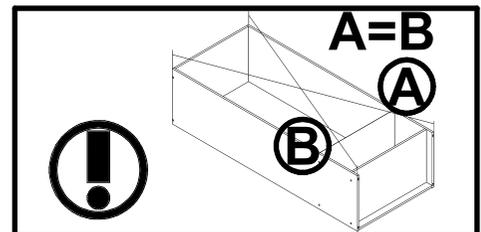
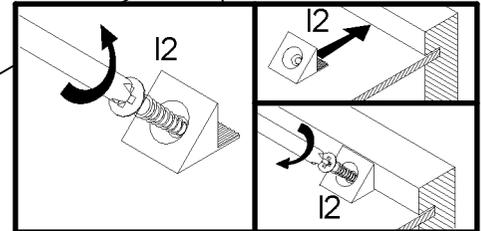
**II**



4

18

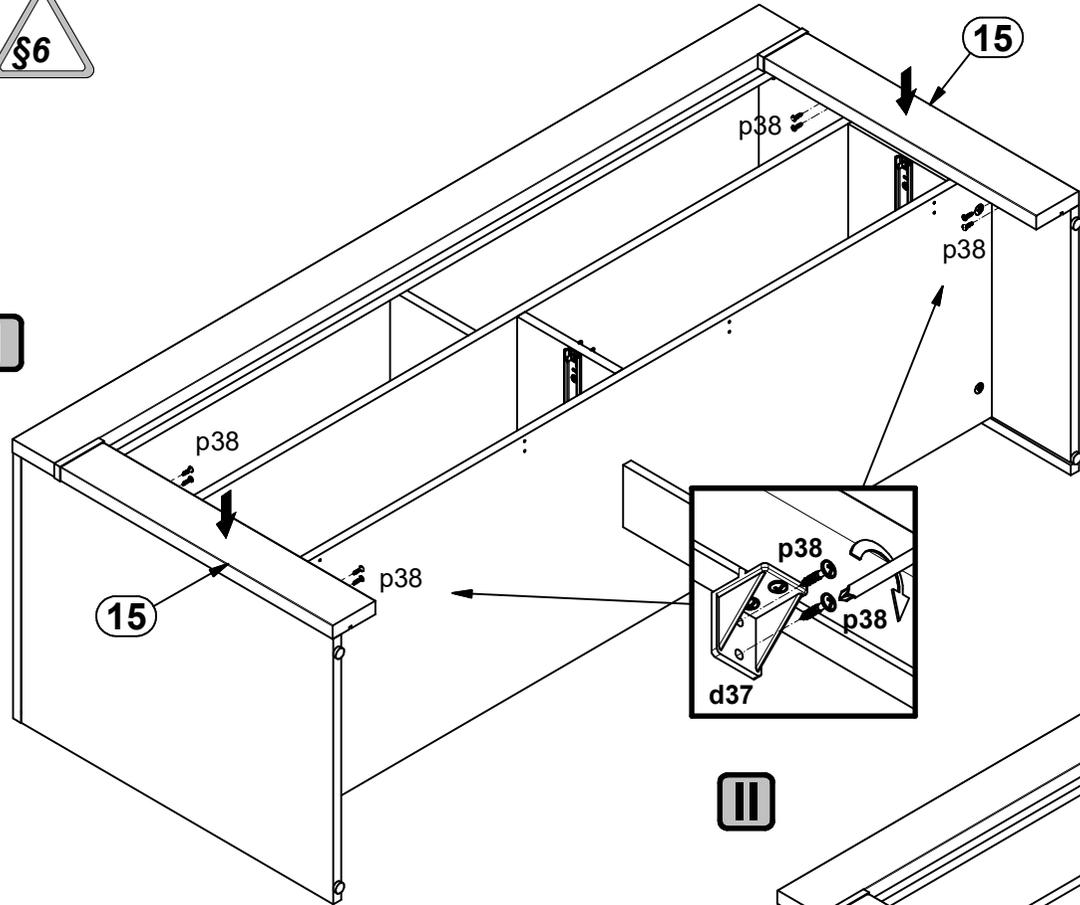
230 mm



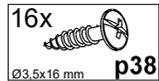
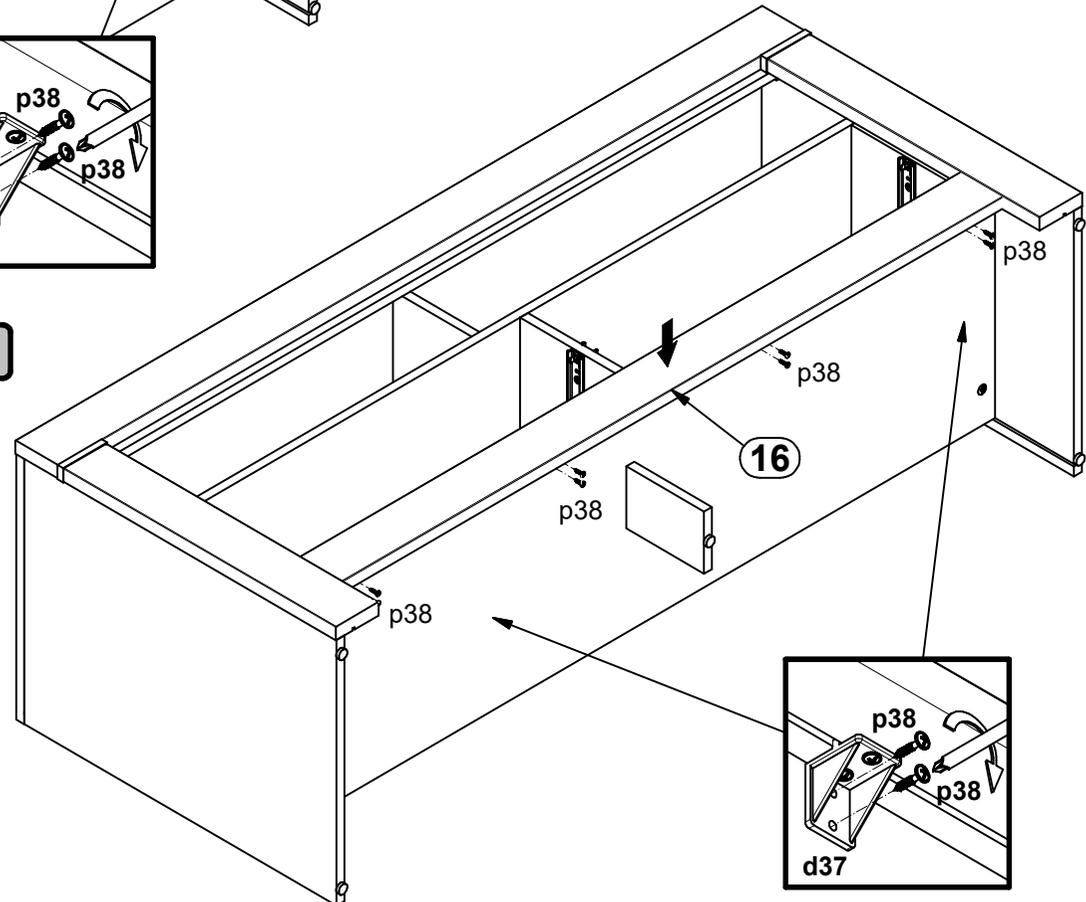
- 25x  I1
- 8x  I2

7 

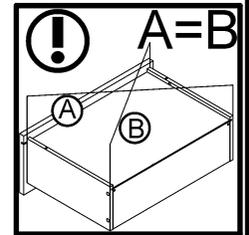
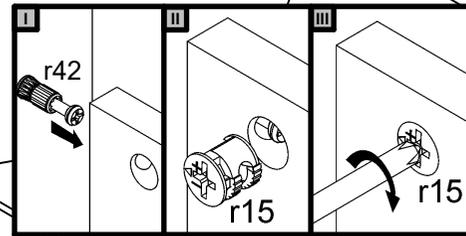
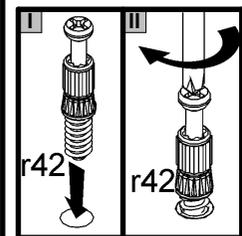
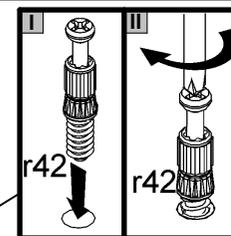
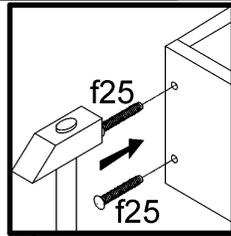
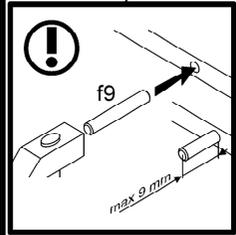
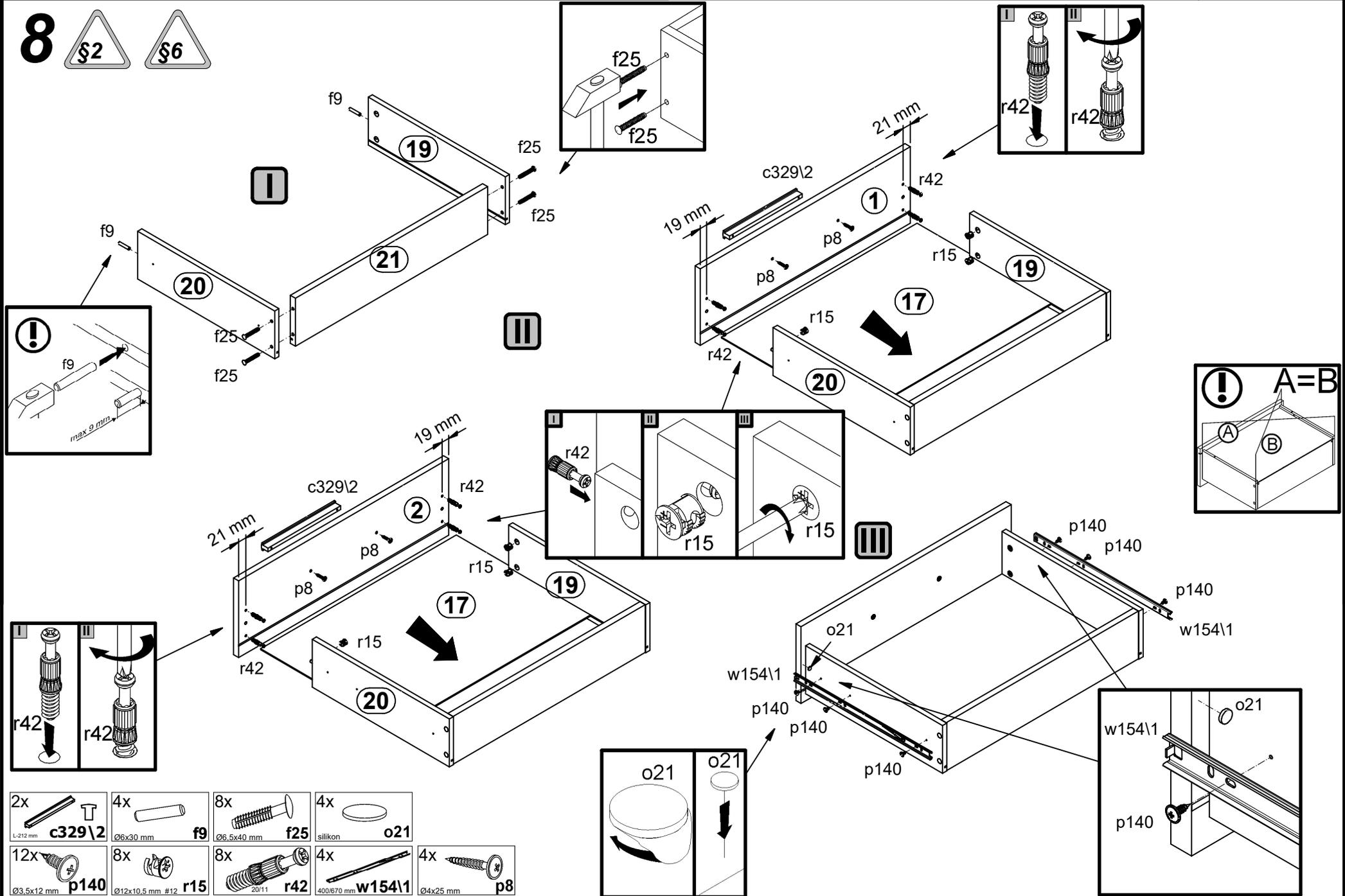
I



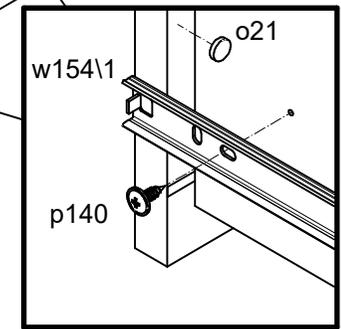
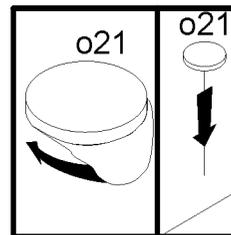
II



8  



- |                                  |                                     |                                |                                   |
|----------------------------------|-------------------------------------|--------------------------------|-----------------------------------|
| 2x<br>L-212 mm<br><b>c329\2</b>  | 4x<br>Ø6x30 mm<br><b>f9</b>         | 8x<br>Ø6.5x40 mm<br><b>f25</b> | 4x<br>silikon<br><b>o21</b>       |
| 12x<br>Ø3.5x12 mm<br><b>p140</b> | 8x<br>Ø12x10.5 mm #12<br><b>r15</b> | 8x<br>20\11<br><b>r42</b>      | 4x<br>400\670 mm<br><b>w154\1</b> |
|                                  |                                     | 4x<br>Ø4x25 mm<br><b>p8</b>    |                                   |



9

