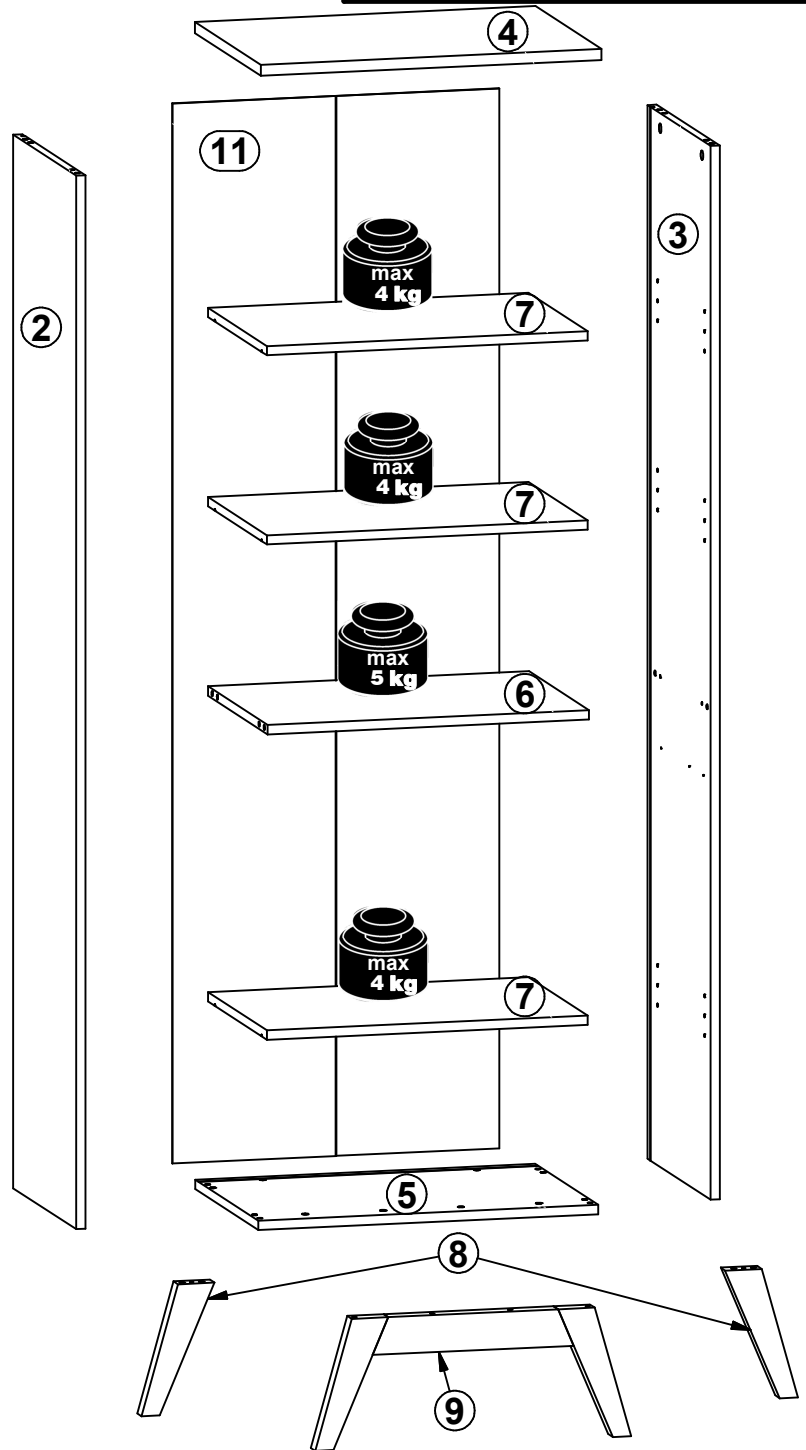
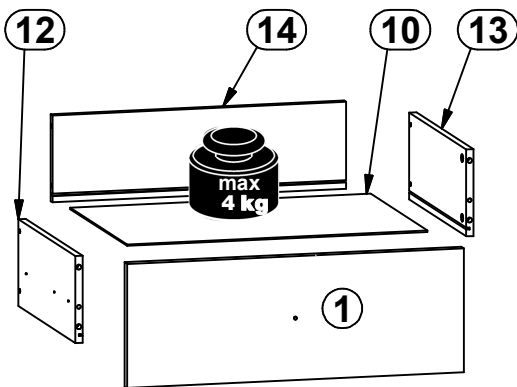
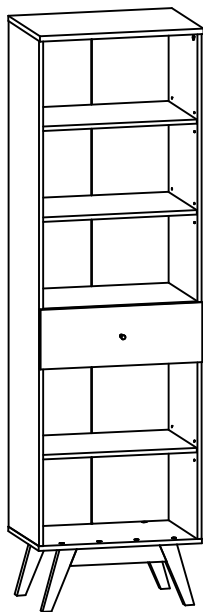
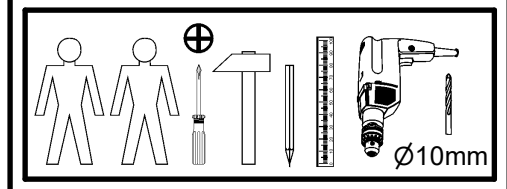


A

HEDA

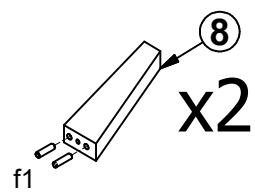
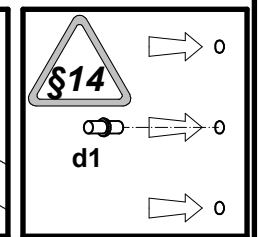
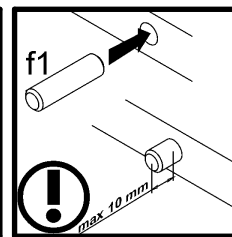
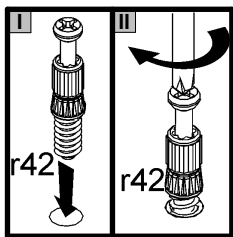
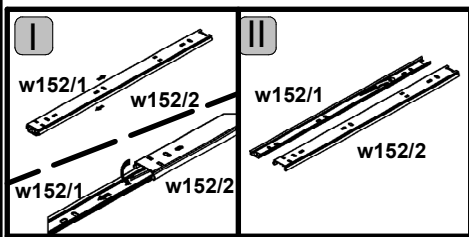
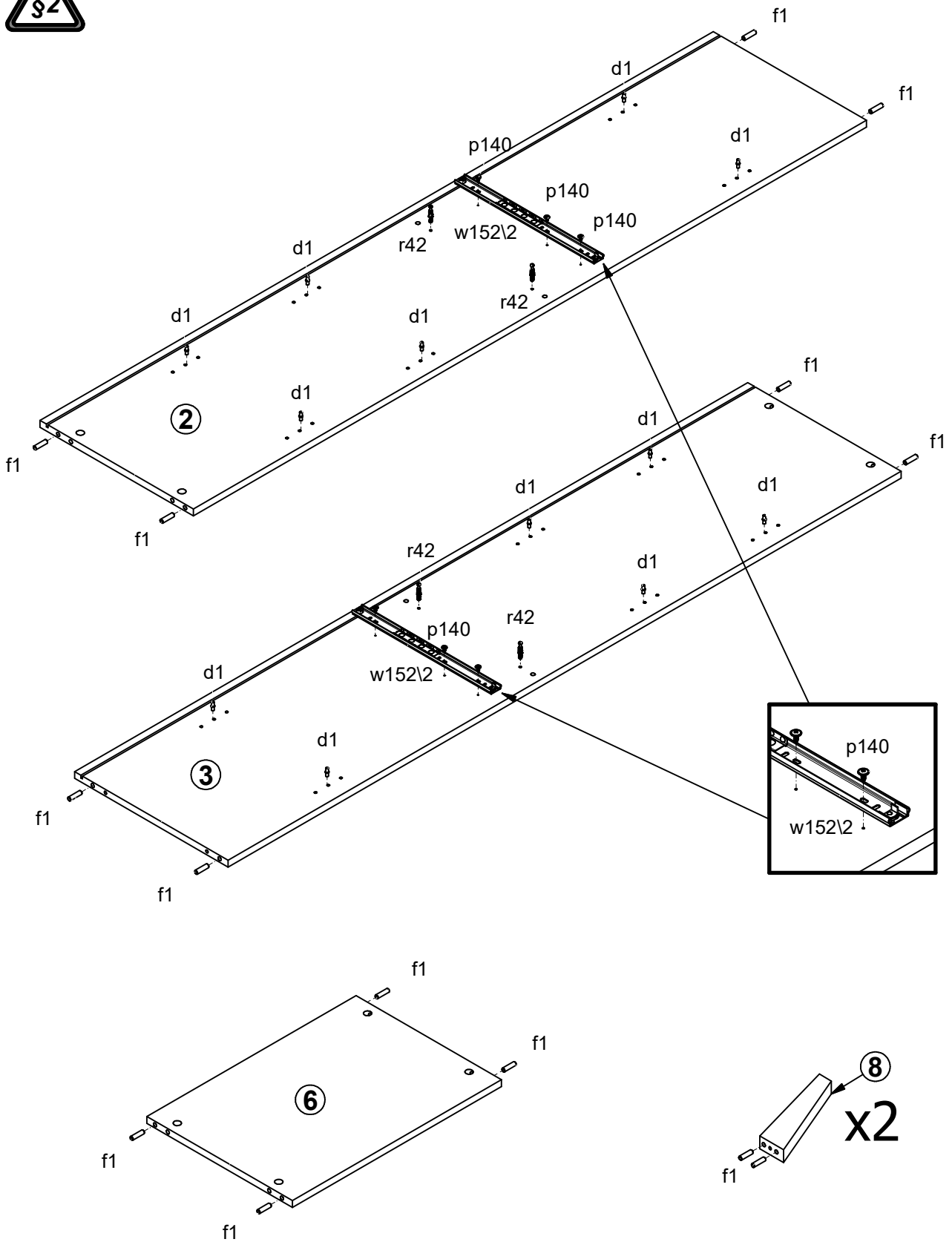
S385-REG1S

A	B	C	D	
1	S385-0007	554	200	2/2
2	S385-1012	1698	387	1/2
3	S385-1013	1698	387	1/2
4	S385-2009	560	405	2/2
5	S385-2010	559	387	2/2
6	S385-3004	528	367	2/2
7	S385-3010	527	362	2/2
8	S385-5003	210	60	2/2
9	S385-5005	519	210	2/2
10	S385-9008	494	348	2/2
11	S385-9304	1708	537	1/2
12	ZK1-521	350	140	2/2
13	ZK1-522	350	140	2/2
14	ZS4-5515	483	140	2/2

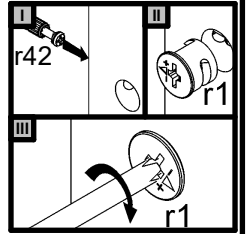
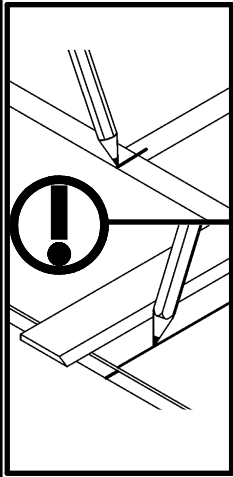
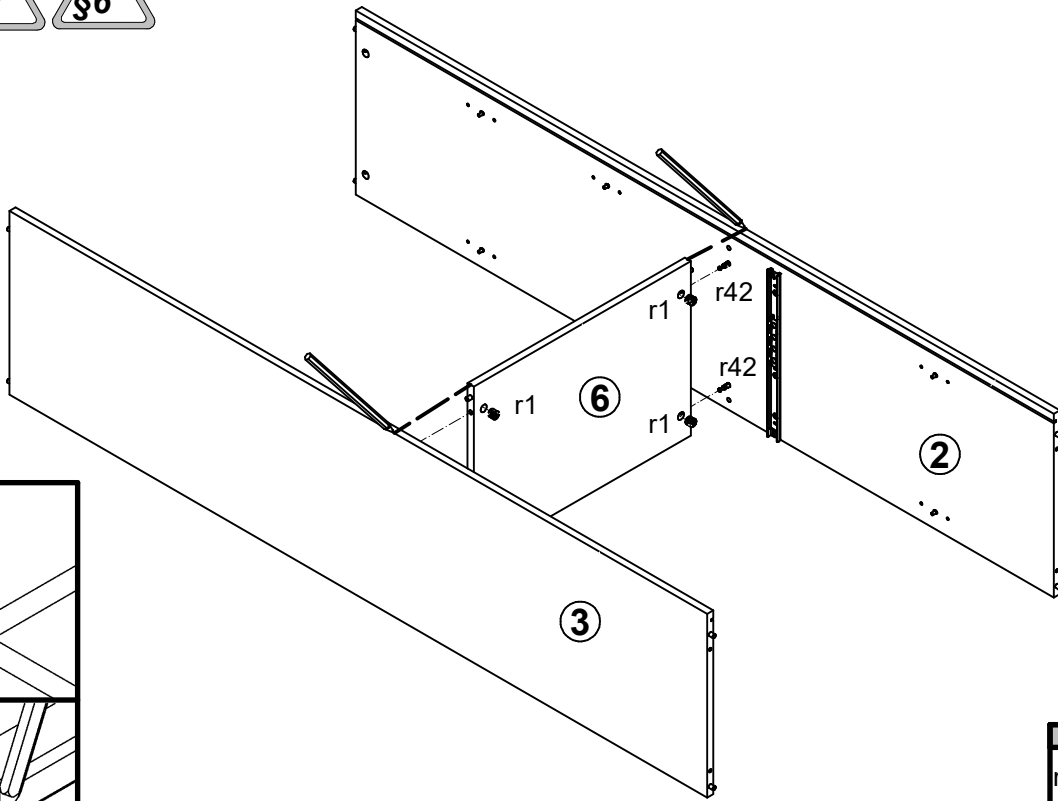


1x c472	12x d1 Ø5x17 mm	10x e1 Ø7x50 mm	16x f1 Ø8x30 mm	4x f25 Ø6.5x40 mm	2x f9 Ø6x30 mm	5x l1	14x l2 Ø3.5x30 mm	1x p78 Ø3.5x30 mm
12x p140 Ø3.5x12 mm	8x r1 Ø15x12 mm #16	4x r15 Ø12x10.5 mm #12	12x r42 20/11	2x w152\1 350/580 mm	2x w152\2 350/580 mm	6x s1	4x s2 Ø16	1x z1 4 mm
							1x n26\1	1x p38 Ø3.5x16 mm

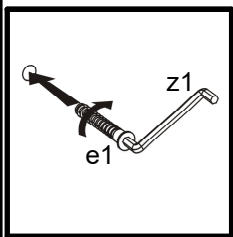
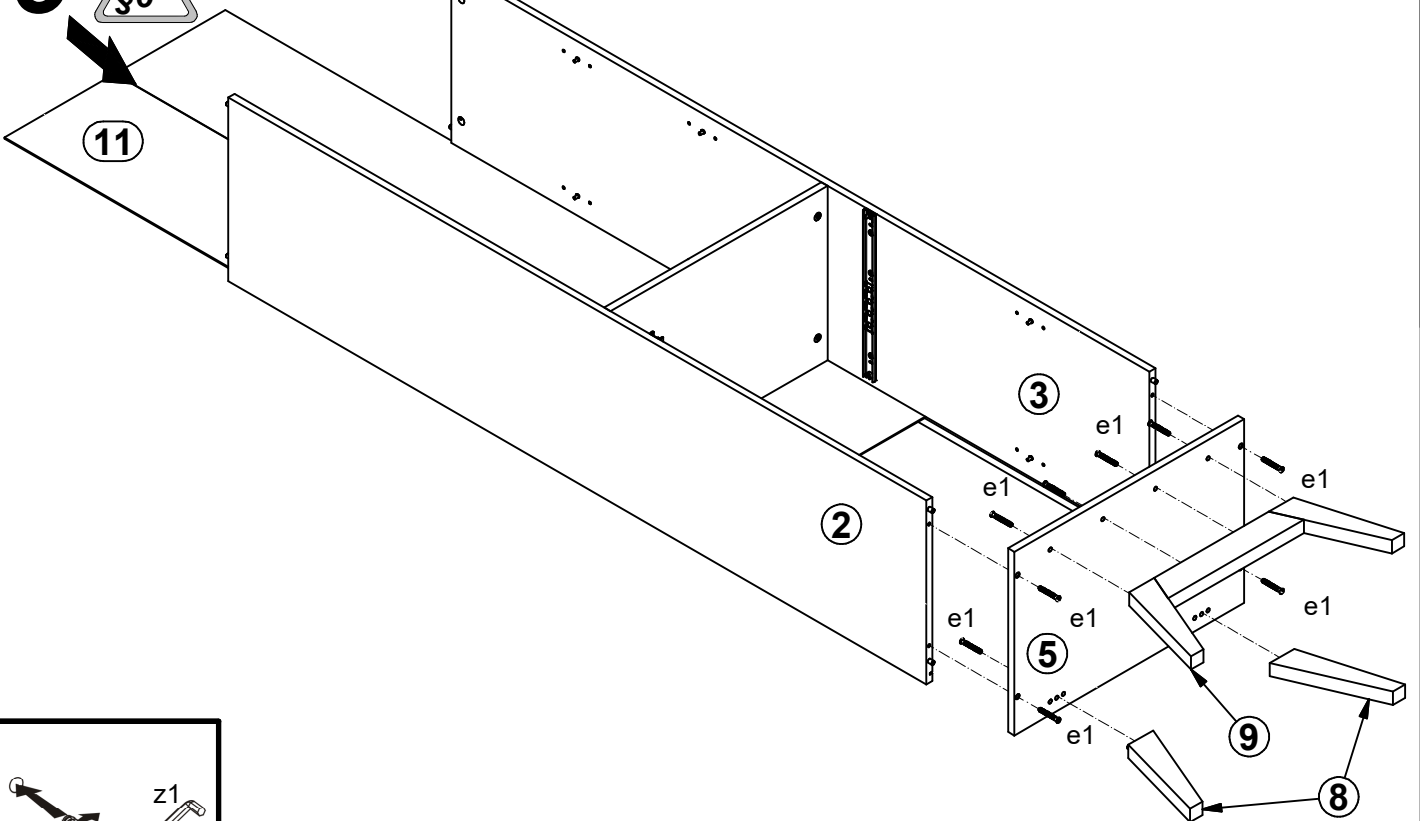
1 



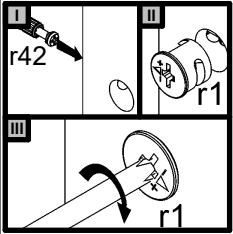
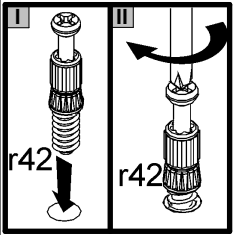
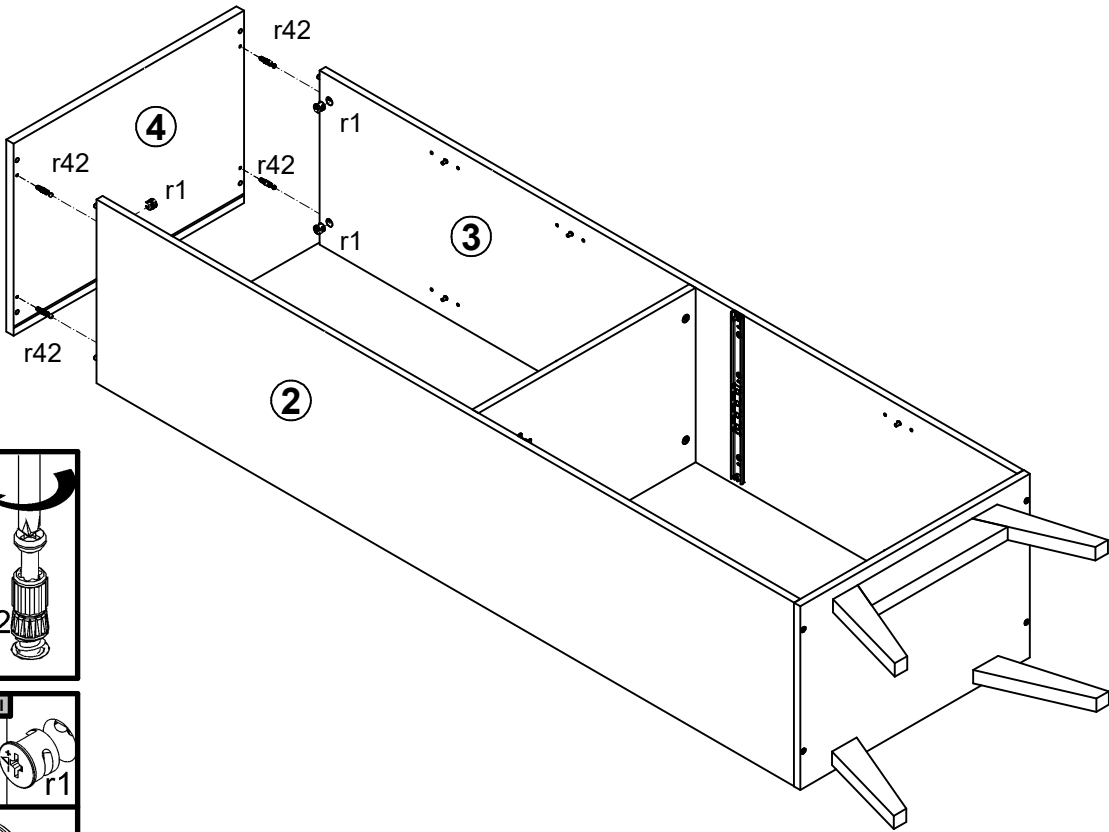
2



3



4



5

