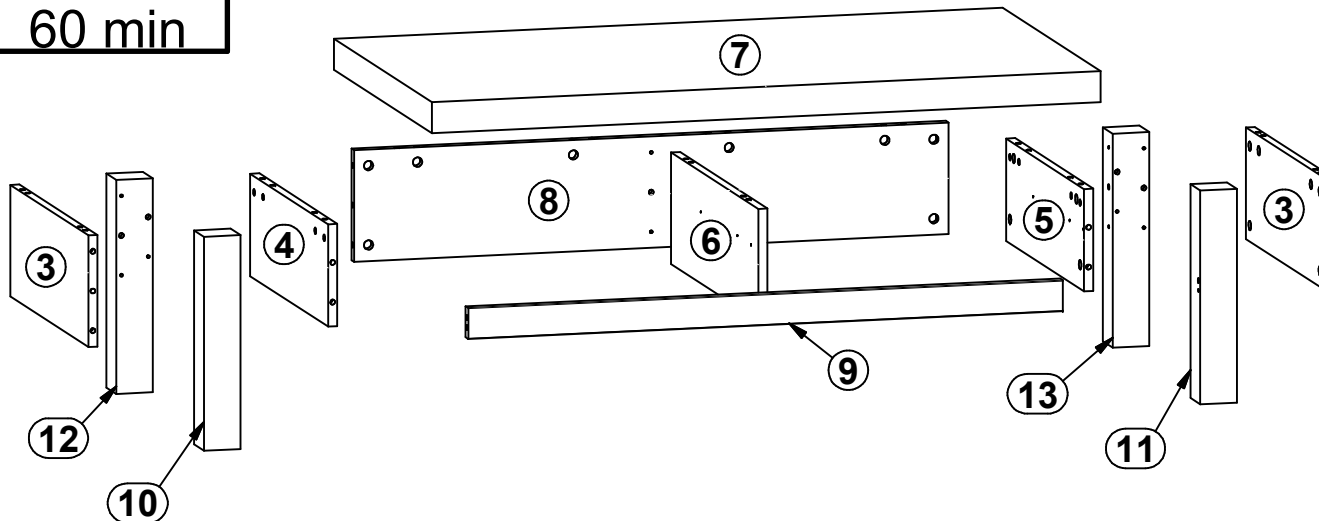
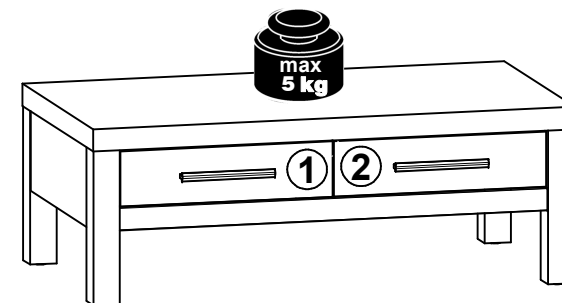
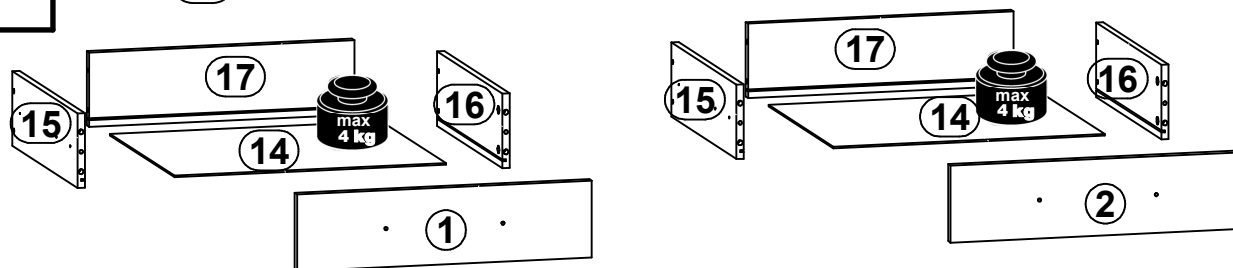


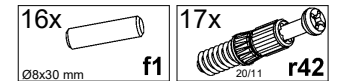
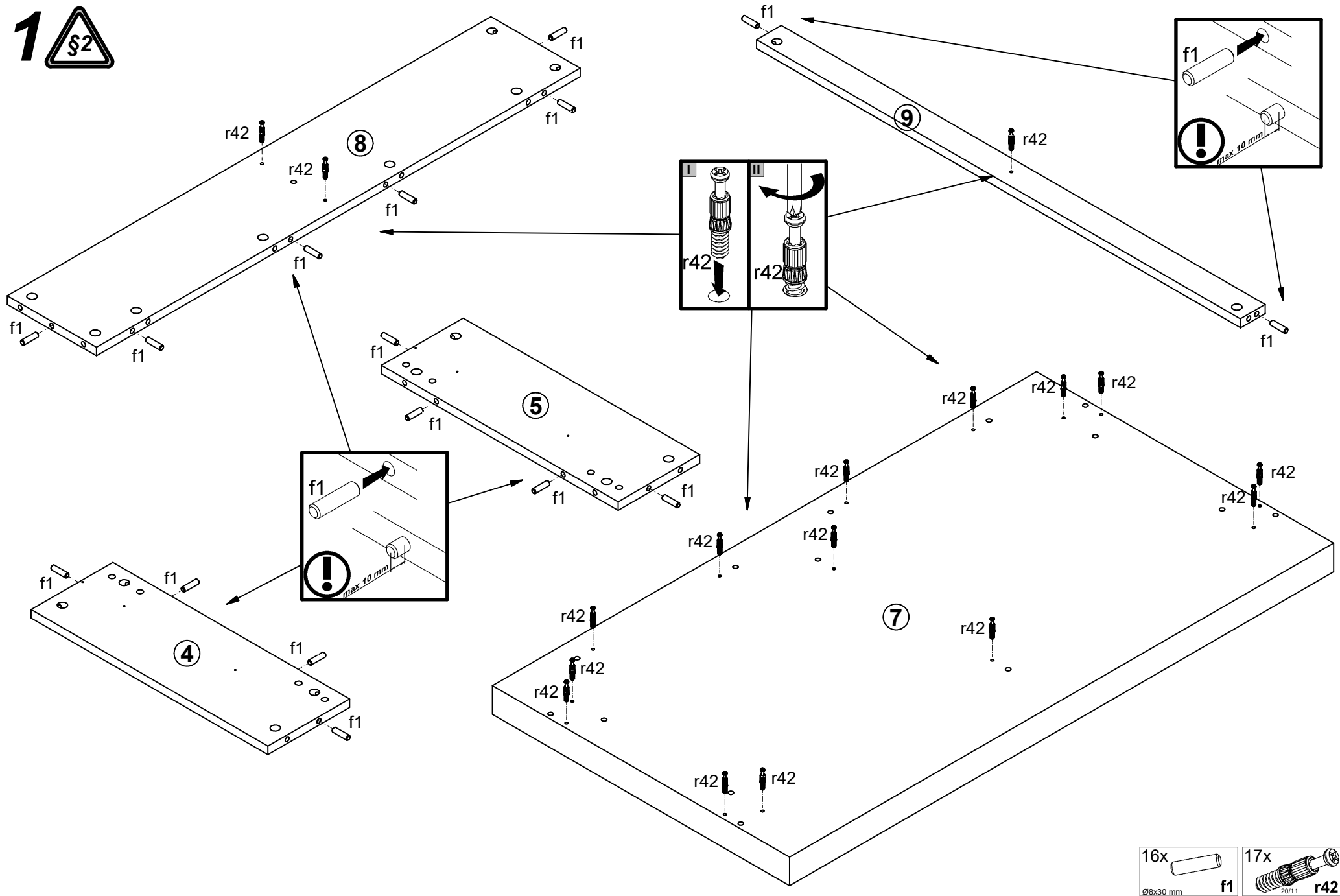
60 min



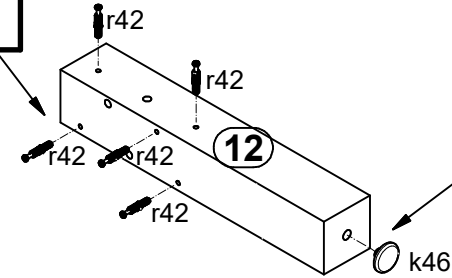
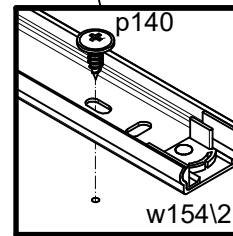
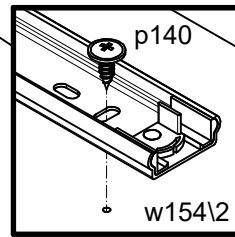
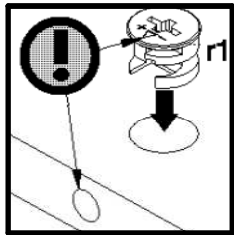
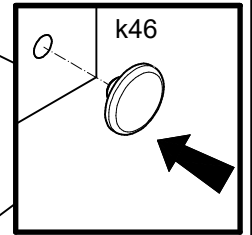
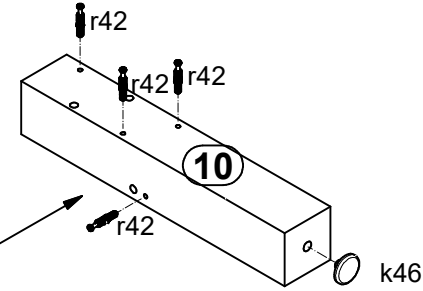
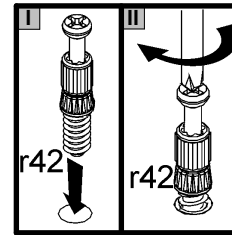
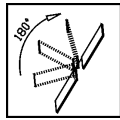
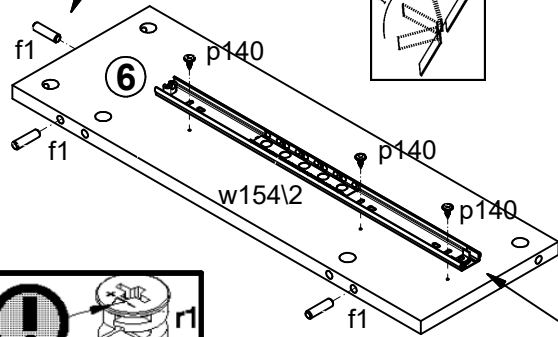
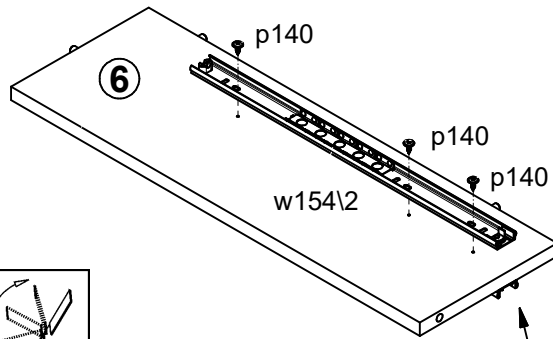
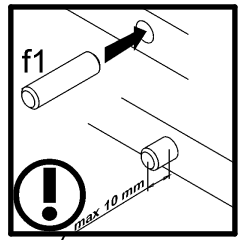
A	B	C (mm)		D
1	S365-0011	484	124	1/1
2	S365-0012	484	124	1/1
3	S365-1016	478	180	1/1
4	S365-1017	478	165	1/1
5	S365-1018	478	165	1/1
6	S365-1019	535	180	1/1
7	S365-2005	1099	600	1/1
8	S365-4006	977	180	1/1
9	S365-5022	977	50	1/1
10	S365-5023	345	60	1/1
11	S365-5024	345	60	1/1
12	S365-5025	345	60	1/1
13	S365-5026	345	60	1/1
14	S365-9005	446	396	1/1
15	ZK1-513	400	120	1/1
16	ZK1-514	400	120	1/1
17	ZS1-6573	526	120	1/1



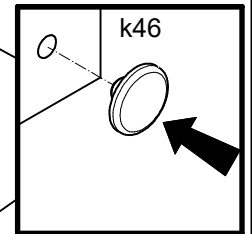
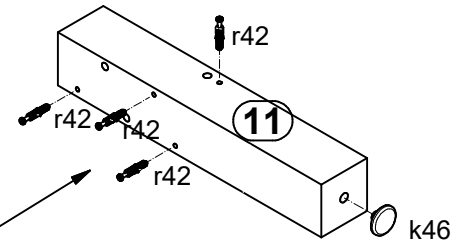
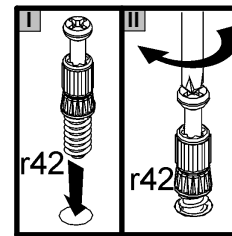
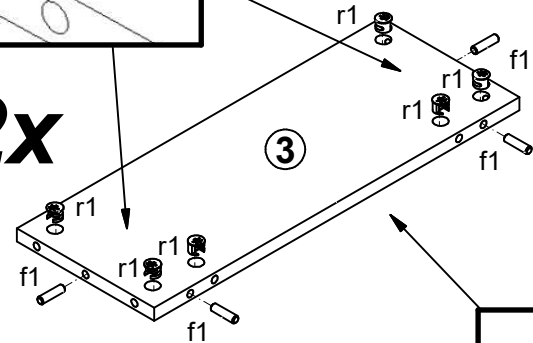
- 2x L-212 mm **c329\2**
- 27x Ø8x30 mm **f1**
- 4x Ø6x30 mm **f9**
- 8x Ø6,5x40 mm **f25**
- 4x **k46**
- 4x Ø4x25 mm **p8**
- 24x Ø3,5x12 mm **p140**
- 35x Ø15x12 mm #16 **r1**
- 8x Ø12x10,5 mm #12 **r15**
- 43x 20/11 **r42**
- 4x 400/670 mm **w154\1**
- 4x 400/670 mm **w154\2**



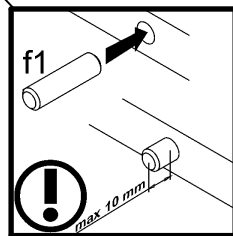
2



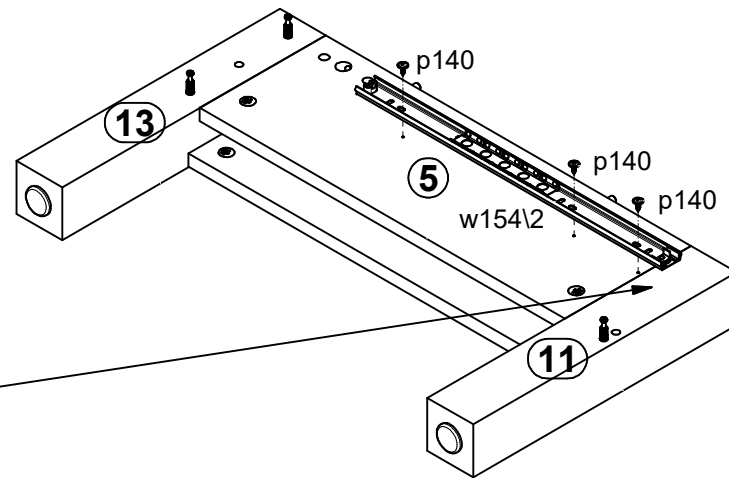
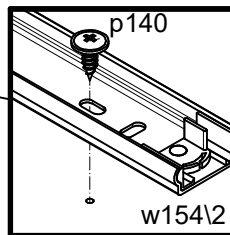
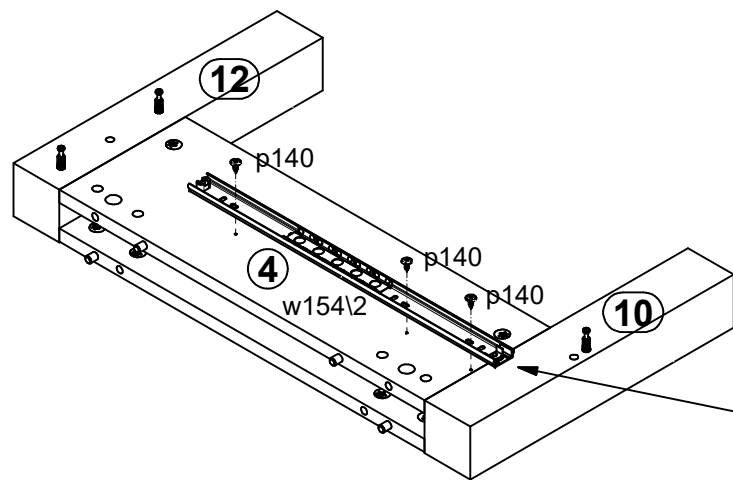
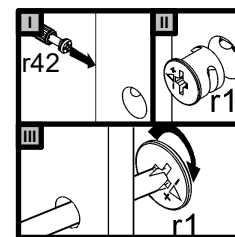
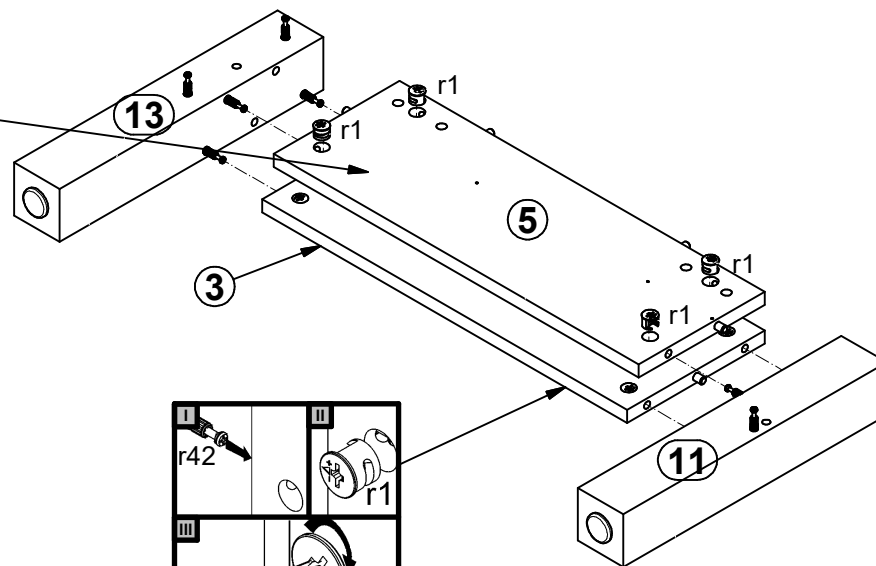
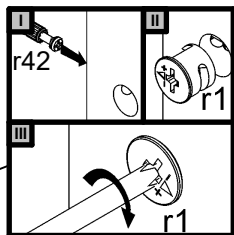
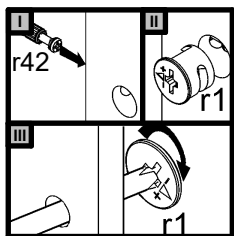
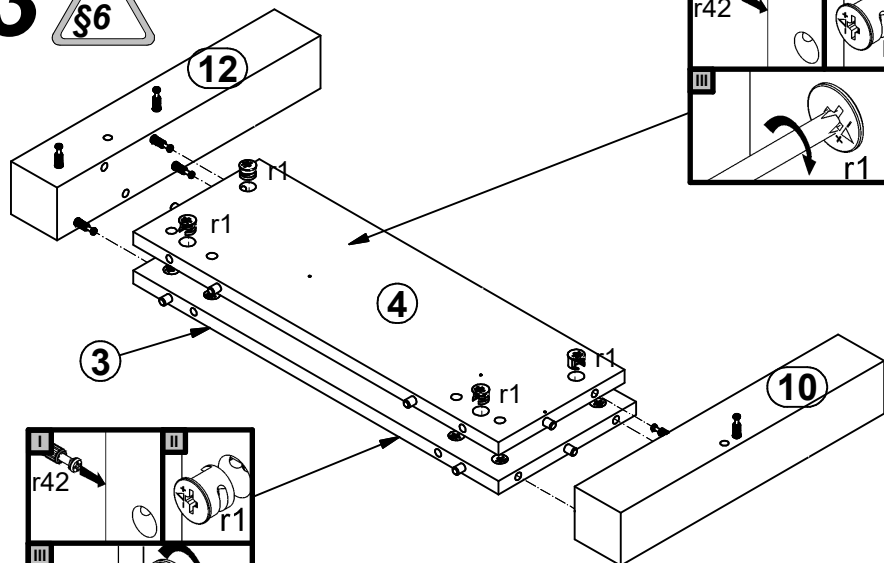
2x



11x Ø8x30 mm f1	4x k46	6x Ø3,5x12 mm p140
12x Ø15x12 mm #16 r1	18x 20/11 r42	2x 400/670 mm w154\2

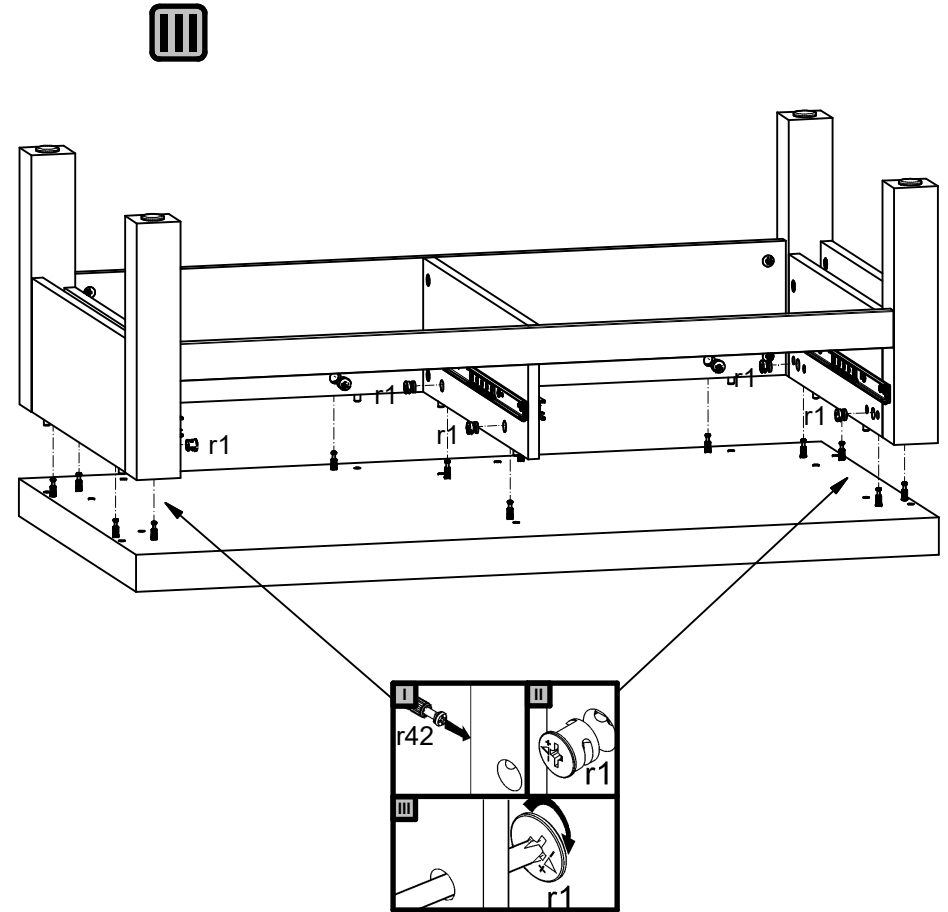
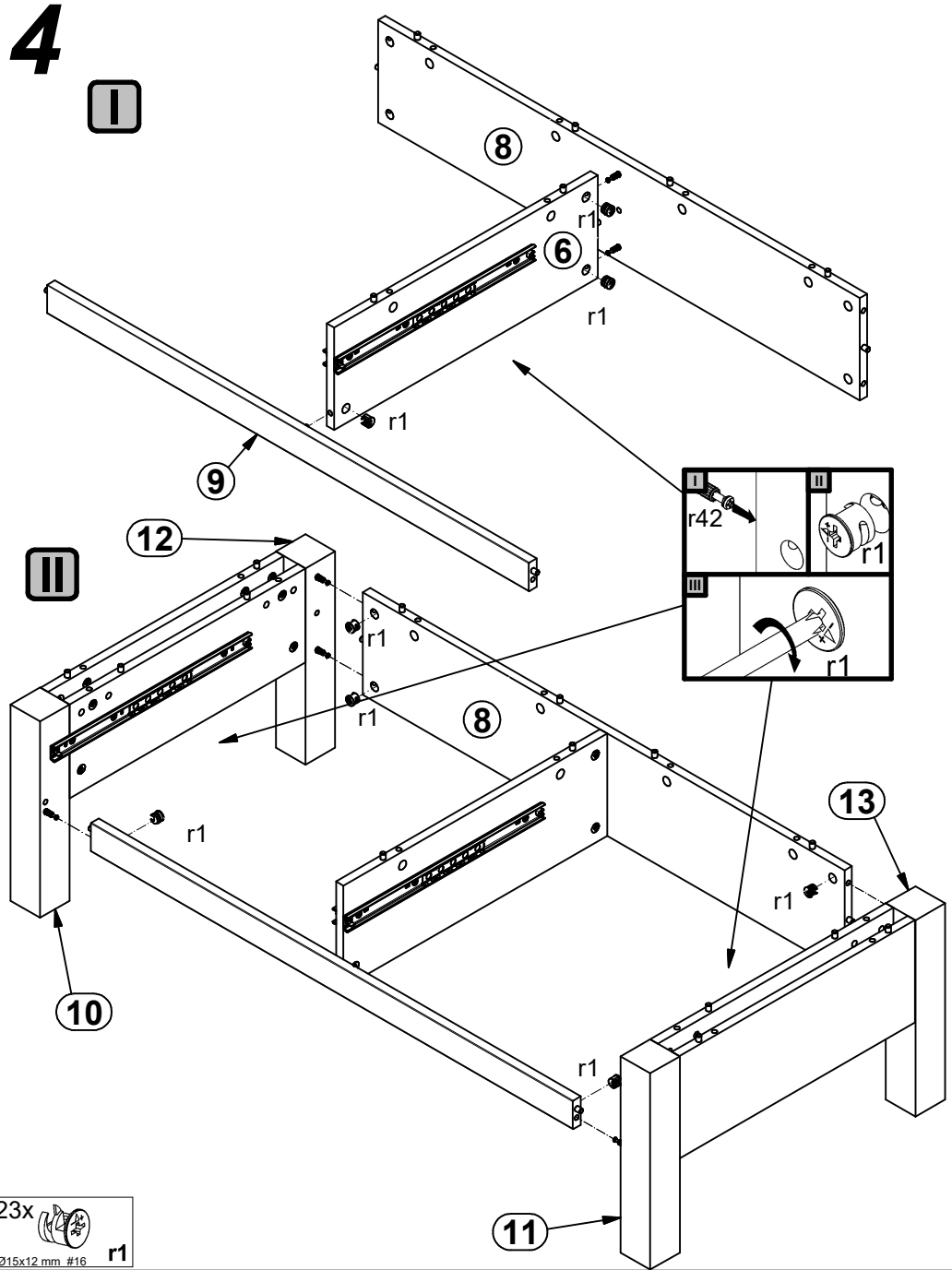



3 



- 6x  p140 Ø3.5x12 mm
- 8x  r1 Ø15x12 mm #16
- 2x  w154\2 400/670 mm

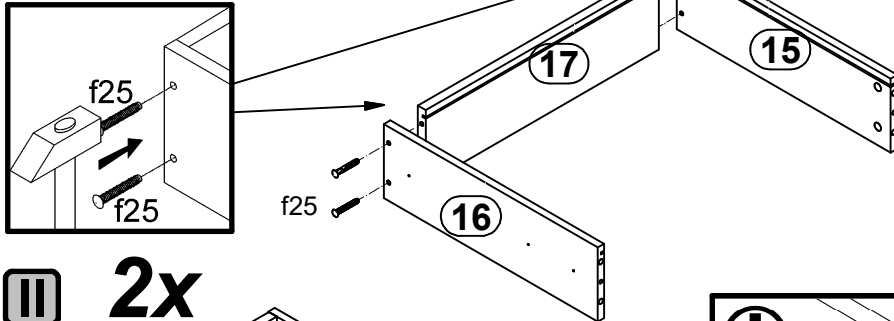
4



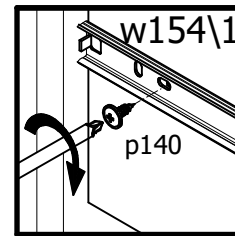
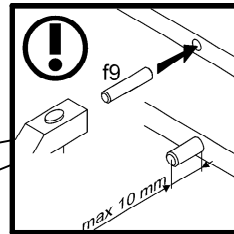
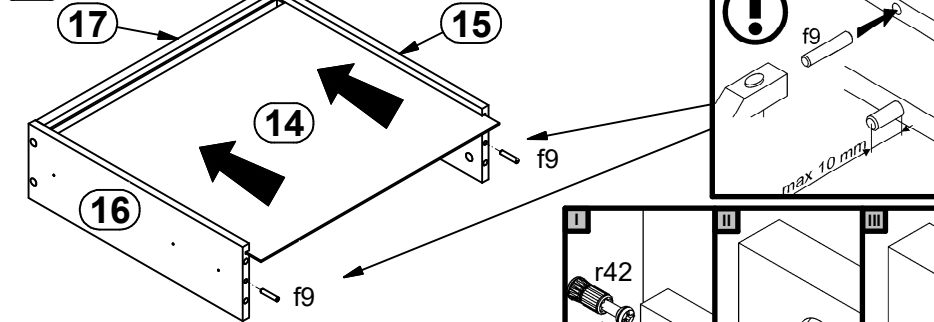
23x  r1
Ø15x12 mm #16

5

I 2x

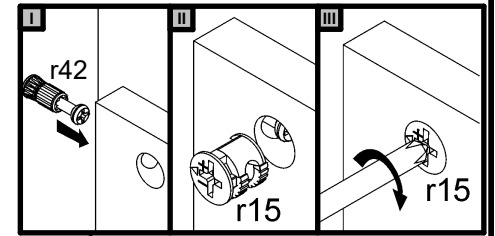
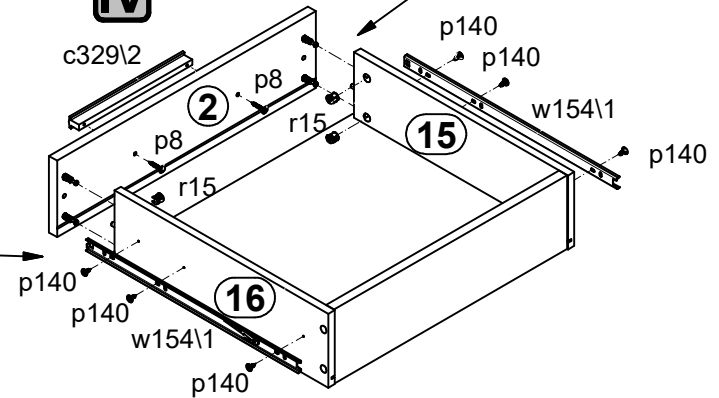


II 2x

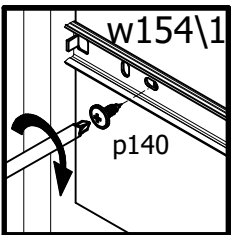
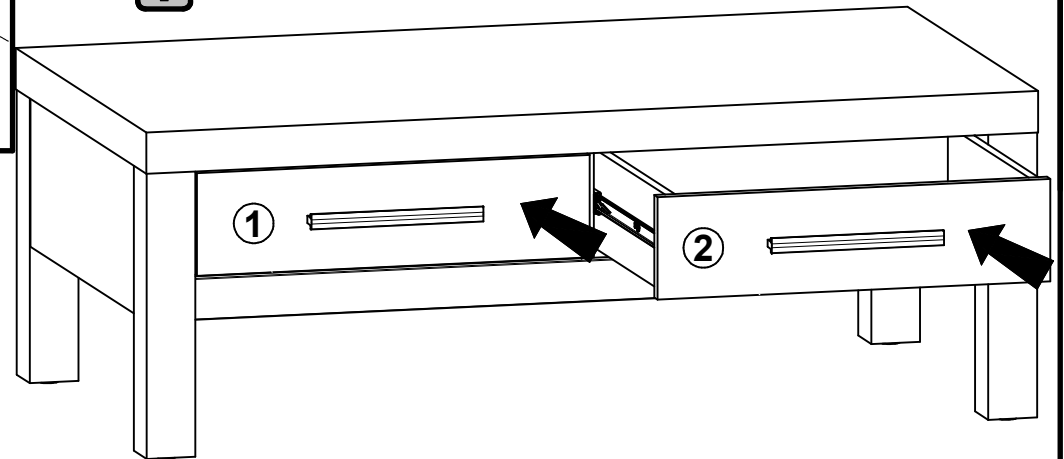


1x

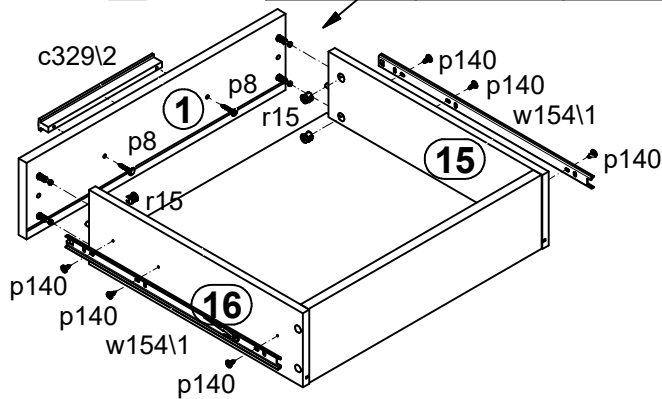
IV



V



1x



- 2x c329\2
- 4x f9
- 8x f25
- 4x p8
- 12x p140
- 8x r15
- 4x w154\1